

Spare parts catalogue

VOLVO

Engine

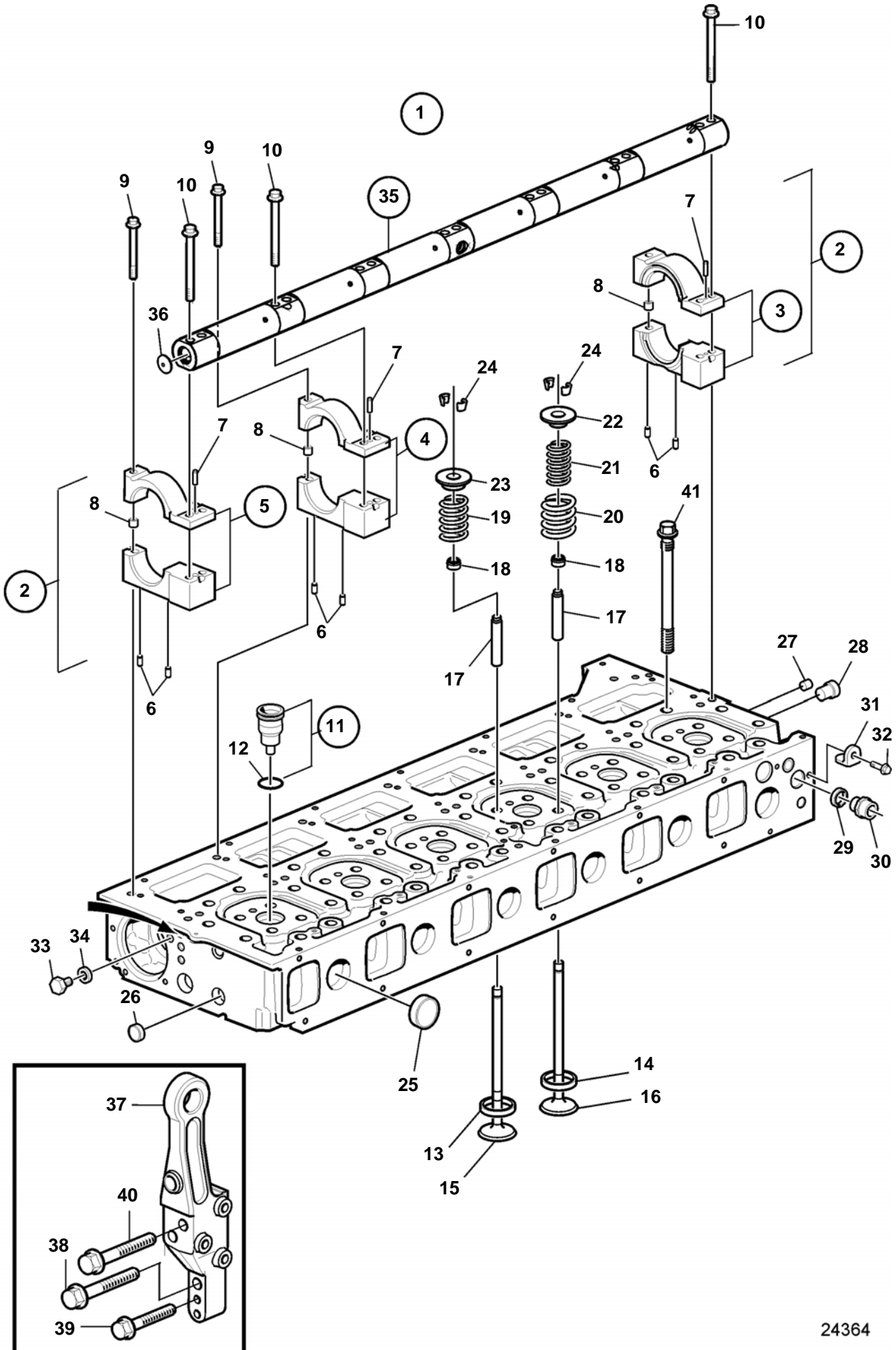
TWD1643GE

TAD1642GE

TAD1641GE

TAD1640GE

TAD1640GE, TAD1641GE, TAD1642GE

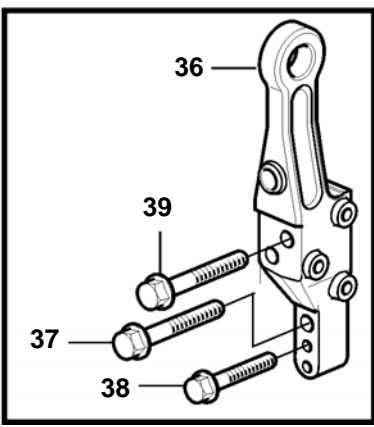
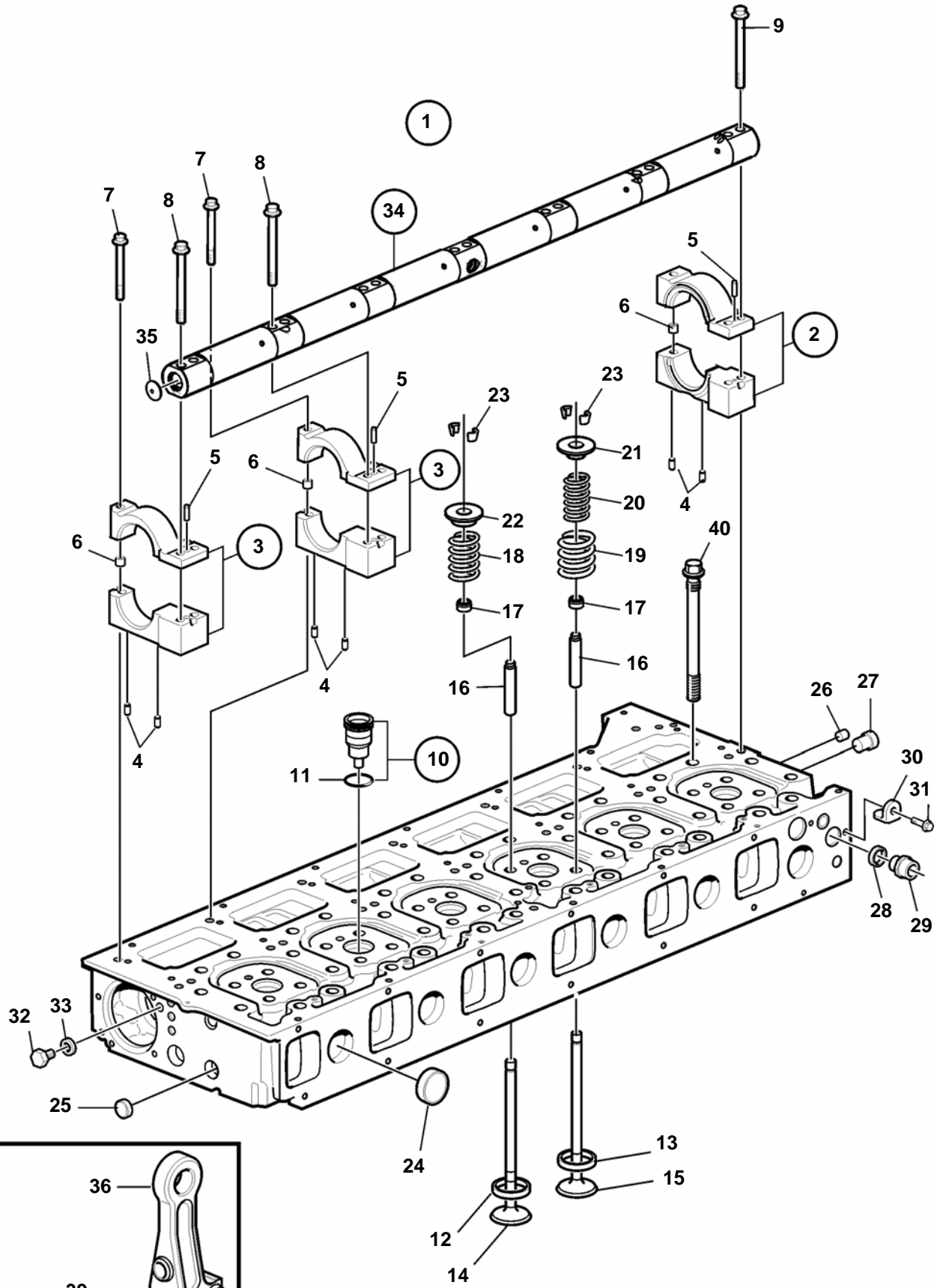


24364

TAD1640GE, TAD1641GE, TAD1642GE

REF	PART NO.	QTY	DESCRIPTION	NOTES
1	3803636	1	Cylinder head, exch	
2	3184068	1	· Bearing housing, set	When replacing one or more bearing houses the first time, all of the bearing houses must be replaced. Then each bearing house can be replaced separat
3	3184012	1	· · Bearing housing	When replacing one or more bearing houses the first time, all of the bearing houses must be replaced. Then each bearing house can be replaced separat
4	3184015	5	· · · Bearing housing	When replacing one or more bearing houses the first time, all of the bearing houses must be replaced. Then each bearing house can be replaced separat
5	3184018	1	· · · Bearing housing	When replacing one or more bearing houses the first time, all of the bearing houses must be replaced. Then each bearing house can be replaced separat
6	422426	14	· · · · Pin	
7	950550	7	· · · · Pin	
8	1546484	7	· · · · Sleeve	
9	975105	7	· Flange screw	
10	20533693	14	· Flange screw	
11	21098621	6	· Spray sleeve	
12	20536487	6	· · O-ring	(3165747)
13	3965955	12	· Valve seat	
14	8131798	12	· Valve seat	
15	20735572	12	· Inlet valve	
16	20513285	12	· Exhaust valve	
17	20562837	24	· Valve guide	
18	8131799	24	· Valve stem seal	
19	8131229	12	· Valve spring	
20	8131836	12	· Valve spring	
21	8131837	12	· Valve spring	
22	20551396	12	· Valve spring washer	
23	20551394	12	· Valve spring washer	
24	8170995	48	· Valve cotter	
25	8130035	12	· Cap plug	
26	8131706	4	· Cap plug	
27	968062	1	· Plug	
28	20496040	1	· Cap plug	
29	1547252	1	· Sealing ring	
30	1546528	1	· Plug	
31	1546531	1	· Lock brace	
32	947107	1	· Flange screw	
33	960628	1	· Plug	
34	947281	1	· Gasket	
35	8131192	1	Rocker arm shaft	
36	955096	2	· Plug	
37		1	Lifting eye	
38	965193	1	Screw	
39	973924	1	Flange screw	
40	965196	2	Screw	
41	1547040	38	Screw	L=187mm

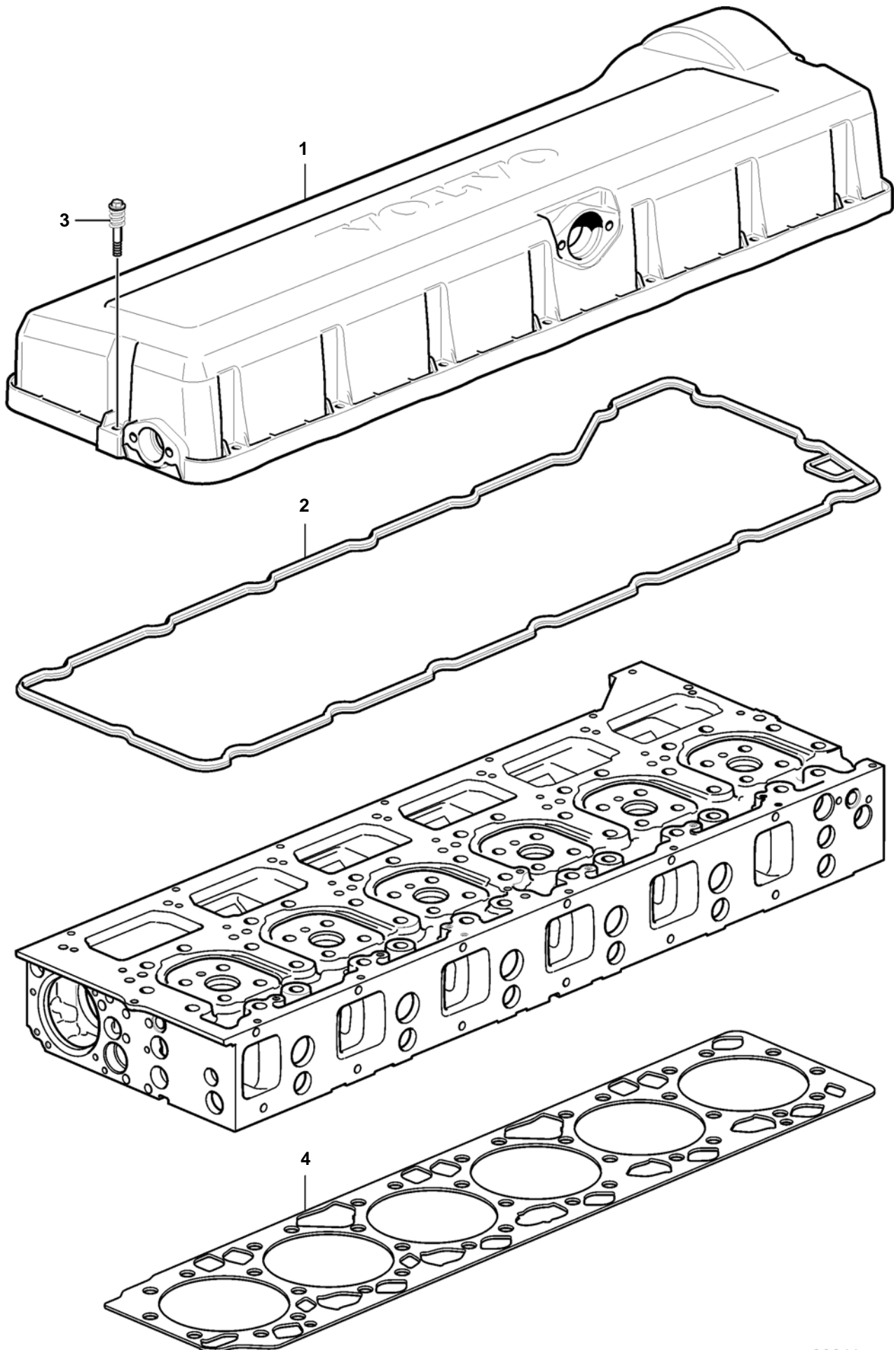
TAD1640GE, TAD1641GE, TAD1642GE, TWD1643GE



TAD1640GE, TAD1641GE, TAD1642GE, TWD1643GE

REF	PART NO.	QTY	DESCRIPTION	NOTES
1	3801139	1	Cylinder head, exch	
2	20946876	1	· Bearing housing	
3	20946882	6	· Bearing housing	
4	422426	14	· · Pin	
5	950550	6	· · Pin	
6	1546484	7	· · Sleeve	
7	975105	7	· Flange screw	
8	20533693	12	· Flange screw	
9	20412482	1	· Flange screw	
10	85104134	6	· Copper sleeve kit	
11	20536487	6	· · O-ring	(3165747)
12	20709467	12	· Valve seat, intake	
13	20564028	12	· Valve seat, exhaust	
14	20739057	12	· Inlet valve	
15	20513285	12	· Exhaust valve	
16	20916916	24	· Valve guide	
17	20924435	24	· Valve stem seal	
18	8131229	12	· Valve spring	
19	8131836	12	· Valve spring	
20	8131837	12	· Valve spring	
21	20551396	12	· Valve spring washer	
22	20551394	12	· Valve spring washer	
23	8170995	48	· Valve cotter	
24	24426721	16	· Cap plug	D=29mm
	24426723	6	· Cap plug	D=50mm
25	24426722	6	· Cap plug	D=40mm
26	968062	1	· Plug	
27	20496040	1	· Cap plug	
28	1547252	2	· Sealing ring	
29	20845995	2	· Plug	
30	1546531	1	· Lock brace	
31	947107	1	· Flange screw	
32	960628	1	· Plug	M10
	966142	1	· Plug	M12
33	947281	1	· Gasket	FOR 966142
	11994	1	· Gasket	FOR 960628
34	24426580	1	Rocker arm shaft	
35	955096	2	· Plug	
36		1	Lifting eye	
37	965193	1	Screw	
38	973924	1	Flange screw	
39	965196	2	Screw	
40	1547040	38	Screw	L=187mm

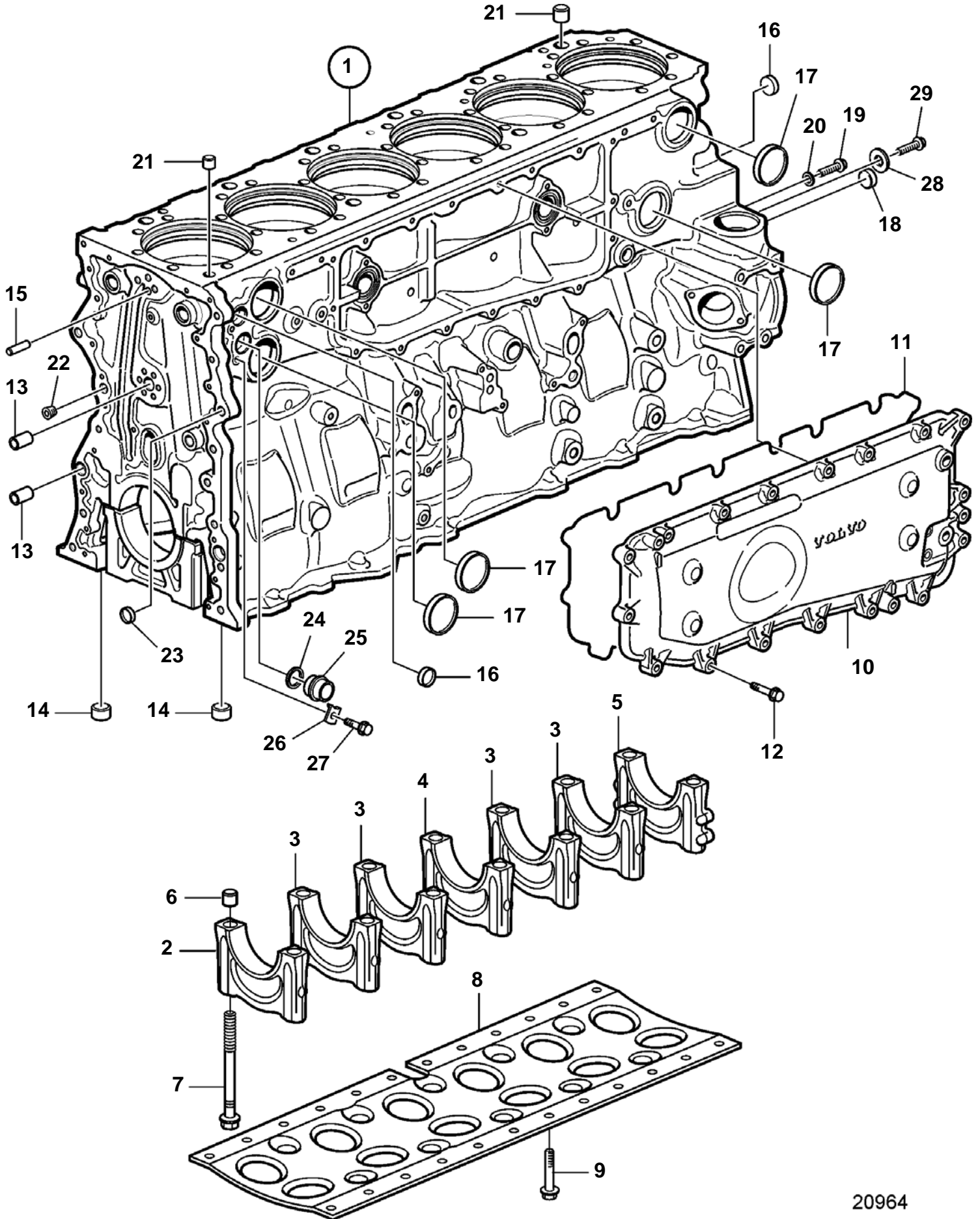
TAD1640GE, TAD1641GE, TAD1642GE



TAD1640GE, TAD1641GE, TAD1642GE

REF	PART NO.	QTY	DESCRIPTION	NOTES
1	20709580	1	Valve cover	
2	20736230	1	Sealing strip	
3	20463185	17	Flange screw	
4	20738123	1	Cyl.head.gasket	SN-2016010024
	20725045	1	Cyl.head.gasket	SN2016010025-

TAD1640GE, TAD1641GE, TAD1642GE

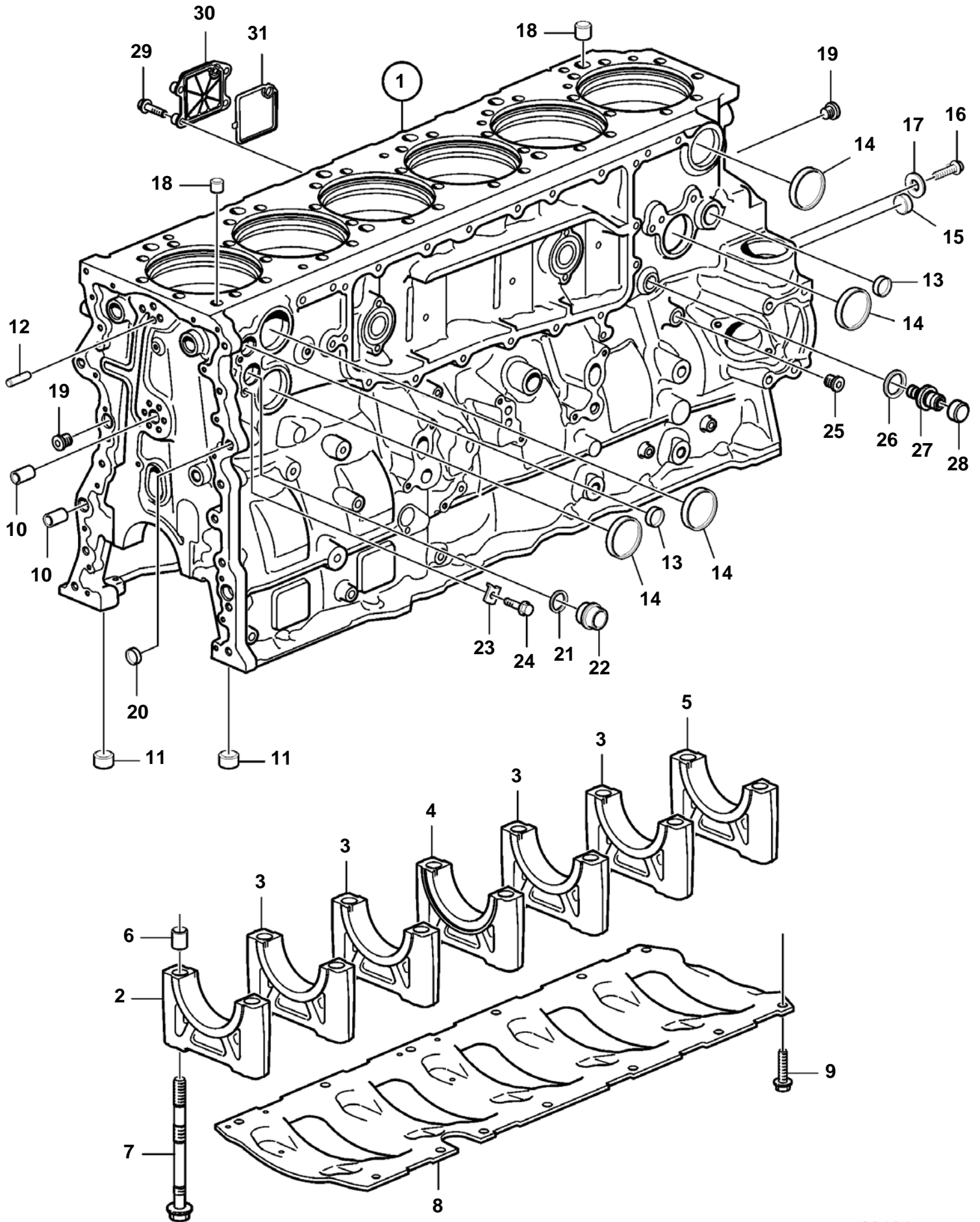


20964

TAD1640GE, TAD1641GE, TAD1642GE

REF	PART NO.	QTY	DESCRIPTION	NOTES
1	20521356	1	Cylinder block	
2		1	· Main bearing cap	
3		4	· Main bearing cap	
4		1	· Main bearing cap	
5		1	· Main bearing cap	
6		14	· Guide sleeve	
7	20581443	14	· Flange screw	(1543412)
8	20722628	1	Frame	
9	975110	13	Flange screw	
10	20581617	1	Cover	
11	8131070	1	Sealing strip	
12	947760	16	Flange screw	
13	8131145	2	Guide sleeve	
14	417588	2	Guide sleeve	
15	950588	1	Pin	
16	1546528	1	Plug	
17	8131937	4	Cap plug	
18	20562189	2	Plug	
19	966378	1	Flange screw	M8x16mm
20	976944	1	Washer	
21	20485996	2	Guide sleeve	
22	20529445	2	Plug	
23	20562189	1	Plug	
24	471708	1	Sealing ring	
25	20381177	1	Plug	
26	1546531	1	Lock brace	
27	946440	1	Flange screw	
28	976944	1	Washer	
29	966378	1	Flange screw	

TAD1640GE, TAD1641GE, TAD1642GE, TWD1643GE

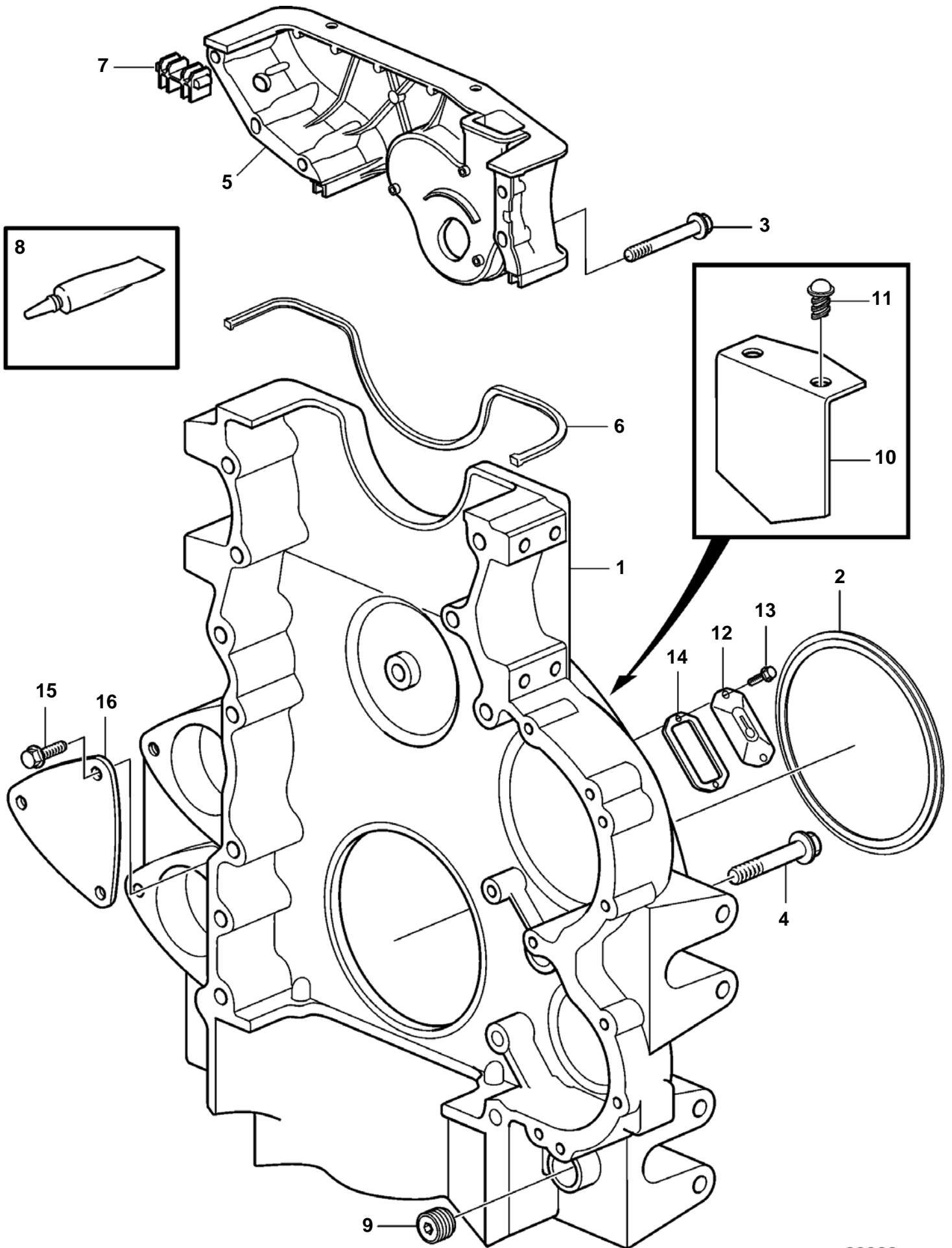


23131

TAD1640GE, TAD1641GE, TAD1642GE, TWD1643GE

REF	PART NO.	QTY	DESCRIPTION	NOTES
1	20742700	1	Cylinder block	
2		1	· Main bearing cap	
3		4	· Main bearing cap	
4		1	· Main bearing cap	
5		1	· Main bearing cap	
6		14	· Guide sleeve	
7	20581443	14	· Flange screw	(1543412)
8	20722628	1	Frame	
9	975110	13	Flange screw	
10	8131145	2	Guide sleeve	
11	417588	2	Guide sleeve	
12	950588	1	Pin	
13	20845995	1	Plug	
14	8131937	4	Cap plug	
15	20562189	2	Plug	
16	966378	1	Flange screw	M8x16mm
17	976944	1	Washer	
18	20485996	2	Guide sleeve	
19	20529445	2	Plug	
20	20562189	1	Plug	
21	471708	1	Sealing ring	
22	20381177	1	Plug	
23	20718731	1	Lock brace	
24	946440	1	Flange screw	
25	984793	1	Plug	
26	979099	1	Gasket	
27	1676622	1	Draining nippel	
28	476279	1	Protective cap	
29	945444	4	Flange screw	
30	20533497	1	Cover	
31	20532891		Seal	

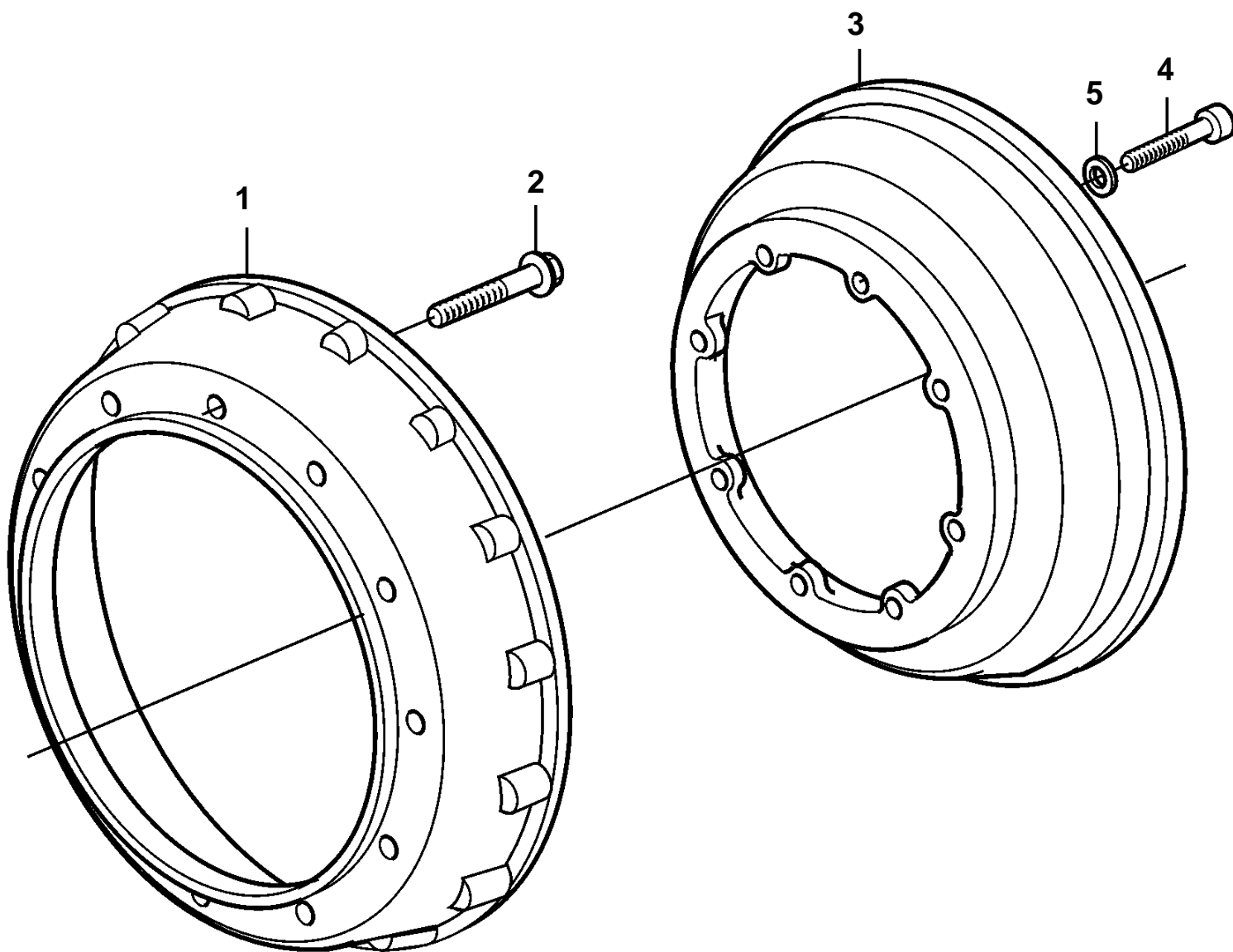
TAD1640GE, TAD1641GE, TAD1642GE, TWD1643GE



TAD1640GE, TAD1641GE, TAD1642GE, TWD1643GE

REF	PART NO.	QTY	DESCRIPTION	NOTES
1	3829060	1	Flywheel housing	
2	85108352	1	Sealing ring	(1543896)
3	947760	4	Flange screw	L=40mm
	965180	1	Flange screw	L=40mm
4	965189	5	Flange screw	M10x90mm
	966366	6	Flange screw	M14x90mm
	966367	1	Flange screw	M14x100mm
5	20853452	1	Timing gear cover	
6	20747434	1	Sealing strip	
7	20572441	2	Seal	
8	1161231	X	Sealant	304ml
	1161277	X	Sealant	20g
9	467367	1	Plug	
10	849405	1	Setting indicator	
11	905654	2	Rivet	
12	4772168	1	Cover	
13	946934	2	Hexagon screw	
14	4804167	1	Gasket	
15	946502	7	Screw	
16	849135	1	Cover	

TAD1640GE, TAD1641GE, TAD1642GE, TWD1643GE

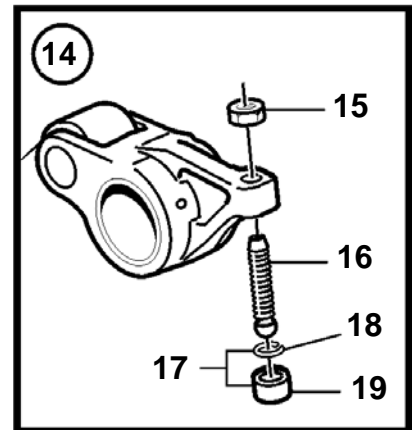
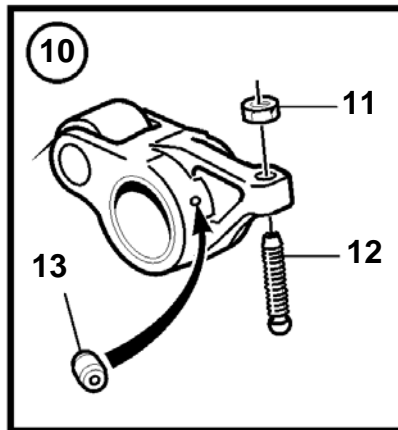
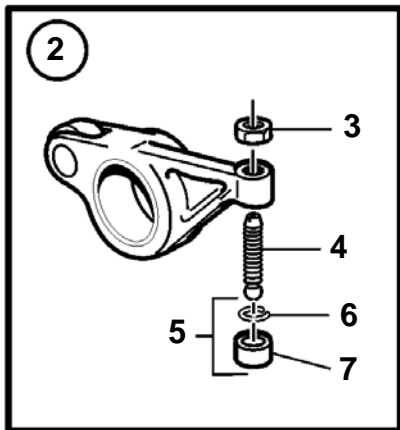
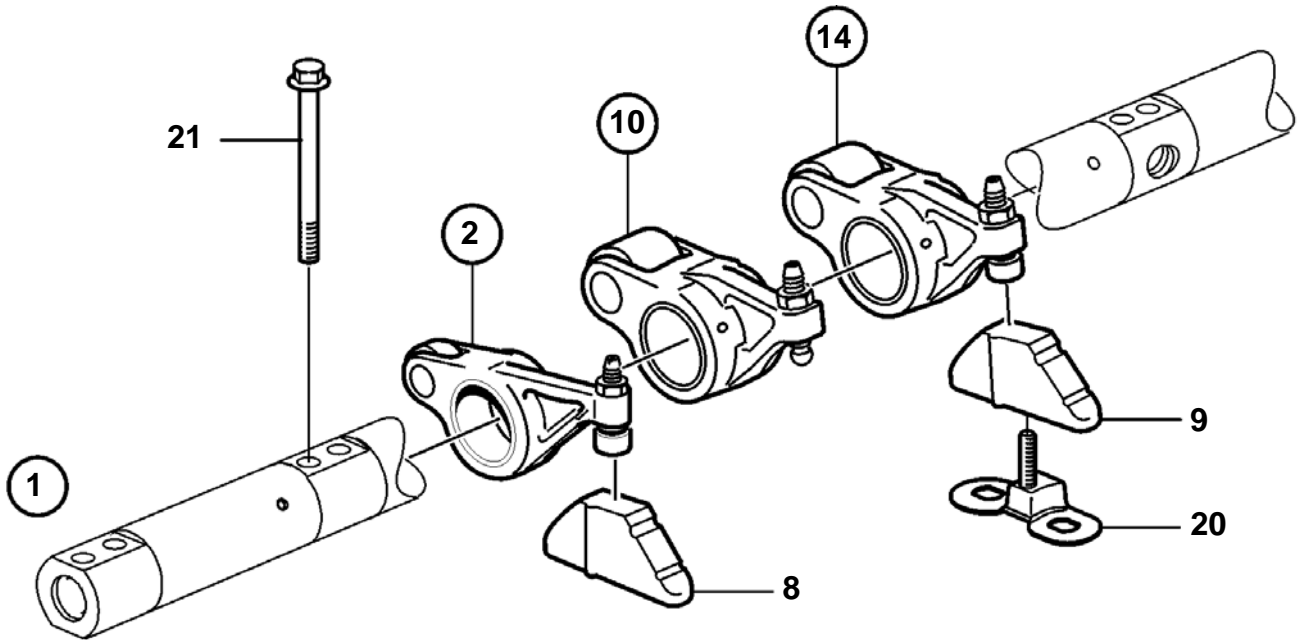


20889

TAD1640GE, TAD1641GE, TAD1642GE, TWD1643GE

REF	PART NO.	QTY	DESCRIPTION	NOTES
1	3826138	1	Adapter, flywheel cover	From SAE 1 to SAE 0.
2	946752	12	Flange screw	
3	3826137	1	Adapter, flywheel	From SAE 1 to SAE 0.
4	963273	8	Screw	
5	955896	8	Washer	

TAD1640GE, TAD1641GE, TAD1642GE

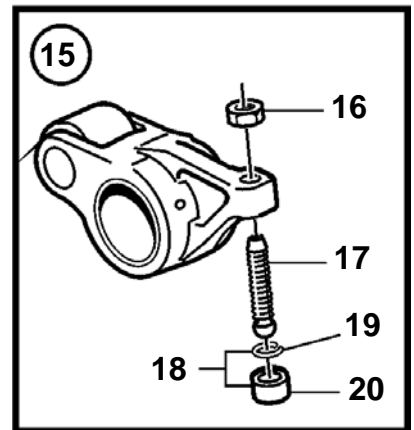
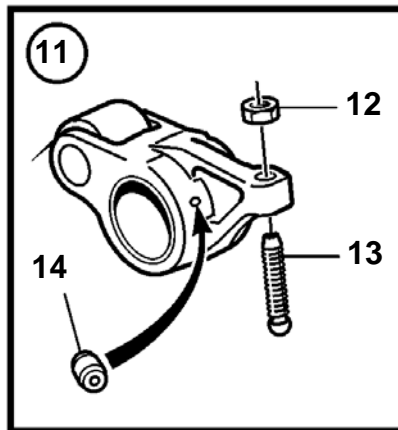
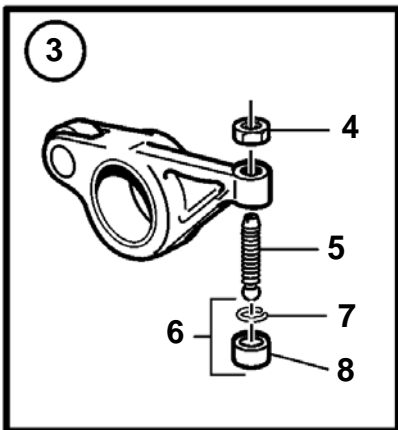
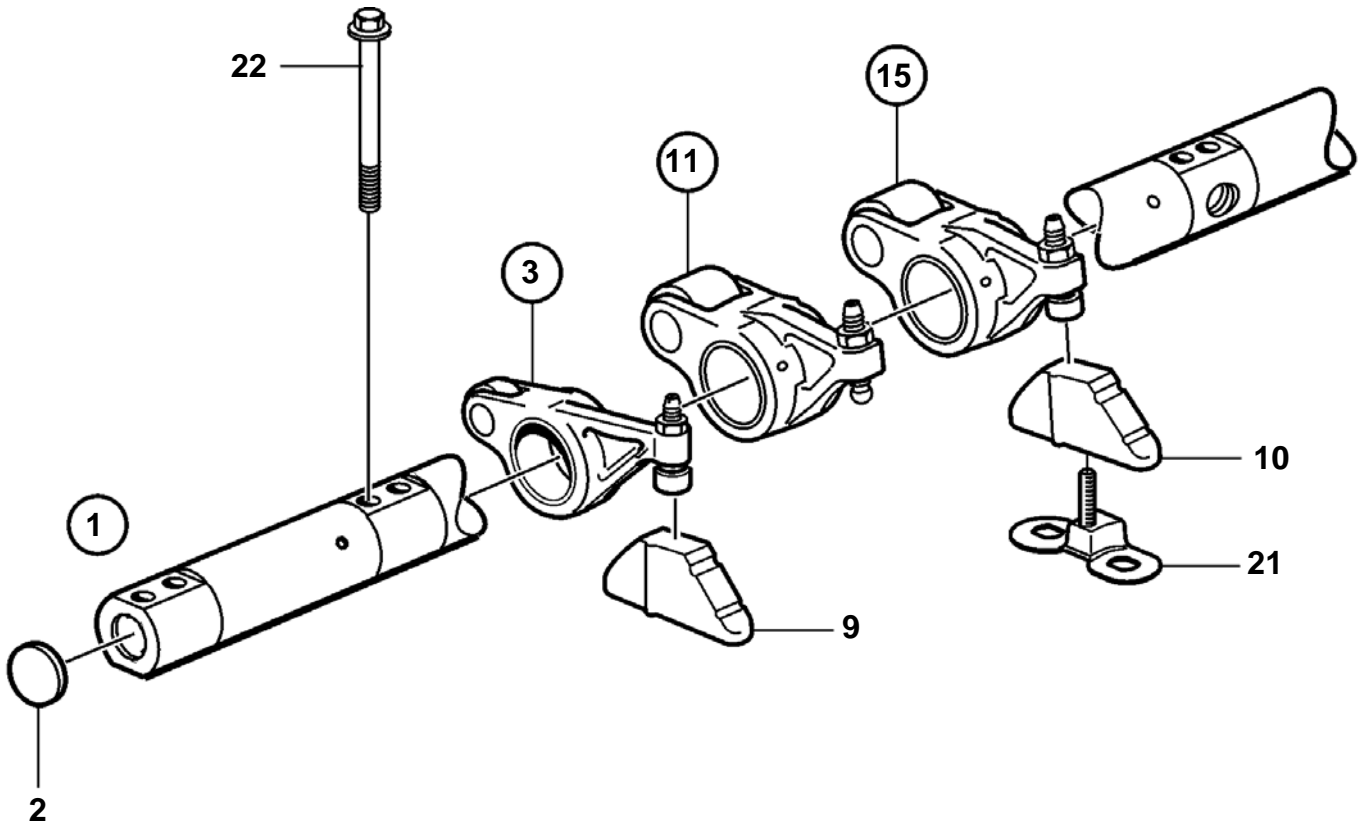


24362

TAD1640GE, TAD1641GE, TAD1642GE

REF	PART NO.	QTY	DESCRIPTION	SEE SEC.	NOTES
1			Rocker arm shaft	7631	SN-2016010024
			Rocker arm shaft	21772	SN2016010025-
2	20888104	6	Rocker arm, intake		SN-2016010024
	20887766	6	Rocker arm, intake		SN2016010025-
3	946911	1	· Nut		
4		1	· Adjusting screw		
5	20441753	1	· Ball socket		
6	944364	1	· · O-ring		
7		1	· · Ball seat		
8	20554106	6	Valve caliper, intake		
9	20857578	6	Valve caliper, exhaust		(20554103)
10	20888119	6	Rocker arm, fuel injector		
11	1677396	1	· Nut		
12		1	· Adjusting screw		
13	3964817	1	· Nozzle		
14	20888089	6	Rocker arm, exhaust		
15	946911	1	· Nut		
16		1	· Adjusting screw		
17	20441753	1	· Ball socket		
18	944364	1	· · O-ring		
19		1	· · Ball seat		
20	20554268	12	Guide pin		
21	20533693	14	Flange screw		

TWD1643GE

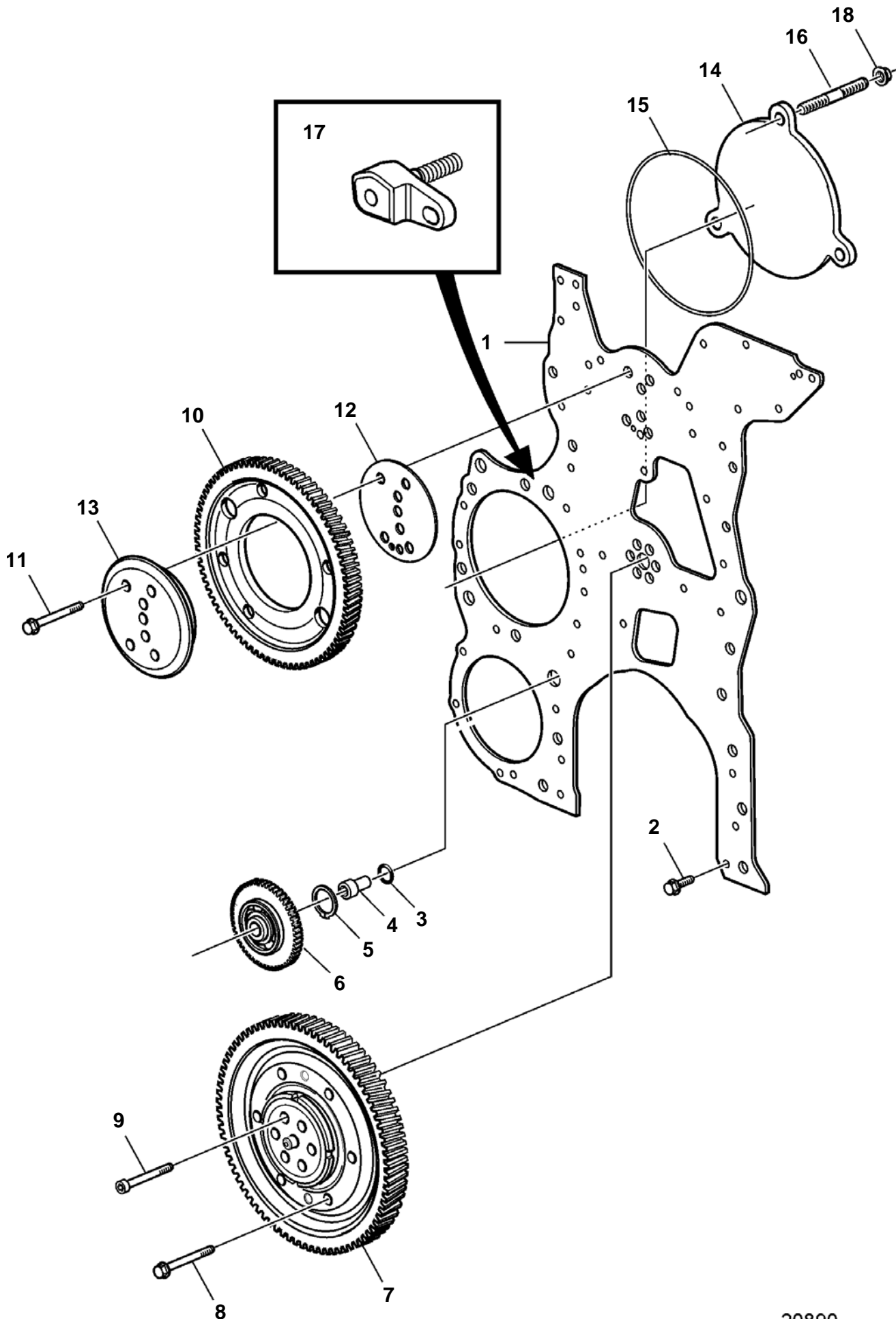


20887

TWD1643GE

REF	PART NO.	QTY	DESCRIPTION	NOTES
1	24426580	1	Rocker arm shaft	
2	955096	2	· Plug	(980176)
3	20887766	6	Rocker arm, intake	
4	946911	1	· Nut	
5		1	· Adjusting screw	
6	20441753	1	· Ball socket	
7	944364	1	· · O-ring	
8		1	· · Ball seat	
9	20554106	6	Valve caliper, intake	
10	20857578	6	Valve caliper, exhaust	(20554103)
11	20888119	6	Rocker arm, fuel injector	
12	1677396	1	· Nut	
13		1	· Adjusting screw	
14	3964817	1	· Nozzle	
15	20888089	6	Rocker arm, exhaust	
16	946911	1	· Nut	
17		1	· Adjusting screw	
18	20441753	1	· Ball socket	
19	944364	1	· · O-ring	
20		1	· · Ball seat	
21	20554268	12	Guide pin	
22	20533693	14	Flange screw	

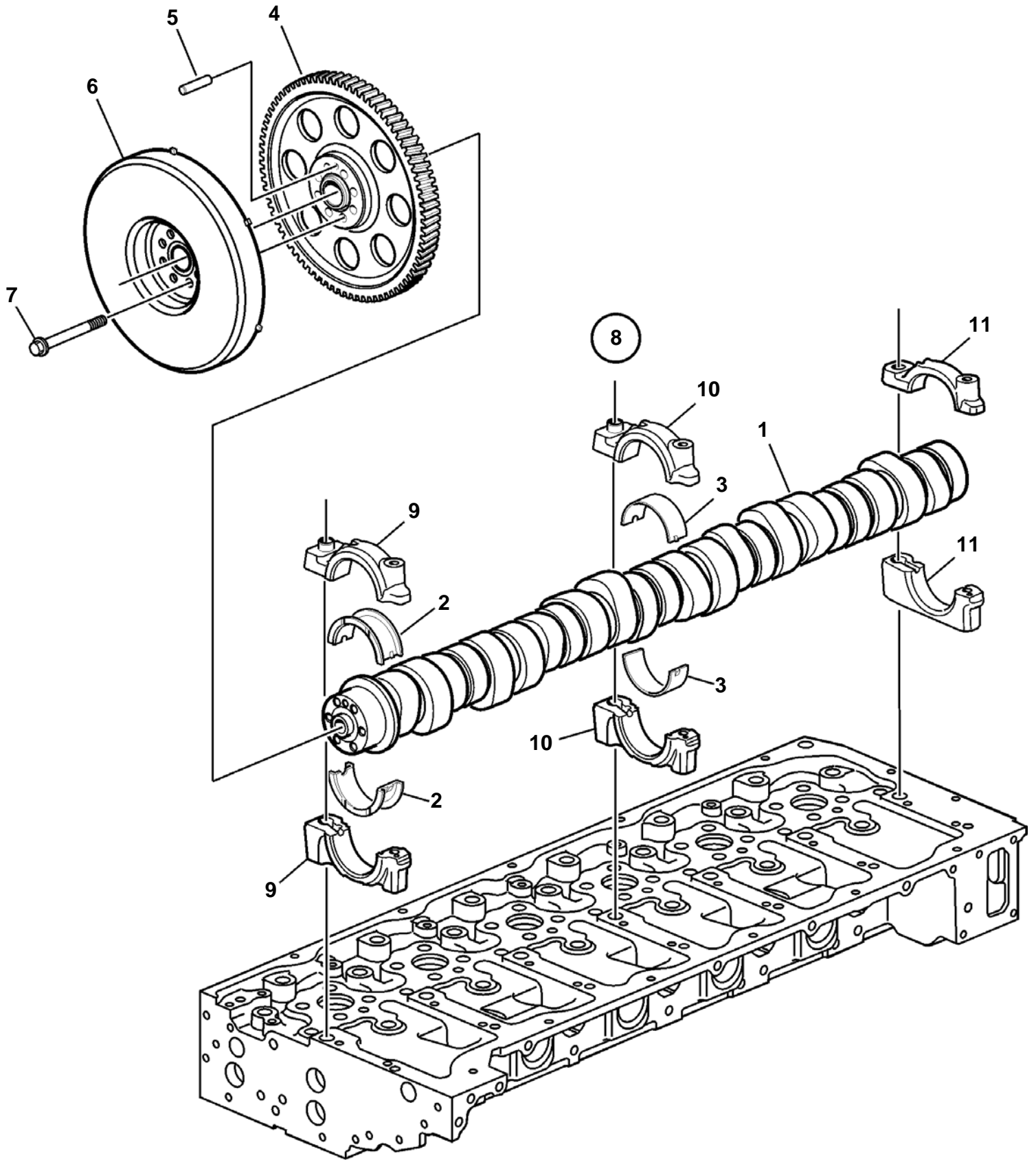
TAD1640GE, TAD1641GE, TAD1642GE, TWD1643GE



TAD1640GE, TAD1641GE, TAD1642GE, TWD1643GE

REF	PART NO.	QTY	DESCRIPTION
1	20854044	1	Plate
2	966378	26	Flange screw
3	949656	1	O-ring
4		1	Shaft
5	914465	1	Lock ring
6	20867135	1	Idler gear
7	21057442	1	Idler gear
8	471586	6	Screw
9	20483919	6	Allen head screw
10	8131123	1	Idler gear
11	20477171	6	Screw
12	8131850	1	Thrust washer
13	20520535	1	Hub
14	3589530	1	Cover
15	948977	1	O-ring
16	953102	2	Stud
17	20531962	1	Anchorage
18	979230	3	Flange nut

TAD1640GE, TAD1641GE, TAD1642GE

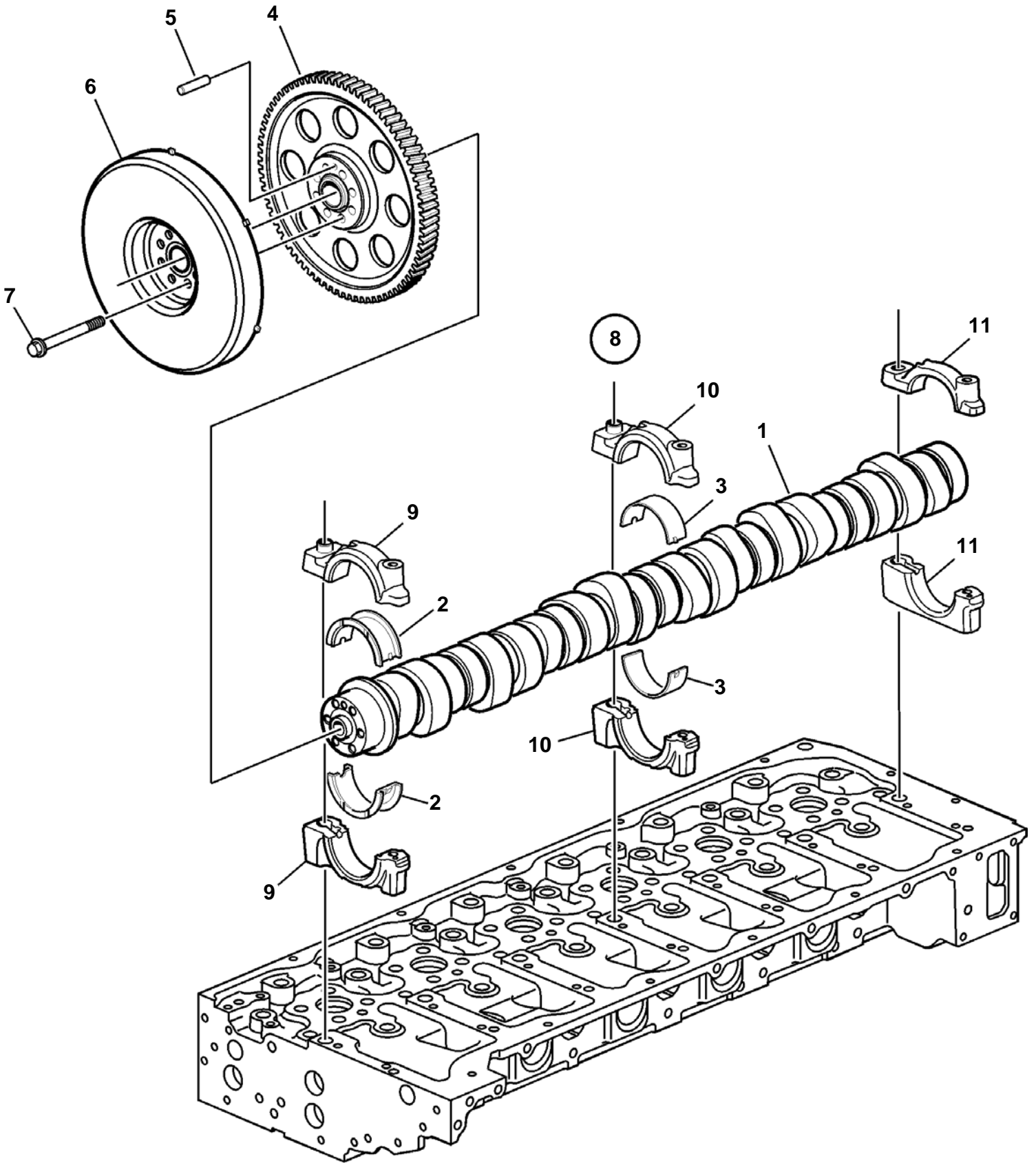


20012

TAD1640GE, TAD1641GE, TAD1642GE

REF	PART NO.	QTY	DESCRIPTION	NOTES
1	20894565	1	Camshaft	SN2016010025-
	3829188	1	Camshaft	SN-2016010024
2	20756108	1	Camshaft bearing kit	STD SN2016010025-
	20503200	1	Camshaft bearing kit	STD SN-2016010024
	20503201	1	Camshaft bearing kit	O.S=0,25mm
	20503202	1	Camshaft bearing kit	O.S=0,50mm
	20503203	1	Camshaft bearing kit	O.S=0,75mm
3	21006103	6	Camshaft bearing kit	STD SN2016010025-
	276630	6	Camshaft bearing kit	STD SN-2016010024
	276631	6	Camshaft bearing kit	O.S=0,25mm
	276632	6	Camshaft bearing kit	O.S=0,50mm
	276633	6	Camshaft bearing kit	O.S=0,75mm
4	8131386	1	Gear	
5	950551	1	Pin	
6	20450049	1	Vibration damper	
7	8131597	8	Flange screw	
8	3184068	1	Bearing housing	When replacing one or more bearing houses the first time, all of the bearing houses must be replaced. Then each bearing house can be replaced separat
9	3184012	1	• Bearing housing, rear	
10	3184015	5	• Bearing housing, no. 2-6	
11	3184018	1	• Bearing housing, front	

TWD1643GE

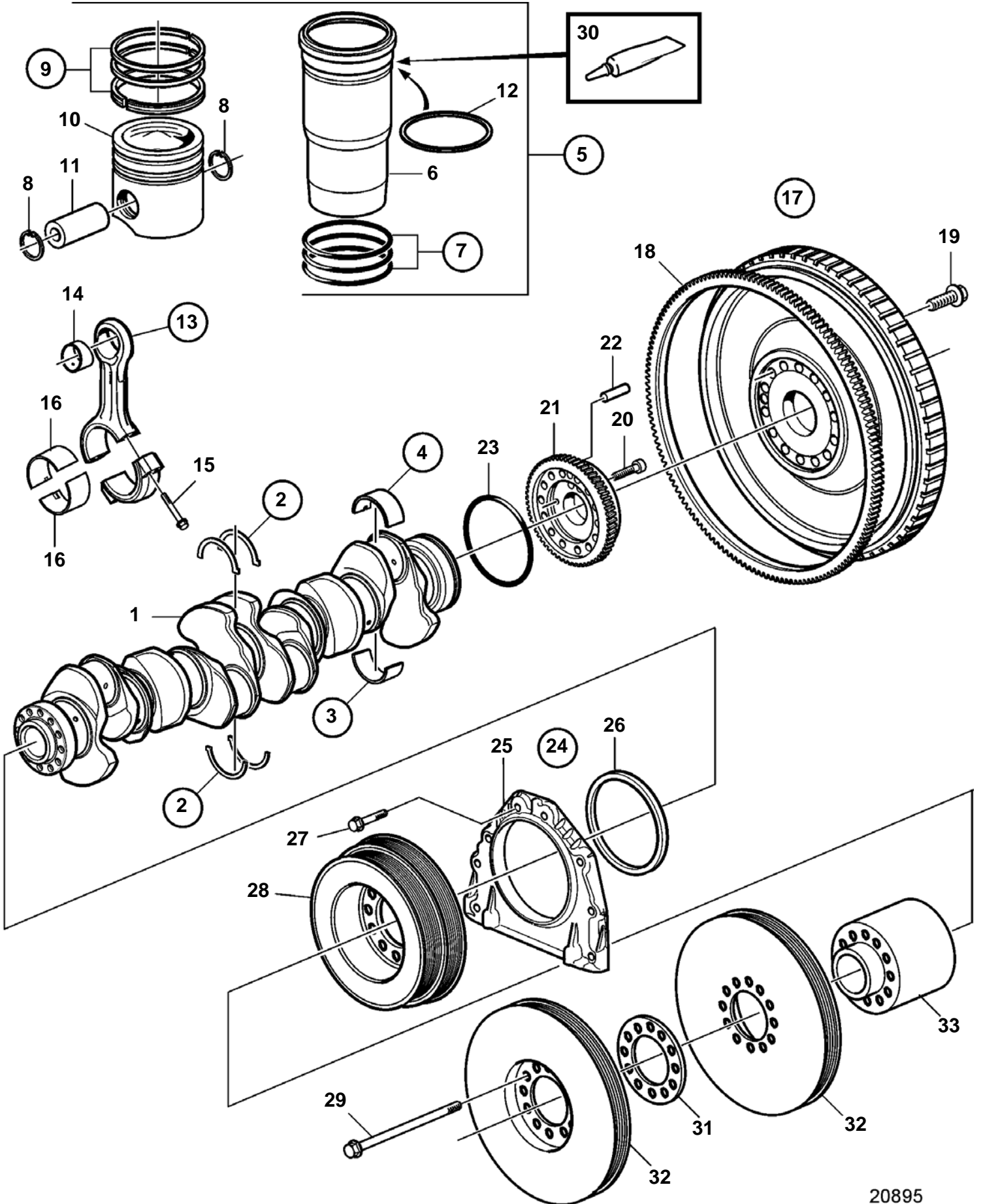


20012

TWD1643GE

REF	PART NO.	QTY	DESCRIPTION	NOTES
1	3594958	1	Camshaft	
2	21006109	1	Camshaft bearing kit	STD, Rear
3	21006103	6	Camshaft bearing kit	Std, Cylinder 2-6
4	8131386	1	Gear	
5	950551	1	Pin	
6	20450049	1	Vibration damper	
7	8131597	8	Flange screw	
8	3184068	1	Bearing housing	When replacing one or more bearing houses the first time, all of the bearing houses must be replaced. Then each bearing house can be replaced separat
9	3184012	1	· Bearing housing, rear	
10	3184015	5	· Bearing housing, no. 2-6	
11	3184018	1	· Bearing housing, front	

TAD1640GE

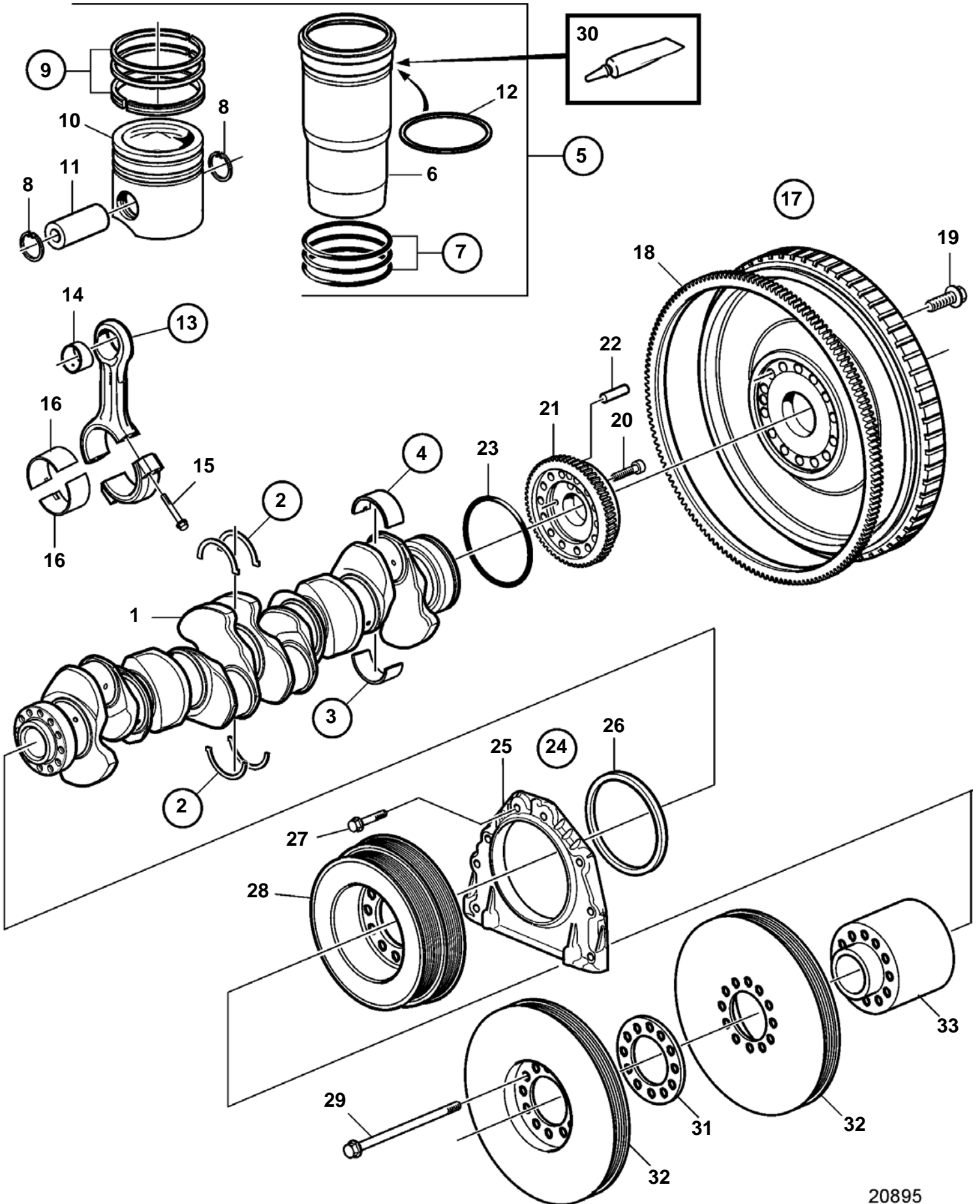


20895

TAD1640GE

REF	PART NO.	QTY	DESCRIPTION	NOTES
1	8131247	1	Crankshaft	
2	270929	1	Thrust washer kit	Std
	270930	1	Thrust washer kit	O.S=0,10mm
	270931	1	Thrust washer kit	O.S=0,20mm
	270932	1	Thrust washer kit	O.S=0,30mm
3	20586595	7	Main bearing kit	SN-002476., Std
	20578851	6	Main bearing kit	SN002477-., Std
	20586596	7	Main bearing kit	SN-002476., O.S=0,25mm
	20700881	6	Main bearing kit	SN002477-., O.S=0,25mm
	20586597	7	Main bearing kit	SN-002476., O.S=0,50mm
	20700882	6	Main bearing kit	SN002477-., O.S=0,50mm
		7	Main bearing kit	SN-002476., O.S=0,75mm
		6	Main bearing kit	SN002477-., O.S=0,75mm
	20586599	7	Main bearing kit	SN-002476., O.S=1,00mm
	20700886	6	Main bearing kit	SN002477-., O.S=1,00mm
		7	Main bearing kit	SN-002476., O.D=1,25mm
		6	Main bearing kit	SN002477-., O.S=1,25mm
4	20578853	1	Main bearing kit	SN002477- Bearing no 7., Std
	20700890	1	Main bearing kit	SN002477- Bearing no 7., O.S=0,25mm
	20700891	1	Main bearing kit	SN002477- Bearing no 7., O.S=0,50mm
		1	Main bearing kit	SN002477- Bearing no 7., O.S=0,75mm
	20700893	1	Main bearing kit	SN002477- Bearing no 7., O.S=1,00mm
		1	Main bearing kit	SN002477- Bearing no 7., O.S=1,25mm
5	3886754	6	Cylinder liner kit	(3589668)
6		6	· Cylinder liner	
7	20520607	6	· Sealing ring kit	
8	945483	12	· Snap ring	
9	3589667	6	· Piston ring kit	
10		6	· Piston	
11	8131232	6	· Piston pin	
12	20523555	X	Shim	TH = 0,2mm
	20523556	X	Shim	TH = 0,3mm
	20523557	X	Shim	TH=0,5mm
13	20898603	6	Connecting rod	
14	20898010	6	· Bushing	(8131244)
15	8131198	24	· Screw	
16	20586602	6	Big end bearing kit	Std
	20586603	6	Big end bearing kit	O.S=0,25mm
	20586604	6	Big end bearing kit	O.S=0,50mm
		6	Big end bearing kit	O.S=0,75mm
	20586606	6	Big end bearing kit	O.S=1,00mm
		6	Big end bearing kit	O.S=1,25mm
17	3837975	1	Flywheel	
18	20711957	1	· Gear ring	(8193939)
19	3155075	12	Flange screw	
20	947760	2	Flange screw	
21	20480505	1	Gear	
22	950658	1	Pin	
23	984127	1	O-ring	
24	20777233	1	Cover	(20513482)
25		1	· Cover	
26	1549398	1	· Crankshaft seal	
27	946671	8	Flange screw	
28	3837486	1	Pulley	
29	978447	12	Flange screw	
30	1161231	X	Sealant	304ml
	1161277	X	Sealant	20g
31	3838497	1	Spacer	
32	3586602	2	Vibration damper	
33	3838498	1	Adapter	

TAD1641GE, TAD1642GE

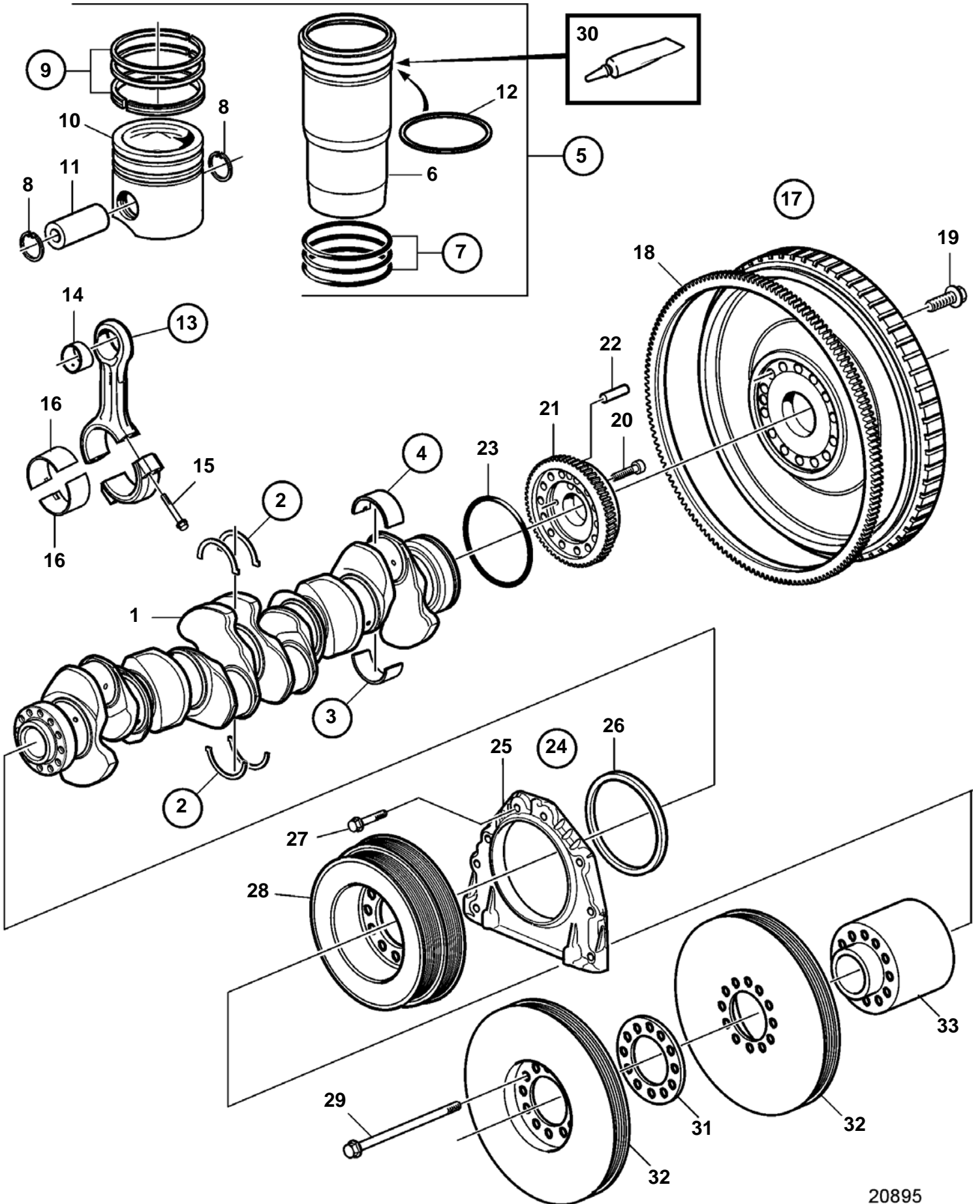


20895

TAD1641GE, TAD1642GE

REF	PART NO.	QTY	DESCRIPTION	NOTES
1	8131247	1	Crankshaft	
2	270929	1	Thrust washer kit	Std
	270930	1	Thrust washer kit	O.S=0,10mm
	270931	1	Thrust washer kit	O.S=0,20mm
	270932	1	Thrust washer kit	O.S=0,30mm
3	20586595	7	Main bearing kit	SN-002476., Std
	20578851	6	Main bearing kit	SN002477-., Std
	20586596	7	Main bearing kit	SN-002476., O.S=0,25mm
	20700881	6	Main bearing kit	SN002477-., O.S=0,25mm
	20586597	7	Main bearing kit	SN-002476., O.S=0,50mm
	20700882	6	Main bearing kit	SN002477-., O.S=0,50mm
		6	Main bearing kit	SN002477-., O.S=0,75mm
	20586599	7	Main bearing kit	SN-002476., O.S=1,00mm
	20700886	6	Main bearing kit	SN002477-., O.S=1,00mm
4	20578853	1	Main bearing kit	SN002477- Bearing no 7., Std
	20700890	1	Main bearing kit	SN002477- Bearing no 7., O.S=0,25mm
	20700891	1	Main bearing kit	SN002477- Bearing no 7., O.S=0,50mm
	20700893	1	Main bearing kit	SN002477- Bearing no 7., O.S=1,00mm
5	3886442	6	Cylinder liner kit	
6			· Cylinder liner	
7	20520607	6	· Sealing ring kit	
8	945483	12	· Snap ring	
9	3589667	6	· Piston ring kit	
10			· Piston	
11	8131232	6	· Piston pin	
12	20523555	X	Shim	TH = 0,2mm
	20523556	X	Shim	TH = 0,3mm
	20523557	X	Shim	TH=0,5mm
13	20898603	6	Connecting rod	
14	20898010	6	· Bushing	(8131244)
15	8131198	24	· Screw	
16	20586602	6	Big end bearing kit	Std
	20586603	6	Big end bearing kit	O.S=0,25mm
	20586604	6	Big end bearing kit	O.S=0,50mm
	20586606	6	Big end bearing kit	O.S=1,00mm
17	3837975	1	Flywheel	
18	20711957	1	· Gear ring	(8193939)
19	3155075	12	Flange screw	
20	947760	2	Flange screw	
21	20480505	1	Gear	
22	950658	1	Pin	
23	984127	1	O-ring	
24	20777233	1	Cover	(20513482)
25		1	· Cover	
26	85108423	1	· Crankshaft seal	(1549398)
27	946671	8	Flange screw	
28	3837486	1	Pulley	
29	978447	12	Flange screw	
30	1161231	X	Sealant	304ml
	1161277	X	Sealant	20g
31	3838497	1	Spacer	
32	3586602	2	Vibration damper	
33	3838498	1	Adapter	

TWD1643GE

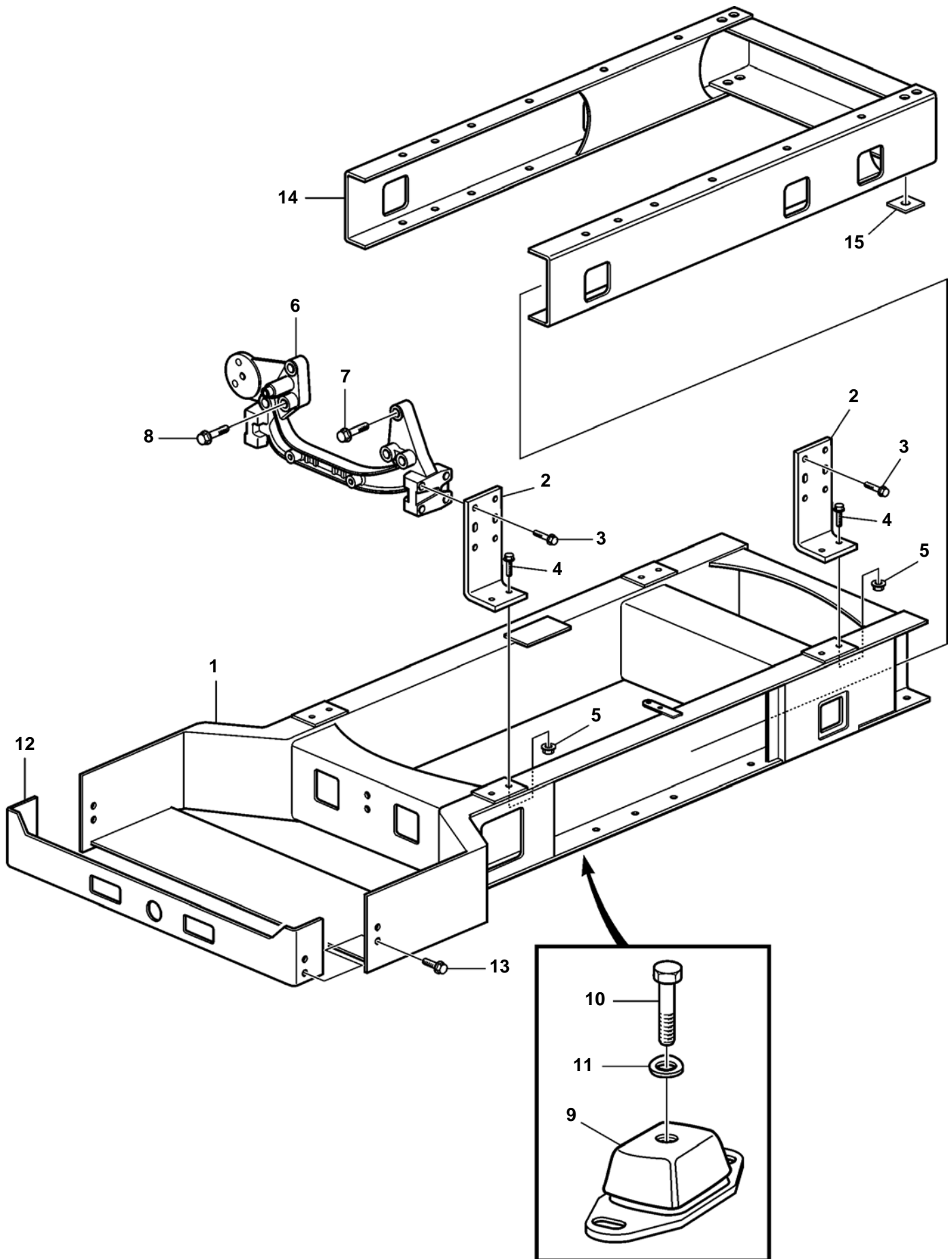


20895

TWD1643GE

REF	PART NO.	QTY	DESCRIPTION	NOTES
1	8131247	1	Crankshaft	
2	270929	1	Thrust washer kit	Std
	270930	1	Thrust washer kit	O.S=0,10mm
	270931	1	Thrust washer kit	O.S=0,20mm
	270932	1	Thrust washer kit	O.S=0,30mm
3	20578851	6	Main bearing kit	Std
	20700881	6	Main bearing kit	O.S=0,25mm
	20700882	6	Main bearing kit	O.S=0,50mm
		6	Main bearing kit	O.S=0,75mm
	20700886	6	Main bearing kit	O.S=1,00mm
4	20578853	1	Main bearing kit	Std
	20700890	1	Main bearing kit	O.S=0,25mm
	20700891	1	Main bearing kit	O.S=0,50mm
		1	Main bearing kit	O.S=0,75mm
	20700893	1	Main bearing kit	O.S=1,00mm
		1	Main bearing kit	O.S=1,25mm
5	3594319	6	Cylinder liner kit	
6		1	· Cylinder liner	
7	20520607	1	· Sealing ring kit	
8	945483	2	· Snap ring	
9	3589667	1	· Piston ring kit	
10		1	· Piston	
11	8131232	1	· Piston pin	
12	20523555	X	Shim	TH = 0,2mm
	20523556	X	Shim	TH = 0,3mm
	20523557	X	Shim	TH=0,5mm
13	3818942	6	Connecting rod	
14	20898010	6	· Bushing	(8131244)
15	8131198	24	· Screw	
16	20586602	6	Big end bearing kit	Std
	20586603	6	Big end bearing kit	O.S=0,25mm
	20586604	6	Big end bearing kit	O.S=0,50mm
		6	Big end bearing kit	O.S=0,75mm
	20586606	6	Big end bearing kit	O.S=1,00mm
		6	Big end bearing kit	O.S=1,25mm
17	3837975	1	Flywheel	
18	20711957	1	· Gear ring	(8193939)
19	3155075	12	Flange screw	
20	947760	2	Flange screw	
21	20480505	1	Gear	
22	950658	1	Pin	
23	984127	1	O-ring	
24	20777233	1	Cover	(20513482)
25		1	· Cover	
26	1549398	1	· Crankshaft seal	
27	946671	8	Flange screw	
28	3837486	1	Pulley	
29	978447	12	Flange screw	
30	1161231	X	Sealant	304ml
	1161277	X	Sealant	20g
31	3838497	1	Spacer	
32	3586602	2	Vibration damper	
33	3838498	1	Adapter	

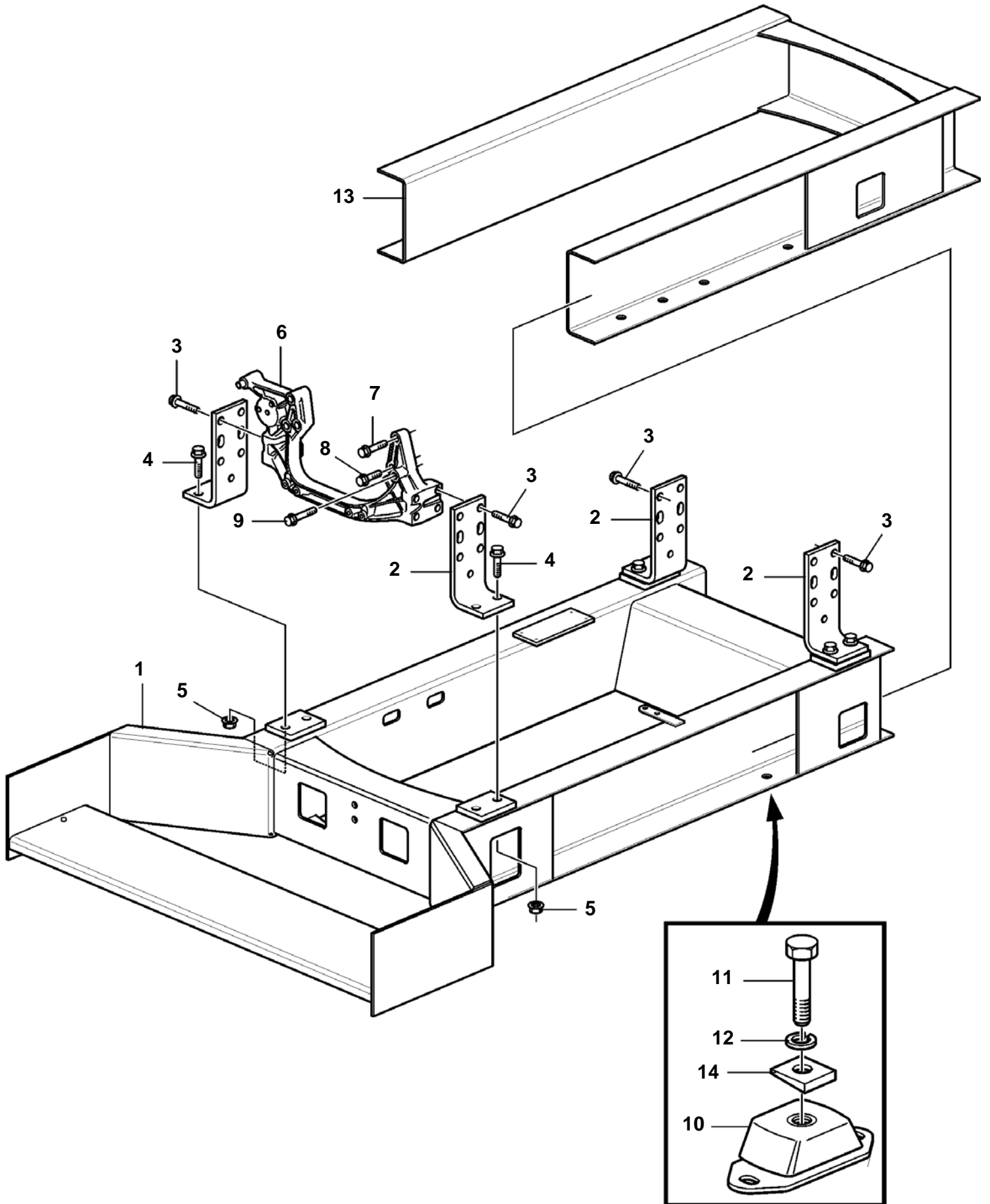
TAD1640GE, TAD1641GE, TAD1642GE



TAD1640GE, TAD1641GE, TAD1642GE

REF	PART NO.	QTY	DESCRIPTION	NOTES
1		1	Frame	
2		4	Engine bracket	
3	968435	16	Flange screw	
4	968449	8	Flange screw	
5	971100	8	Flange lock nut	
6	3828707	1	Engine mountings	
7	974008	1	Flange screw	L=70mm
8	975127	5	Flange screw	
9	862347	4	Rubber cushion	
10	961305	4	Screw	
11	955904	4	Washer	
12	3812095	1	Crossmember	
13	946329	4	Flange screw	
14		1	Frame	
15	865549	4	Washer	

TWD1643GE

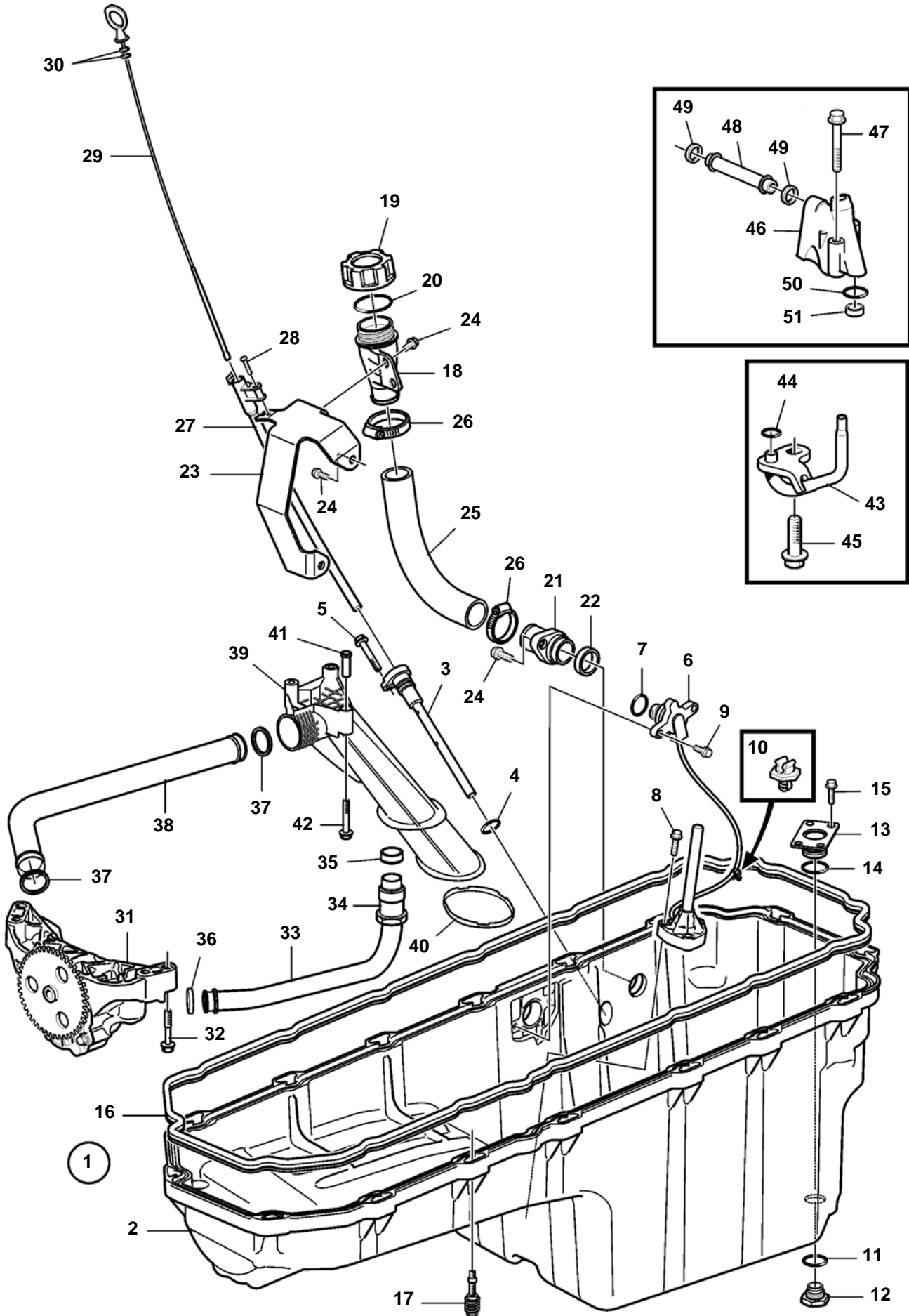


23690

TWD1643GE

REF	PART NO.	QTY	DESCRIPTION	NOTES
1			Frame	
2		4	Engine bracket	
3	968435	16	Flange screw	
4	968449	8	Flange screw	
5	971100	8	Flange lock nut	
6		1	Engine mountings	
7	974007	1	Flange screw	
8	974008	1	Flange screw	L=70mm
9	975127	5	Flange screw	L=90mm
10	862347	4	Rubber cushion	
11	961305	4	Screw	
12	955904	4	Washer	
13		1	Frame	
14	865549	4	Washer	

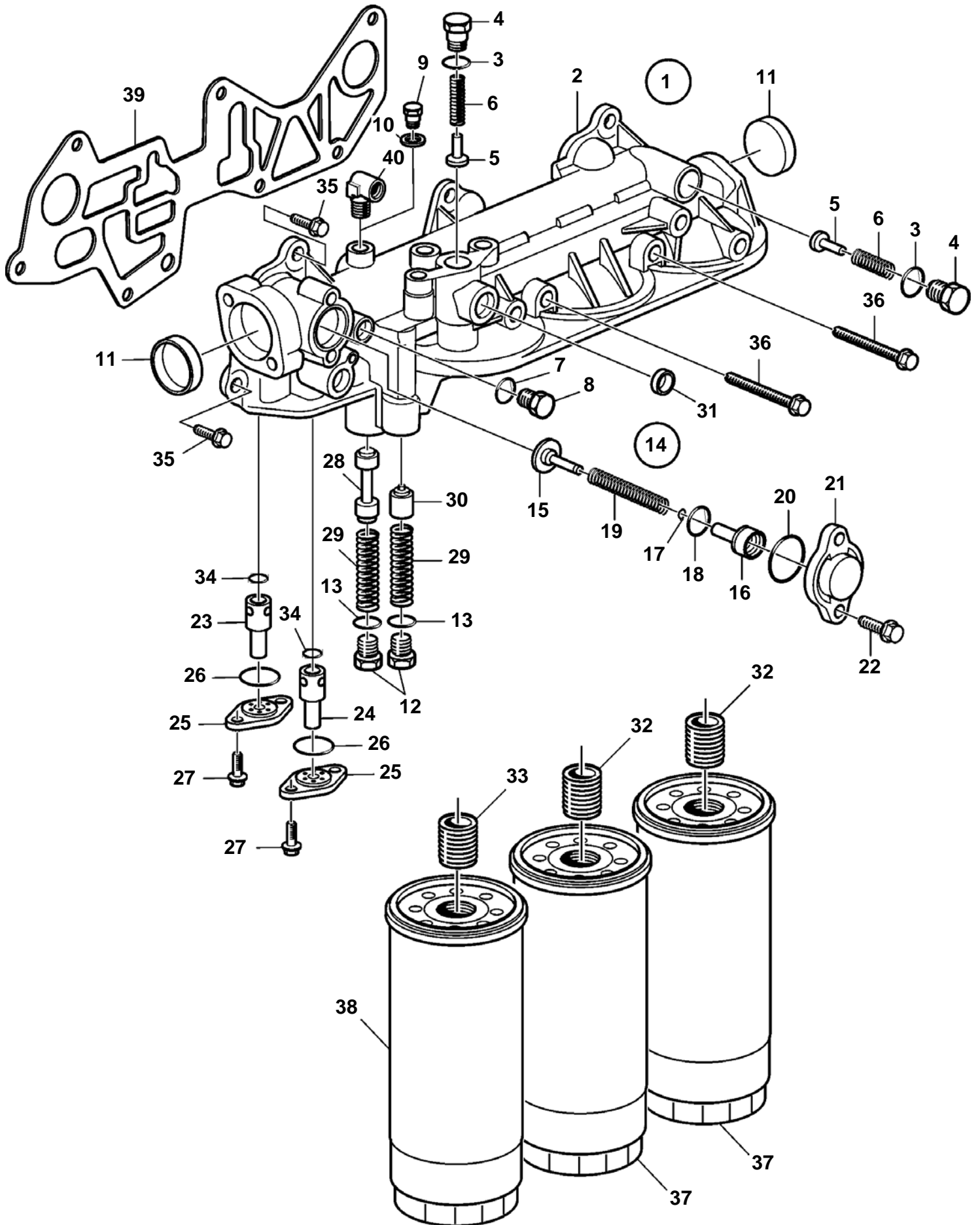
TAD1640GE, TAD1641GE, TAD1642GE, TWD1643GE



TAD1640GE, TAD1641GE, TAD1642GE, TWD1643GE

REF	PART NO.	QTY	DESCRIPTION	NOTES
1	20875333	1	Oil pan	
2		1	· Oil pan	
3	20724256	1	· Pipe	
4	949656	1	· · O-ring	
5	946173	1	· Flange screw	
6	24424110	1	· Sender	
7	944126	1	· · O-ring	
8	948356	3	· Screw	
9	946934	2	· Hexagon screw	
10	20700754	2	· Clip	
11	20579690	1	· Gasket	
12	20571854	1	· Plug	
13	20839219	1	· Retainer	
14	20586720	1	· O-ring	
15	966378	4	· Flange screw	
16	20734156	1	Sealing strip	
17	20463185	16	Flange screw	
18	20808091	1	Oil filler pipe	
19	20807510	1	· Oil filler cap	
20	20365079	1	· · Gasket	
21	20462497	1	Connection pipe	
22	20555696	1	Sealing ring	
23	3829069	1	Bracket	
24	946440	6	Flange screw	
25	3831383	1	Hose	
26	943476	2	Hose clamp	
27	3829068	1	Pipe	L=369mm
28	975371	1	6 point socket screw	
29	3829070	1	Dipstick	
30	949187	2	· O-ring	
31	20553753	1	Oil pump	
32	1547887	4	Screw	
33	20708889	1	Oil feed pipe	
34		1		
35	980790	1	· Ferrule	
36	1543578	1	Sealing ring	
37	20555696	2	Sealing ring	
38	20553751	1	Connection pipe	
39	20547257	1	Oil pump screen	
40	8131965	1	· Strainer	
41	20547263	1	· Spacer sleeve	
42	977275	3	Flange screw	
43	3839496	6	Jet	
44	955982	6	· O-ring	
45	966378	6	· Flange screw	
46	20540340	1	Intermediate section	
47	3165142	2	Flange screw	
48	20571452	1	Outlet pipe	
49	1677370	2	Sealing ring	
50	1636309	1	Sealing ring	
51	20775471	1	Spacer sleeve	

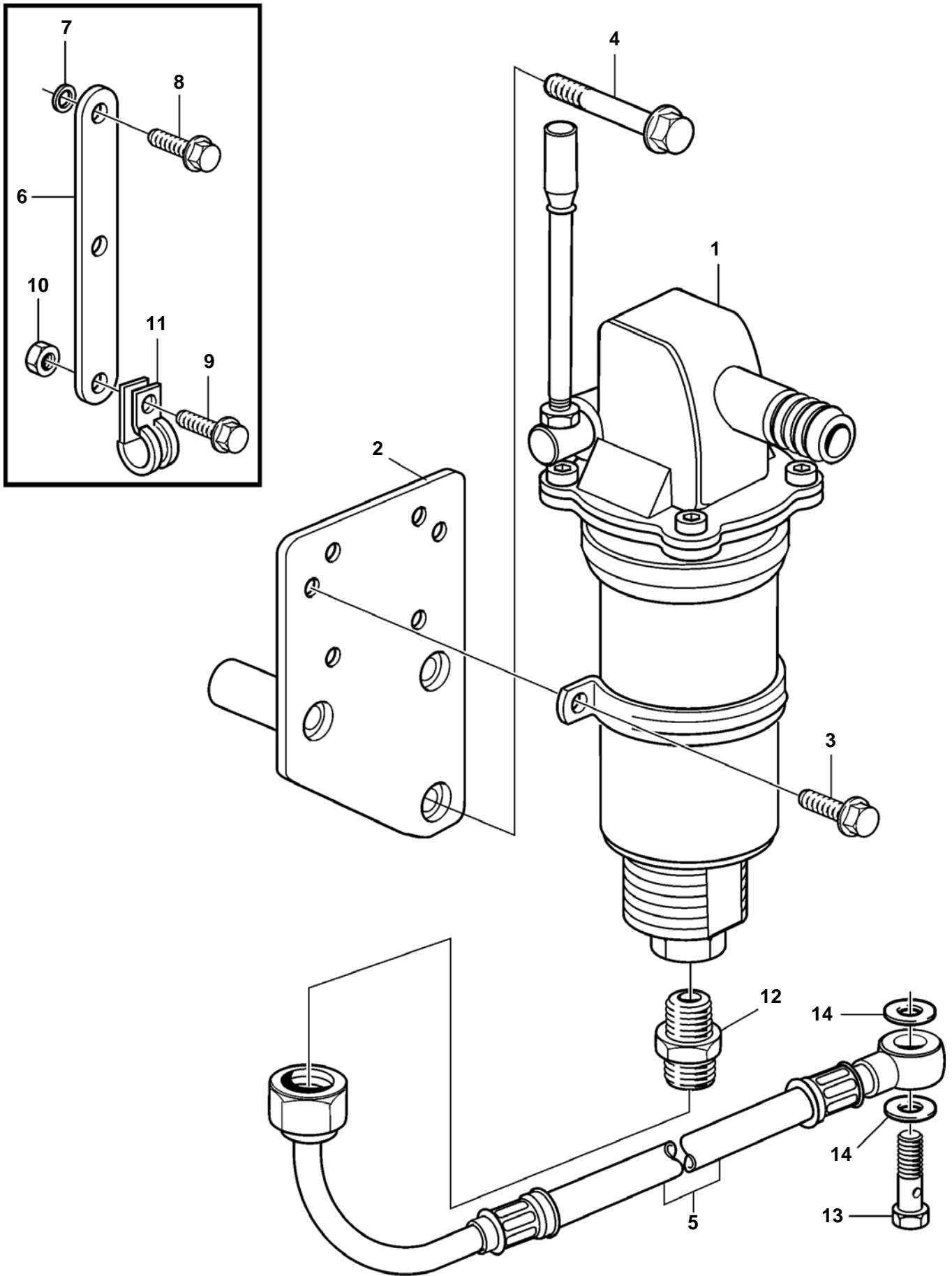
TAD1640GE, TAD1641GE, TAD1642GE, TWD1643GE



TAD1640GE, TAD1641GE, TAD1642GE, TWD1643GE

REF	PART NO.	QTY	DESCRIPTION
1	8131100	1	Oil filter housing
2		1	• Oil filter housing
3	947627	2	• Gasket
4	471598	2	• Plug
5	471085	2	• Valve
6	466653	2	• Spring
7	11998	2	• Gasket
8	960632	2	• Plug
9	960628	1	• Plug
10	947281	1	• Gasket
11	20478143	2	• Plug
12	20381215	2	• Plug
13	947629	2	• Gasket
14	3169687	1	• Delivery valve
15		1	• • Valve
16		1	• • Valve guide
17	955964	1	• • Snap ring
18	976039	1	• • O-ring
19		1	• • Spring
20	949659	1	• O-ring
21	3184806	1	• Cover
22	947542	2	• Screw
23	3826265	1	• Reducing valve
24	471706	1	• Reducing valve
25	471648	2	• Cover
26	949659	2	• O-ring
27	946544	4	• Flange screw
28	20440781	1	• Piston
29	20464676	2	• Spring
30	20440779	1	• By-pass valve
31	946778	1	• Cap plug
32	466623	2	• Nipple
33	469904	1	• Nipple
34	469846	2	• Sealing ring
35	945444	5	Flange screw
36	968999	2	Screw
37	478736	2	Oil filter
38	477556	1	Oil filter
39	20823322	1	Gasket
40	990916	1	Elbow nipple, pressure monitor/piston cooling

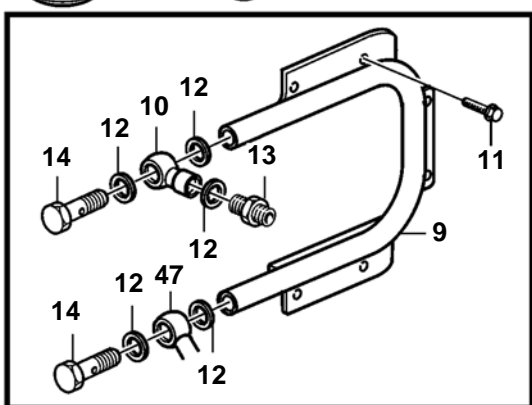
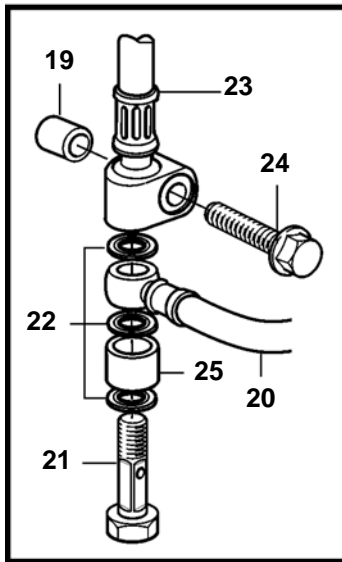
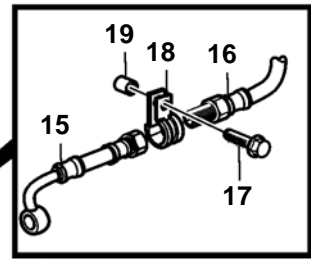
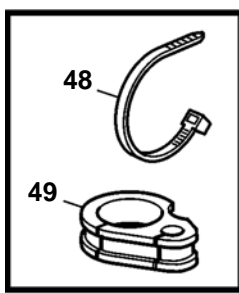
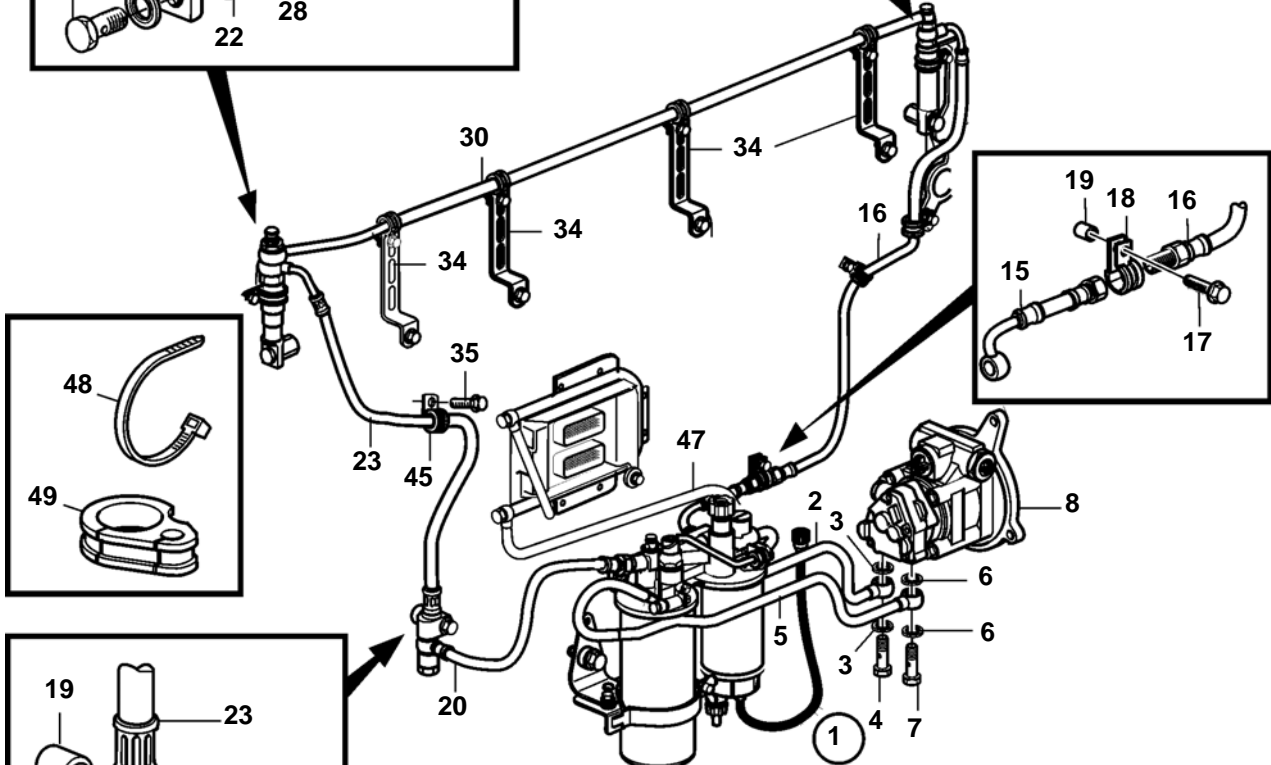
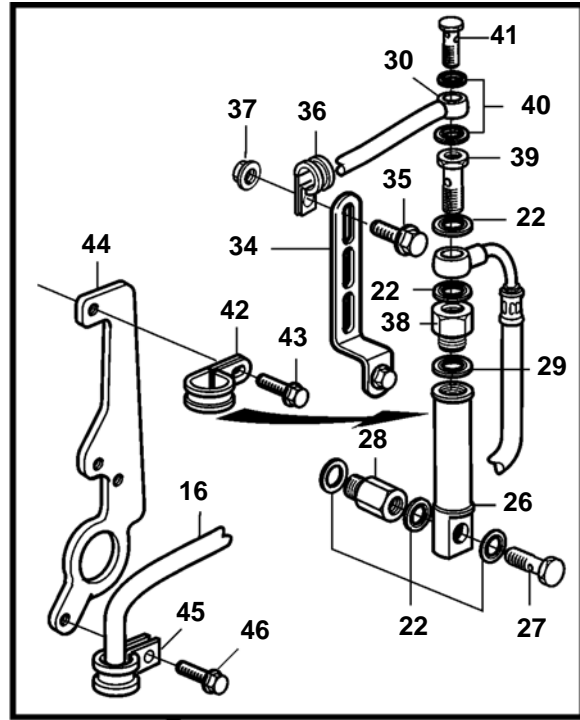
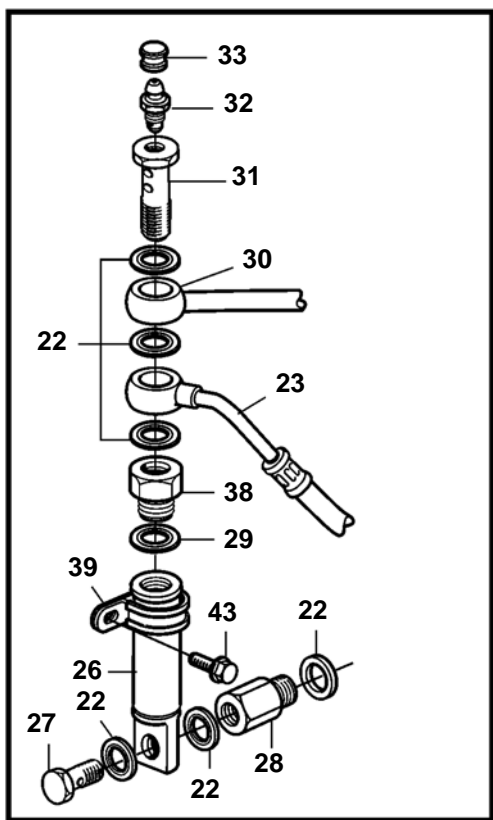
TAD1640GE, TAD1641GE, TAD1642GE, TWD1643GE



TAD1640GE, TAD1641GE, TAD1642GE, TWD1643GE

REF	PART NO.	QTY	DESCRIPTION
1	3827475	1	Oil bilge pump
2	3836697	1	Bracket
3	946440	2	Flange screw
4	975127	3	Flange screw
5	3838152	1	Oil feed hose
6	3829091	1	Bracket
7	20573472	1	Spacer
8	946752	1	Flange screw
9	946440	1	Flange screw
10	945408	1	Flange nut
11	949379	1	Clamp
12	944177	1	Nipple
13	966821	1	Hollow screw
14	18813	2	Gasket

TAD1640GE, TAD1641GE, TAD1642GE



23718

Upd: 2008-06-01

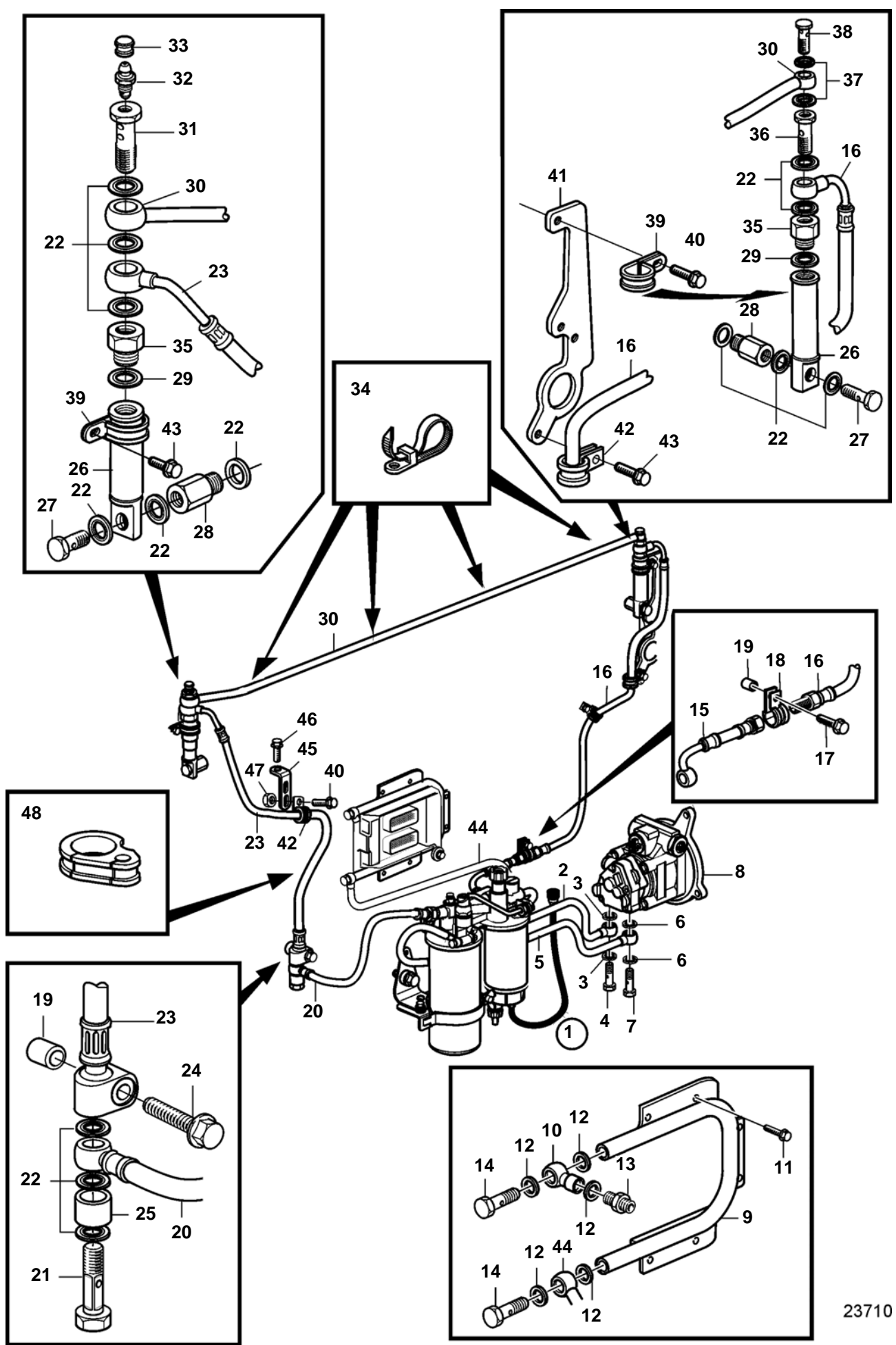
23718

7747470 - 23 - 21707

TAD1640GE, TAD1641GE, TAD1642GE

REF	PART NO.	QTY	DESCRIPTION	SEE SEC.
1		1	Filter housing	
				21694
2	20909808	1	Fuel pipe	
3	20852765	2	• Gasket	
4	991046	1	• Hollow screw	
5	20909822	1	Fuel pipe	
6	20852765	2	• Gasket	
7	991046	1	• Hollow screw	
8		1	Fuel pump	
				6876
9	20562394	1	Fuel pipe	
10	190390	1	Banjo nipple	
11	948746	6	Flange screw	
12	20852764	5	Gasket	
13	941754	1	Nipple	
14	25167	2	Hollow screw	
15	3888420	1	Fuel hose	
16	3849938	1	Fuel hose	
17	946470	1	Flange screw	
18	1545432	1	Clamp	
19	826652	2	Spacer sleeve	
20	3888407	1	Fuel hose	
21	21014054	1	Hollow screw	
22	20852765	14	Gasket	
23	3593826	1	Fuel hose	
24	965180	1	Flange screw	
25	991656	1	Spacer	
26	3848156	2	Riser	
27	190713	1	Hollow screw	
28	3849956	1	Nipple	
29	20899253	2	Gasket	
30	3593502	1	Air vent pipe	
31	3595373	1	Hollow screw	
32	20548012	1	Tap	
33	20547976	1	Protecting cover	
34	845999	4	Bracket	
35	946440	X	Flange screw	
36	942542	4	Clamp	
37	945408	4	Flange nut	
38	992272	2	Nipple	
39	3595375	1	Hollow screw	
40	20852762	2	Gasket	
41	48634	1	Hollow screw	
42	943717	1	Clamp	
43	946440	1	Flange screw	
44	3594418	1	Stay	
45	949747	X	Clamp	
46	946173	2	Flange screw	
47	20909744	1	Fuel pipe	
48	948211	1	Strip clamp	
49	8143276	1	Cable protection	

TWD1643GE

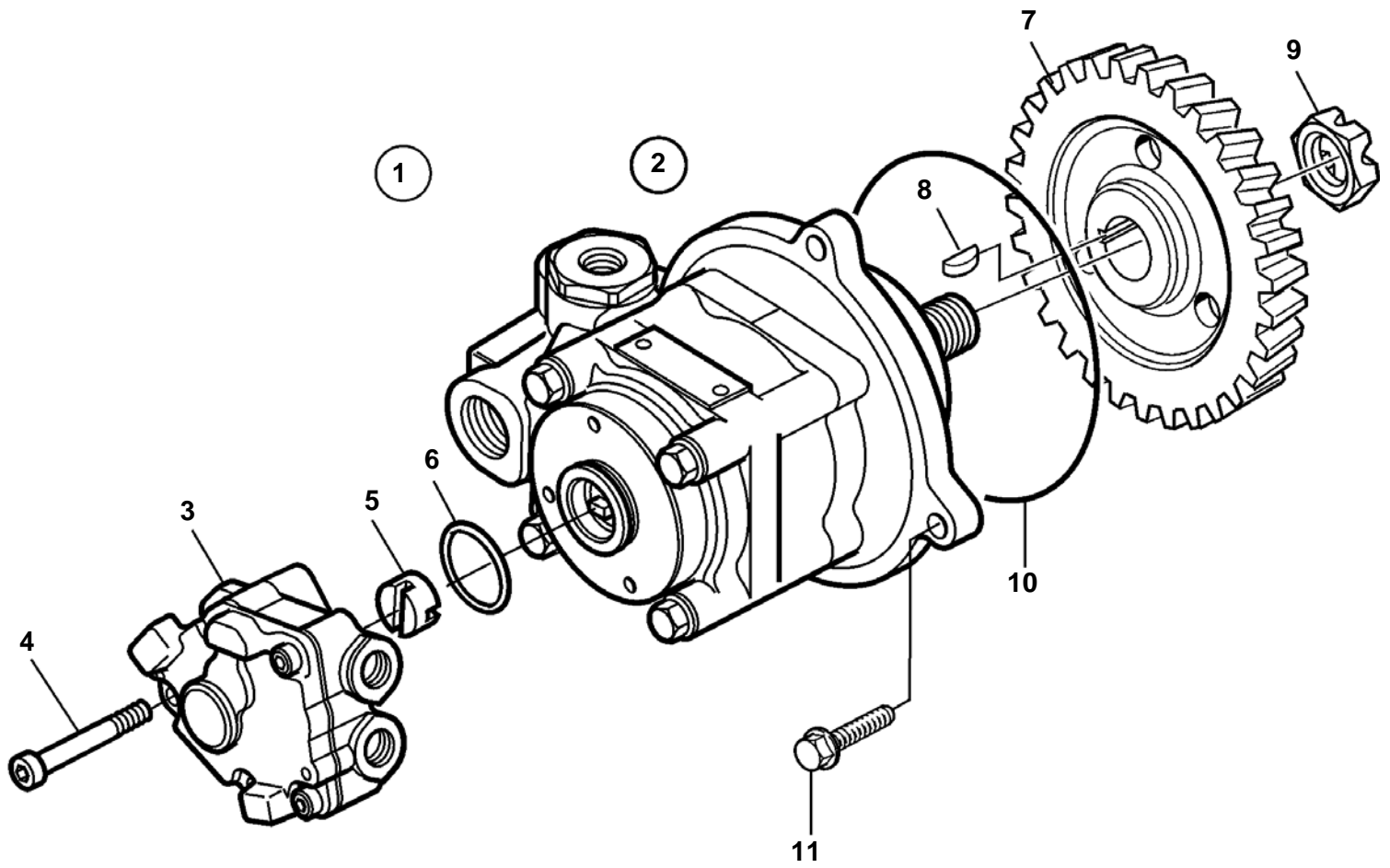


23710

TWD1643GE

REF	PART NO.	QTY	DESCRIPTION	SEE SEC.
1		1	Filter housing	
				21694
2	20909808	1	Fuel pipe	
3	20852765	2	• Gasket	
4	991046	1	• Hollow screw	
5	20909822	1	Fuel pipe	
6	20852765	2	• Gasket	
7	991046	1	• Hollow screw	
8		1	Fuel pump	
				6876
9	20562394	1	Fuel pipe	
10	190390	1	Banjo nipple	
11	948746	6	Flange screw	
12	20852764	5	Gasket	
13	941754	1	Nipple	
14	25167	2	Hollow screw	
15	3888420	1	Fuel hose	
16	3849938	1	Fuel hose	
17	946470	1	Flange screw	
18	1545432	1	Clamp	
19	826652	2	Spacer sleeve	
20	3888407	1	Fuel hose	
21	21014054	1	Hollow screw	
22	20852765	14	Gasket	
23	3593826	1	Fuel hose	
24	965180	1	Flange screw	
25	991656	1	Spacer	
26	3848156	2	Riser	
27	190713	1	Hollow screw	
28	3849956	1	Nipple	
29	20899253	2	Gasket	
30	3593502	1	Air vent pipe	
31	3595373	1	Hollow screw	
32	20548012	1	Tap	
33	20547976	1	Protecting cover	
34	948211	X	Strip clamp	
35	992272	2	Nipple	
36	3595375	1	Hollow screw	
37	20852762	2	Gasket	
38	48634	1	Hollow screw	
39	943717	2	Clamp	
40	946440	2	Flange screw	
41	3594418	1	Stay	
42	949747	3	Clamp	
43	946173	2	Flange screw	
44	20909744	1	Fuel pipe	
45	965560	1	Bracket	
46	946502	1	Screw	
47	945408	1	Flange nut	
48	8143276	1	Cable protection	

TAD1640GE, TAD1641GE, TAD1642GE, TWD1643GE

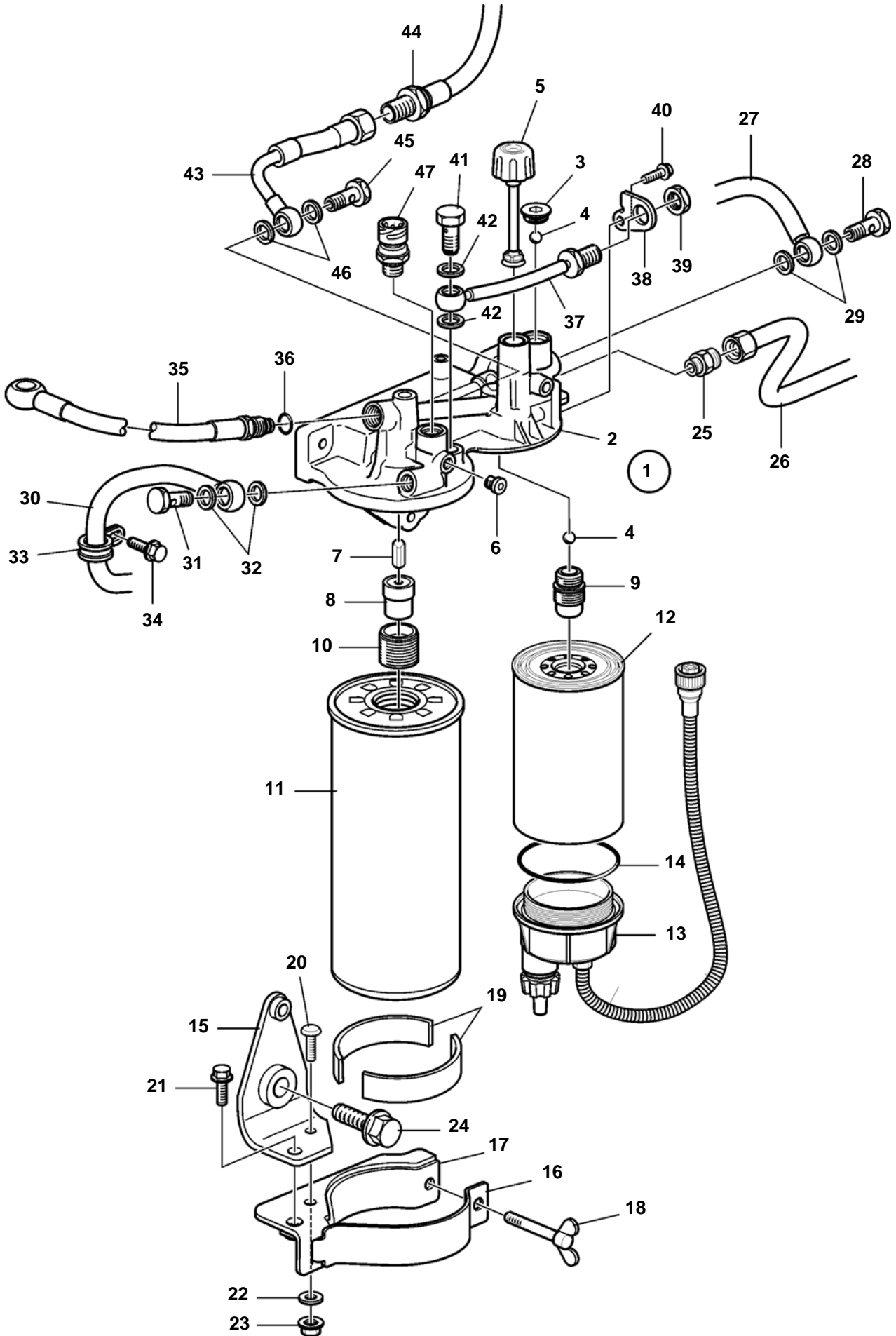


21014

TAD1640GE, TAD1641GE, TAD1642GE, TWD1643GE

REF	PART NO.	QTY	DESCRIPTION	NOTES
1	20902698	1	Pump	With servo pump., CMPL, (20482482)
2	3594872	1	Fuel pump	Without servo pump., CMPL, (3838624)
3	20997341	1	· Fuel pump	(85103778)
4	85103780	1	· Screw	
5	85103779	1	· Companion flange	
6	85103703	1	· O-ring	
7	8131292	1	· Gear	
8	1505357	1	· Key	
9	20367040	1	· Lock nut	
10	977030	1	O-ring	
11	947760	3	Flange screw	

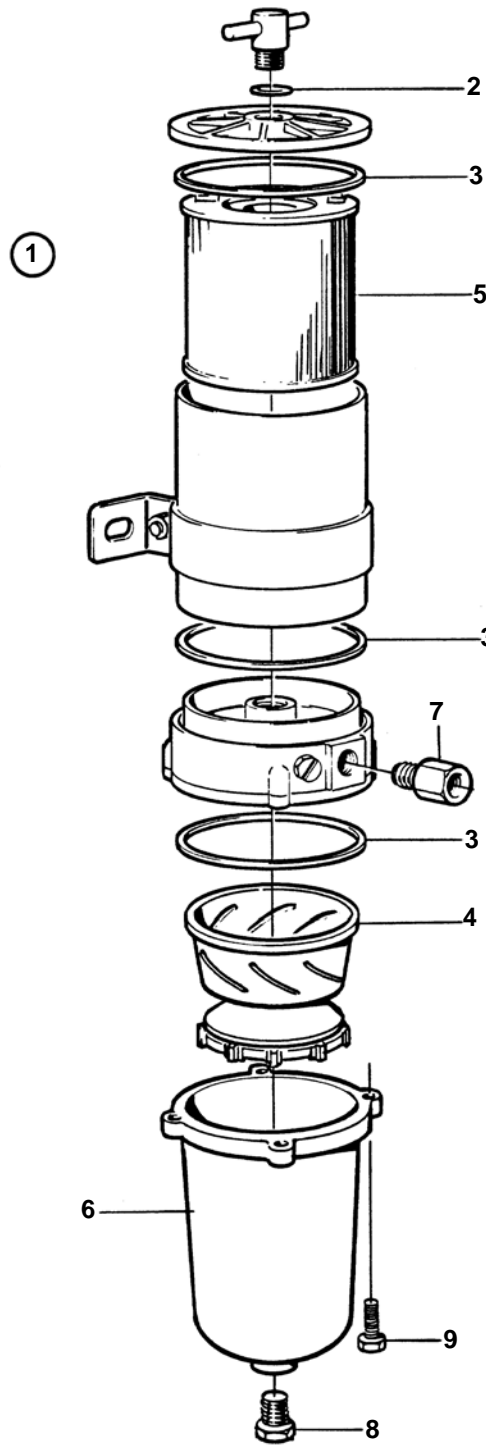
TAD1640GE, TAD1641GE, TAD1642GE, TWD1643GE



TAD1640GE, TAD1641GE, TAD1642GE, TWD1643GE

REF	PART NO.	QTY	DESCRIPTION	NOTES
1	3848884	1	Fuel filter housing	
2		1	• Fuel filter housing	Not as sparepart. Included only in filter housing assambly 3848884
3	20744692	1	• Plug	
4	20528999	2	• Ball	
5		1	• Pump shaft	Not as sparepart. Included only in filter housing assambly 3848884
6	20542751	1	• Plug	Not as sparepart. Included only in filter housing assambly 3848884
7		1	• Valve	Not as sparepart. Included only in filter housing assambly 3848884
8		1	• Sleeve	Not as sparepart. Included only in filter housing assambly 3848884
9		1	• Nipple	Not as sparepart. Included only in filter housing assambly 3848884
10		1	• Nipple	Not as sparepart. Included only in filter housing assambly 3848884
11	20976003	1	Fuel filter	(20430751)
12	20998367	1	Fuel filter	(20514654)
13	20771574	1	Bowl	
14	967344	1	O-ring	
15	3888711	1	Bracket	
16		1	• Bracket	As sparepart use bracket 3888711
17		1	• Bracket	As sparepart use bracket 3888711
18	990494	1	• Wing screw	
19		1	• Spacer	As sparepart use bracket 3888711
20		1	• Screw	As sparepart use bracket 3888711
21	946441	1	Screw	
22	976944	1	Washer	
23	948645	1	Lock nut	
24	968435	1	Flange screw	
25	946602	1	Nipple	
26	20909808	1	Fuel pipe	
27	20909744	1	Fuel pipe	
28	25167	1	• Hollow screw	
29	969011	2	• Gasket	
30	20909822	1	Fuel pipe	
31	991046	1	• Hollow screw	
32	20852765	2	• Gasket	
33	949747	1	Clamp	
34	945444	1	Flange screw	
35	3888407	1	Fuel hose	
36	976971	1	• O-ring	
37	3888904	1	Breather pipe	
38		1	Bracket	
39	957018	1	Nut	
40	20784686	1	Flange screw	
41	3594288	1	Hollow screw	
42	20852764	2	Gasket	
43	3888420	1	Fuel hose	
44	3849938	1	Fuel hose	
45	991048	1	Hollow screw	
46	20852764	2	Gasket	
47	20898038	1	Pressure sensor	

TAD1640GE, TAD1641GE, TAD1642GE, TWD1643GE

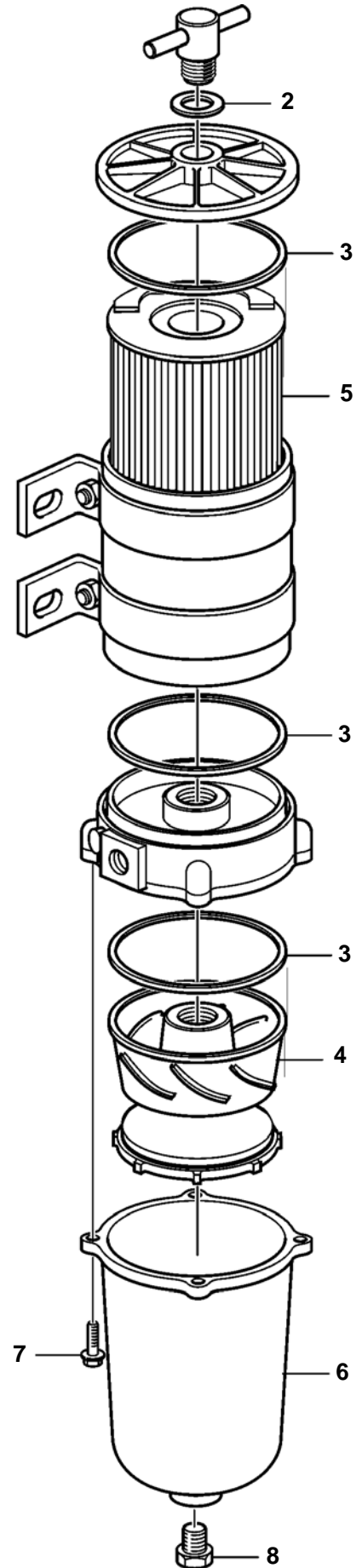
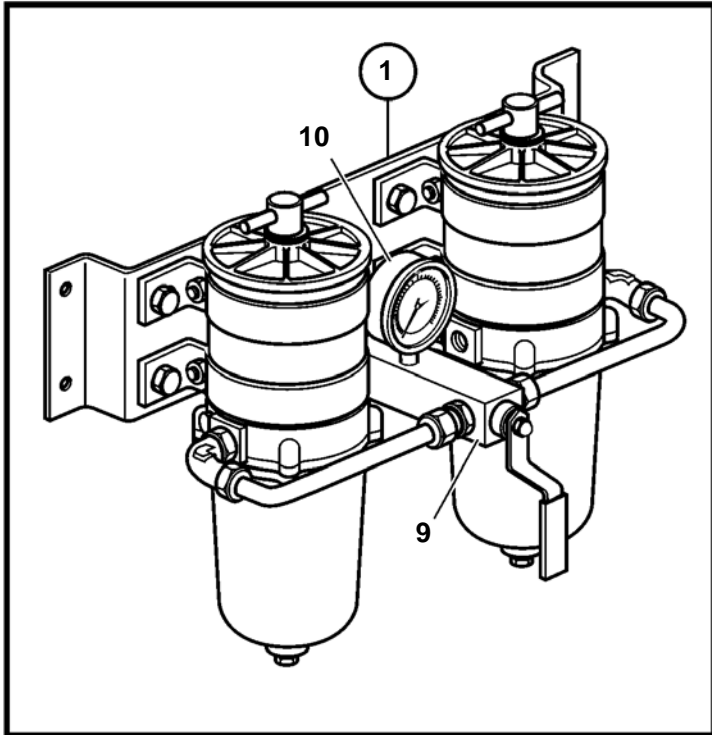


15385

TAD1640GE, TAD1641GE, TAD1642GE, TWD1643GE

REF	PART NO.	QTY	DESCRIPTION	SEE SEC.	NOTES
1	3825018	1	Fuel cleaner		REPL BY 877768
			• Bulletin 50-11A	50-11A-EN	Fuel Filters / Water Separators
1	877768	1	Fuel filter kit		
2	838506	1	• O-ring		
3	846719	3	• Gasket		
4	3825028	1	• Turbine		
5	3838852	1	• Fuel filter insert		(3825027) 10 micron
6	3838851	1	• Bowl		Metal Bowl., (848293)
7	846620	2	• Nipple		
8	952075	1	• Plug		
9	940094	4	• Screw		

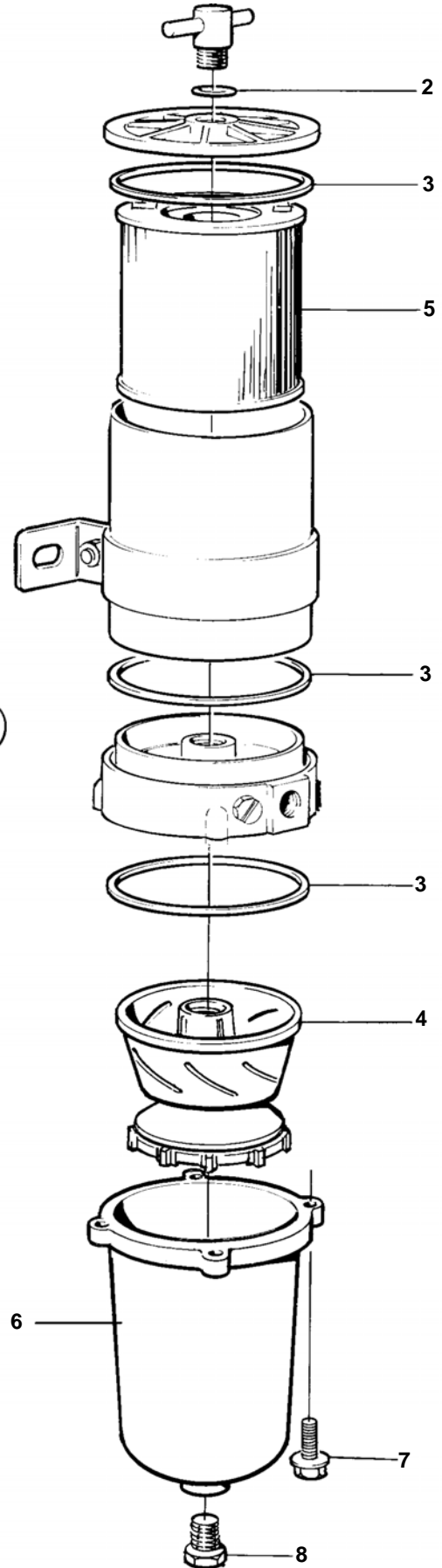
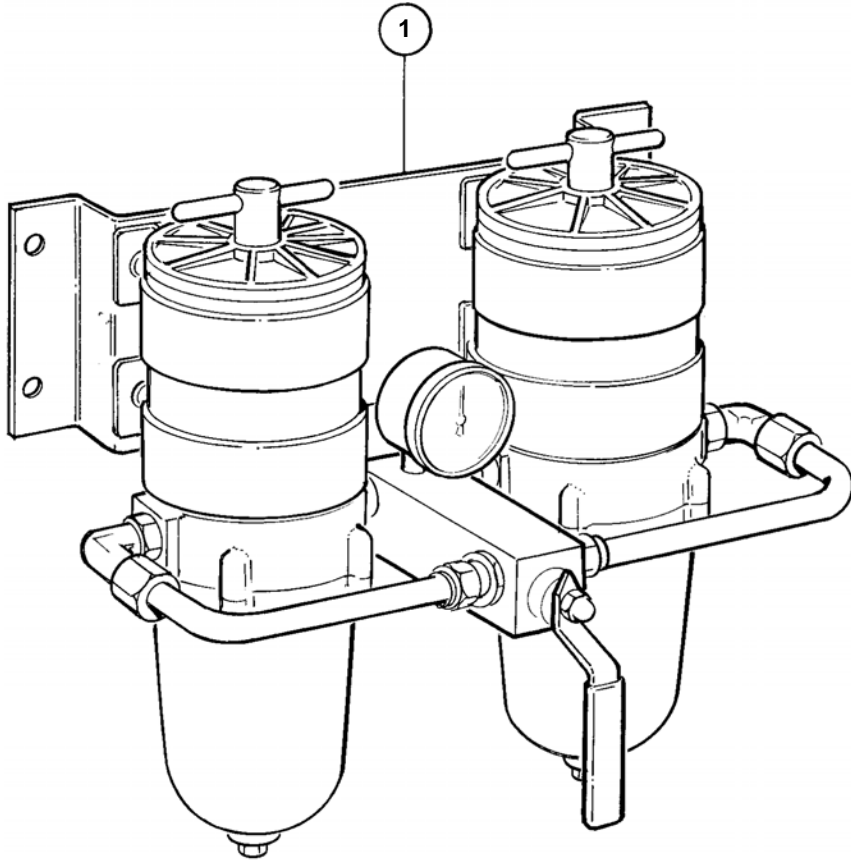
TAD1640GE, TAD1641GE, TAD1642GE, TWD1643GE



TAD1640GE, TAD1641GE, TAD1642GE, TWD1643GE

REF	PART NO.	QTY	DESCRIPTION	NOTES
1	877770	1	Fuel filter kit	LATE TYPE
2	838505	2	• O-ring	
3	846719	6	• Gasket	
4		2	• Turbine	
5	3838852	2	• Fuel filter insert	
6	3838851	2	• Bowl	
7	940094	8	• Screw	
8	952075	2	• Plug	
9	3827300	2	• Block	
10	3827299	2	• Manometer	

TAD1640GE, TAD1641GE, TAD1642GE

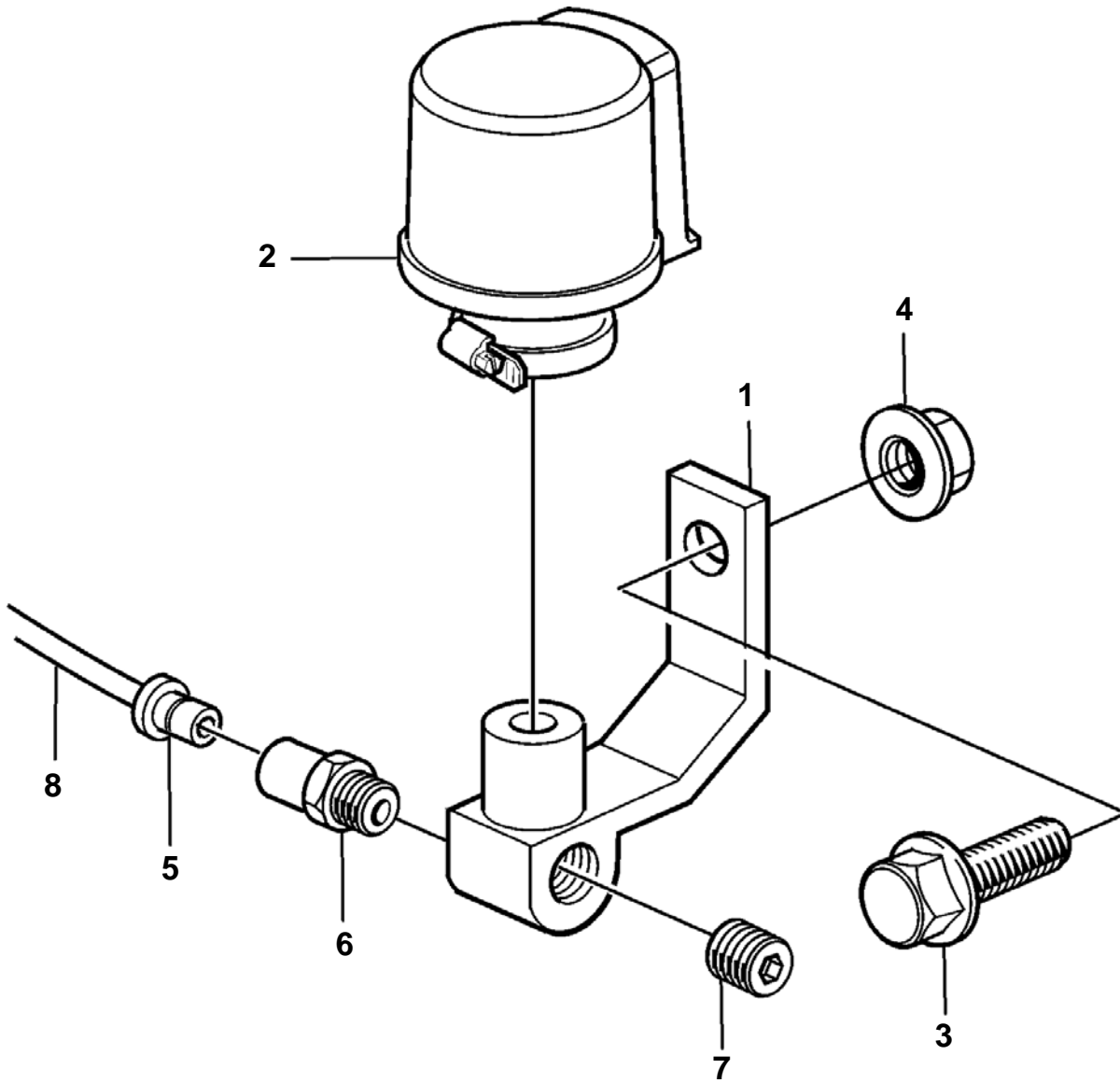


15909

TAD1640GE, TAD1641GE, TAD1642GE

REF	PART NO.	QTY	DESCRIPTION	SEE SEC.	NOTES
1	3825022	1	Fuel cleaner	9853	REPL BY 877770
			· Bulletin 50-11A	50-11A-EN	Fuel Filters / Water Separators
2	838505	2	· O-ring		
3	846719	6	· Gasket		
4	3825028	2	· Turbine		
5	3838852	2	· Fuel filter insert		(3825027) 10 micron
6	3838851	2	· Bowl		Metal Bowl., (848293)
7	940094	8	· Screw		
8	952075	2	· Plug		

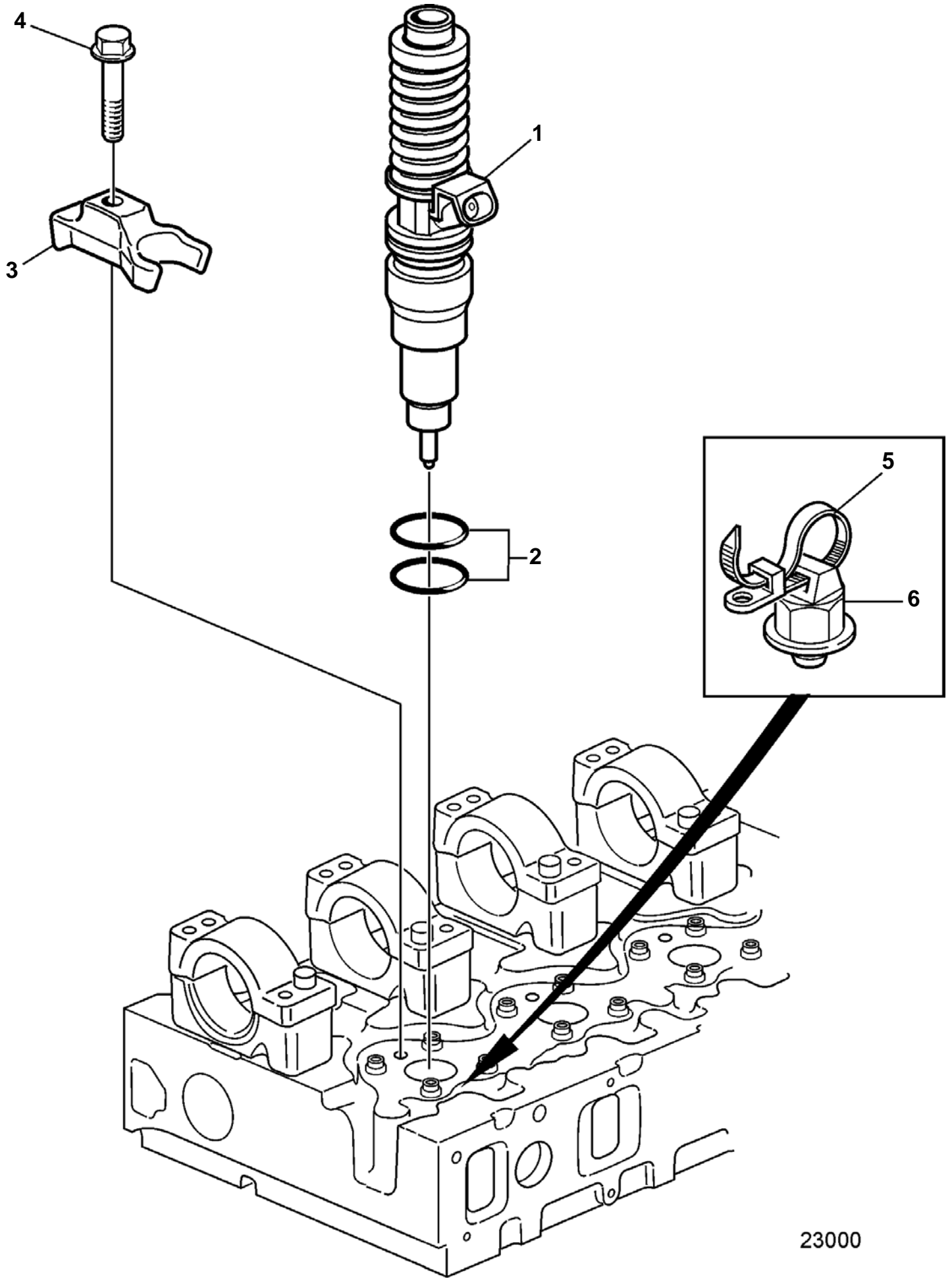
TAD1640GE, TAD1641GE, TAD1642GE



TAD1640GE, TAD1641GE, TAD1642GE

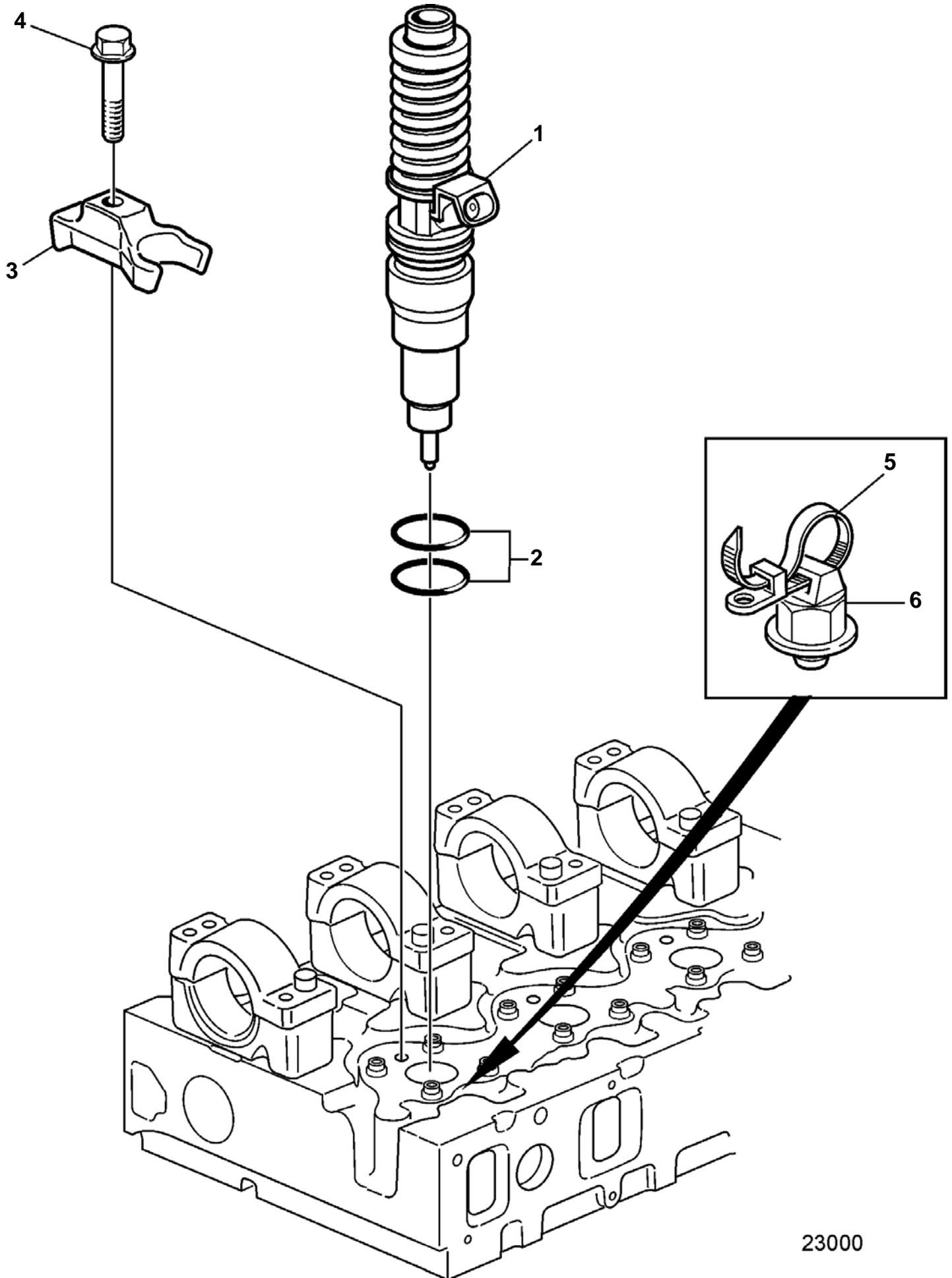
REF	PART NO.	QTY	DESCRIPTION	NOTES
1	3173995	1	Bracket	
2	3944785	1	Air cleaner	
3	966360	1	Flange screw	
4	979231	1	Flange nut	
5	968695	1	Fitting	
6	976445	1	Nipple	
7	968061	1	Plug	
8	980832	X	Plastic pipe	L=2000mm

TAD1640GE



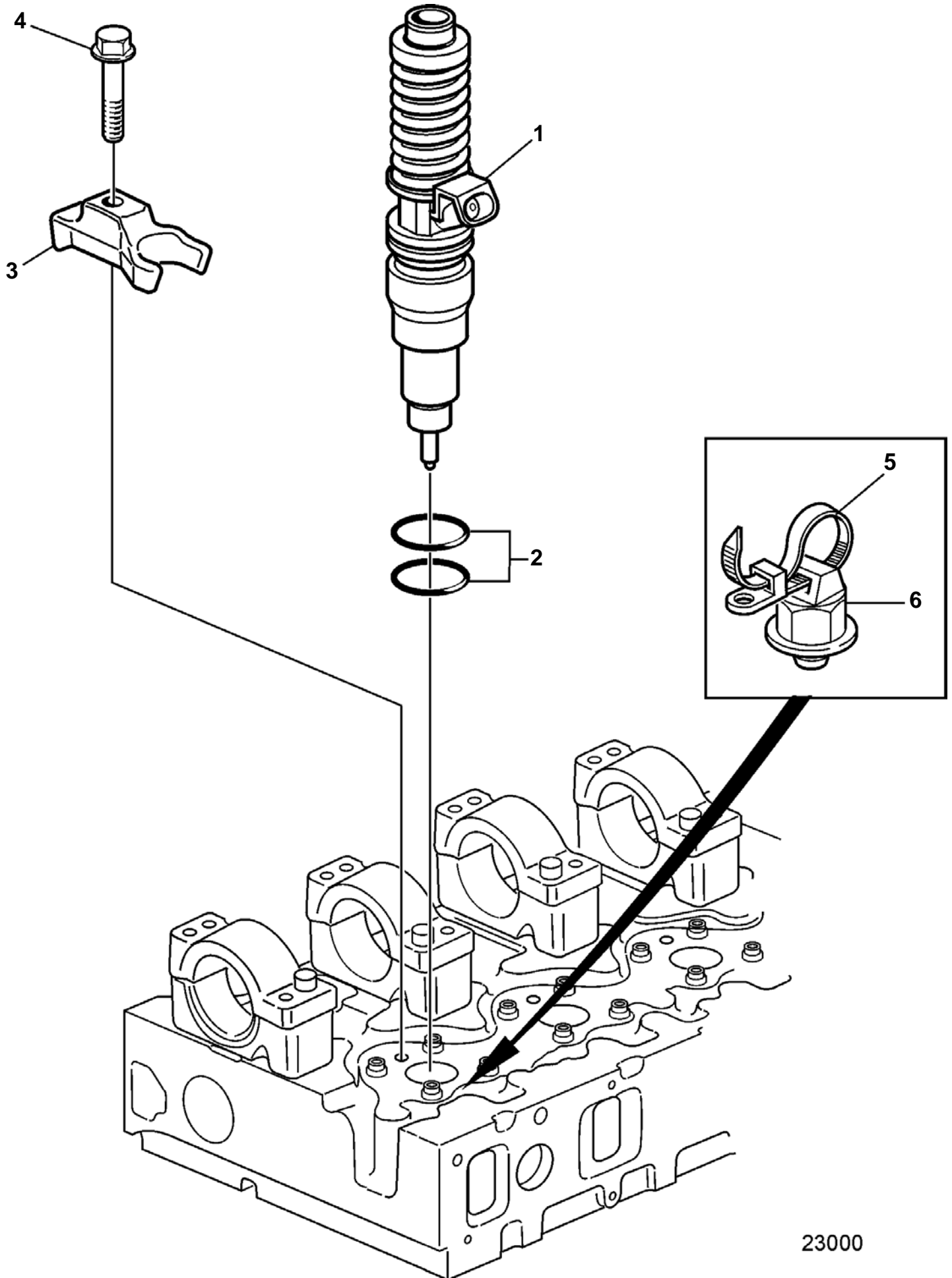
23000

TAD1641GE, TAD1642GE

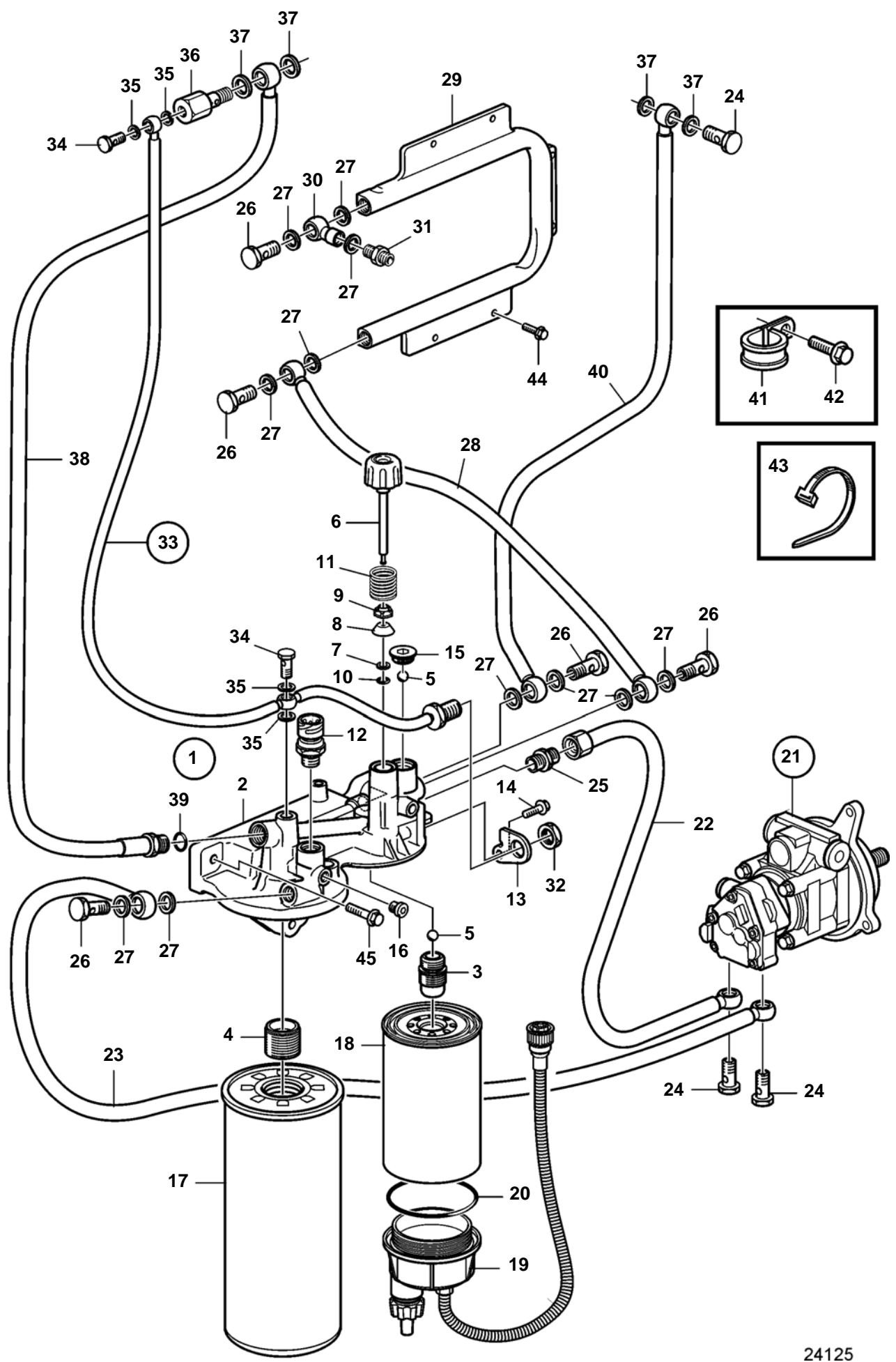


23000

TWD1643GE



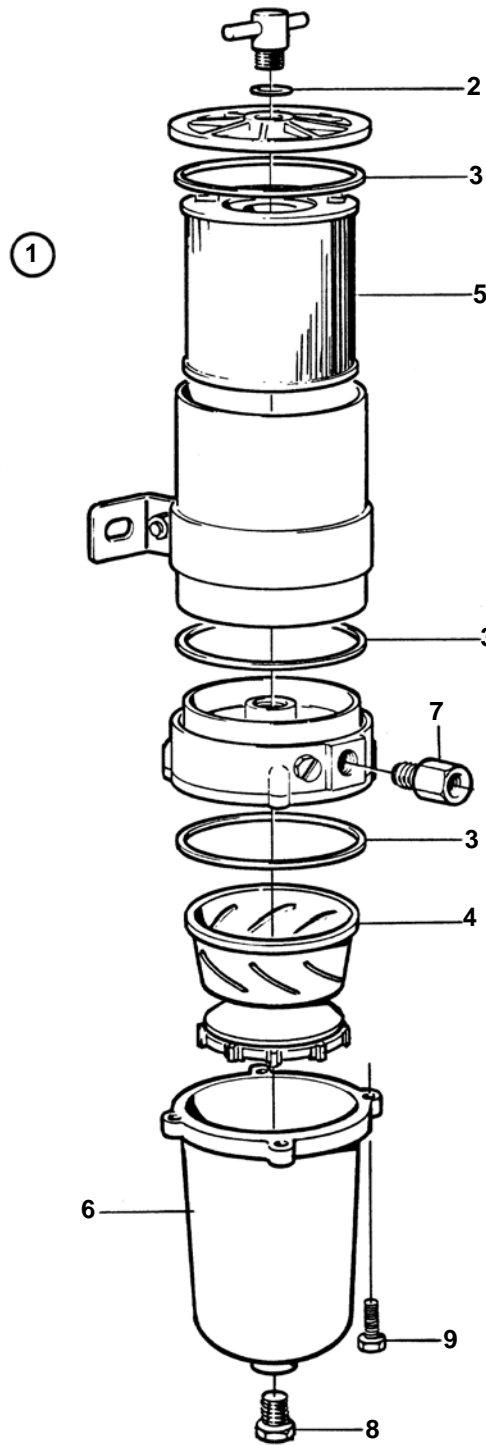
TAD1640GE, TAD1641GE, TAD1642GE, TWD1643GE



TAD1640GE, TAD1641GE, TAD1642GE, TWD1643GE

REF	PART NO.	QTY	DESCRIPTION	SEE SEC.	NOTES
1	3849373	1	Fuel filter housing		
2		1	· Housing		
3		1	· Nipple		
4		1	· Nipple		
5	20528999	2	· Ball		
6		1	· Pump shaft		
7			· Washer		
8		1	· Pump element		
9		1	· Support ring		
10		1	· O-ring		
11		1	· Spring		
12		1	· Pressure sensor	6968	
13		1	· Bracket		
14	20784686	1	· Flange screw		
15	20744692	1	· Plug		
16			· Plug		
17	20514654	1	Fuel filter		
18	20514654	1	Fuel filter		
19	20771574	1	Bowl		
20	967344	1	O-ring		
21		1	Fuel pump		
				6876	
22	20909808	1	Fuel pipe		
23	20405277	1	Fuel pipe		
24	941686	3	Hollow screw		
25	946602	1	Nipple		
26	25167	5	Hollow screw		
27	969011	11	Gasket		
28	20521582	1	Fuel pipe		
29	20562394	1	Fuel pipe		
30	190390	1	Banjo nipple		
31	941754	1	Nipple		
32	957019	1	Nut		
33	20927369	1	Air vent pipe		
34	48634	2	Hollow screw		
35	947281	4	Gasket		
36	20450468	1	Overflow valve		
37	11996	4	Gasket		
38	3885438	1	Fuel pipe		
39	976971	1	O-ring		
40	20539879	1	Fuel pipe		
41	949747	9	Clamp		D=15,9mm
42	946440	9	Flange screw		M8x16mm
43	948211	6	Strip clamp		
44	948746	9	Flange screw		M6x16mm
45	946671	2	Flange screw		M8x30mm

TAD1640GE, TAD1641GE, TAD1642GE, TWD1643GE

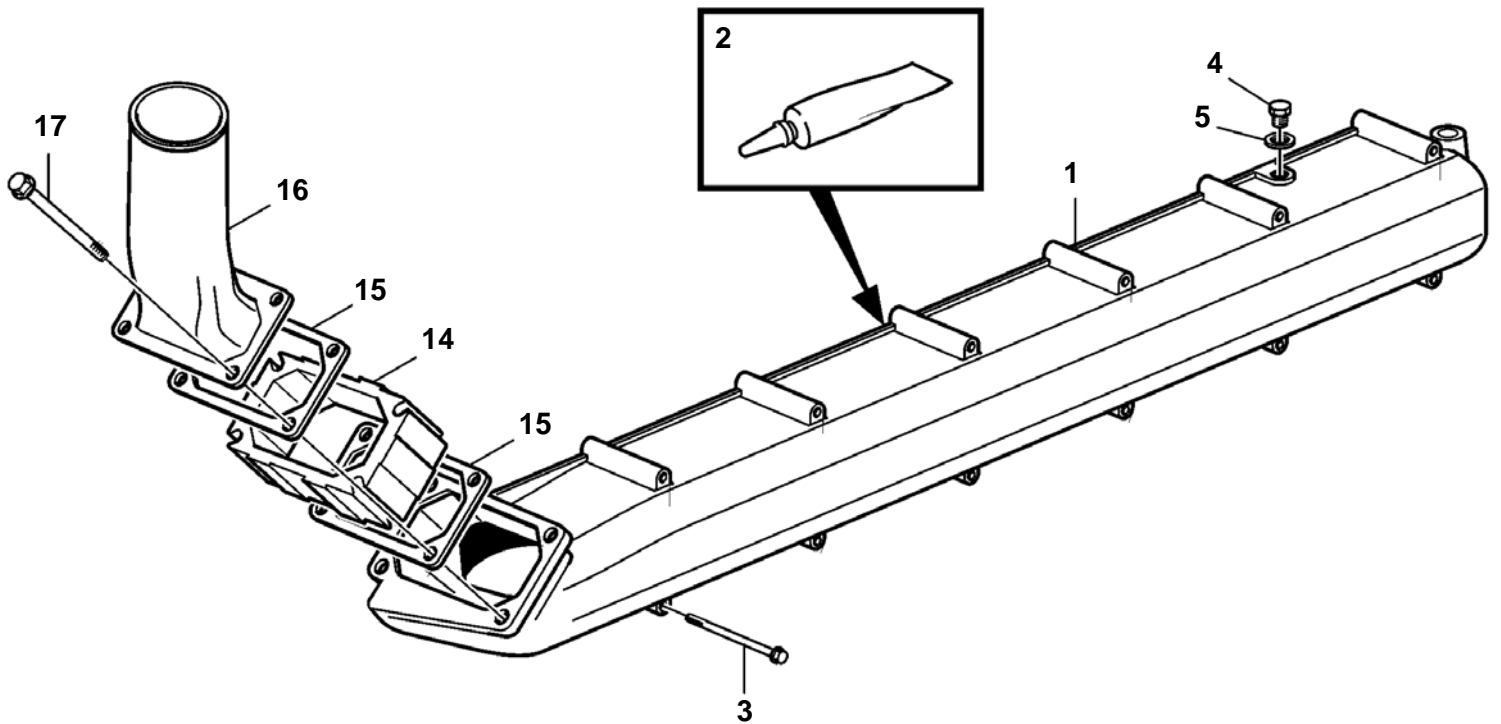
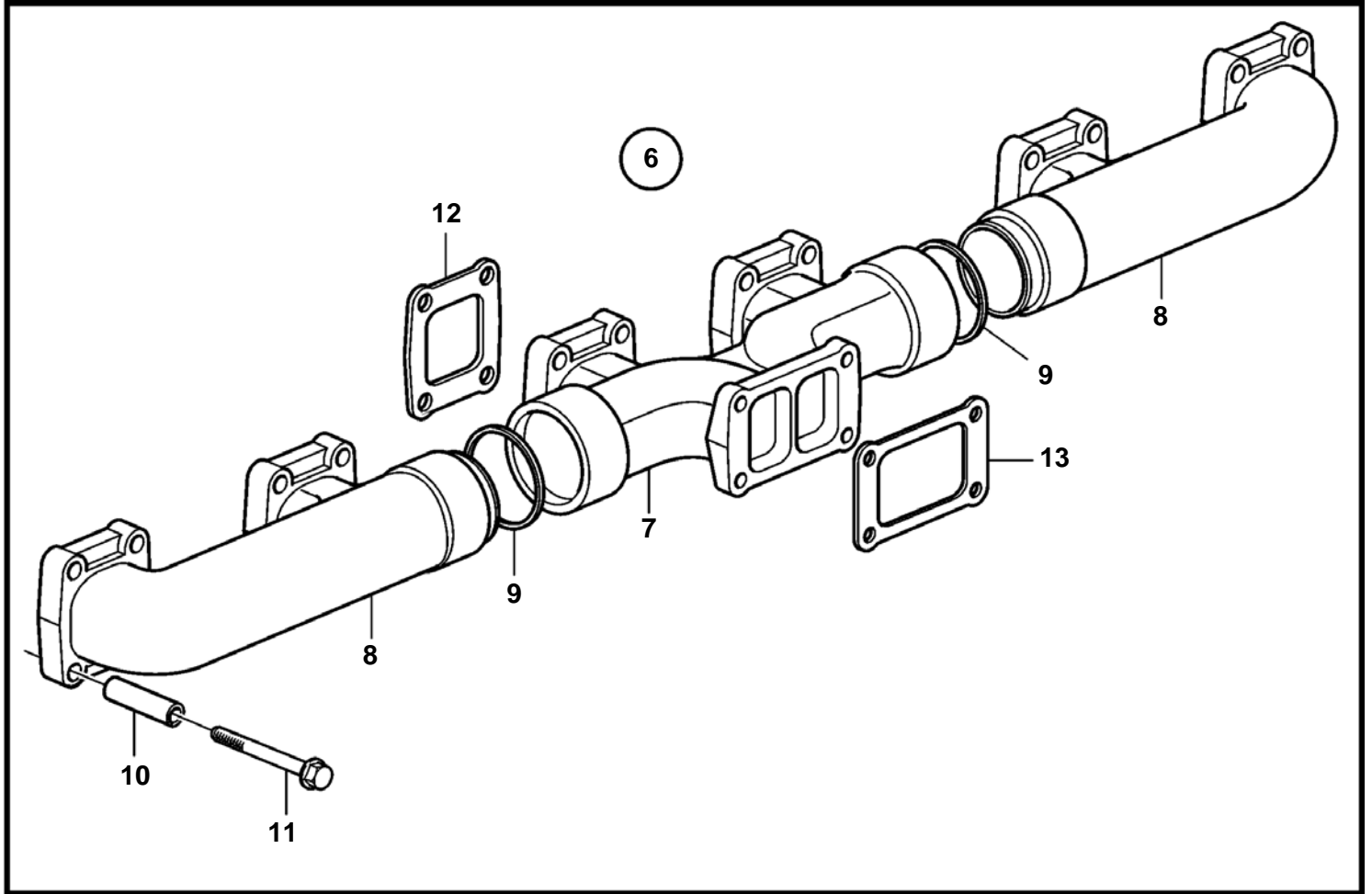


15385

TAD1640GE, TAD1641GE, TAD1642GE, TWD1643GE

REF	PART NO.	QTY	DESCRIPTION	NOTES
1	877768	1	Fuel filter kit	
2	838506	1	· O-ring	
3	846719	3	· Gasket	
4	3825028	1	· Turbine	
5	3838852	1	· Fuel filter insert	(3825027) 10 micron
	889419	1	· Fuel filter insert	30 micron
6	3838851	1	· Bowl	Metal Bowl., (848293)
7	846620	2	· Nipple	
8	952075	1	· Plug	
9	940094	4	· Screw	

TAD1640GE, TAD1641GE, TAD1642GE

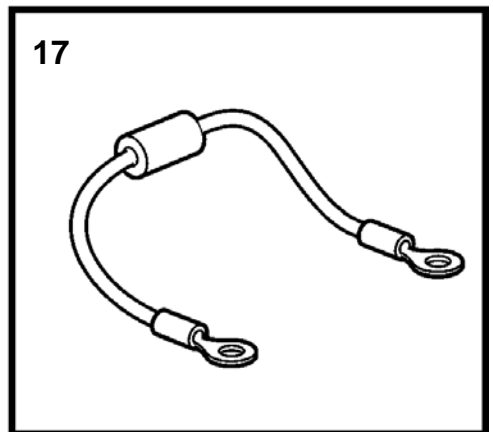
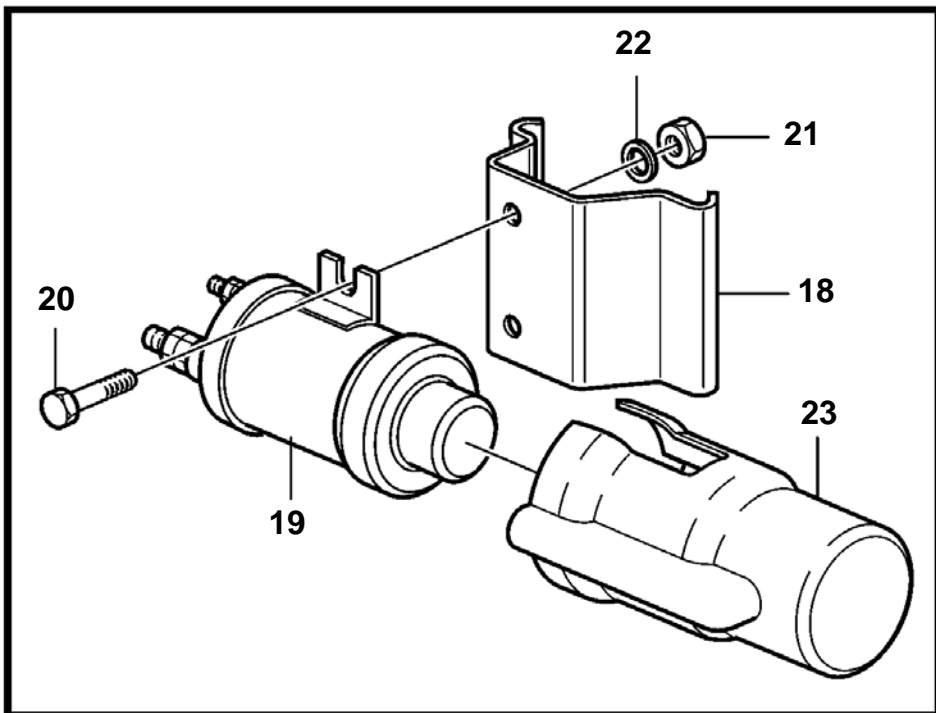
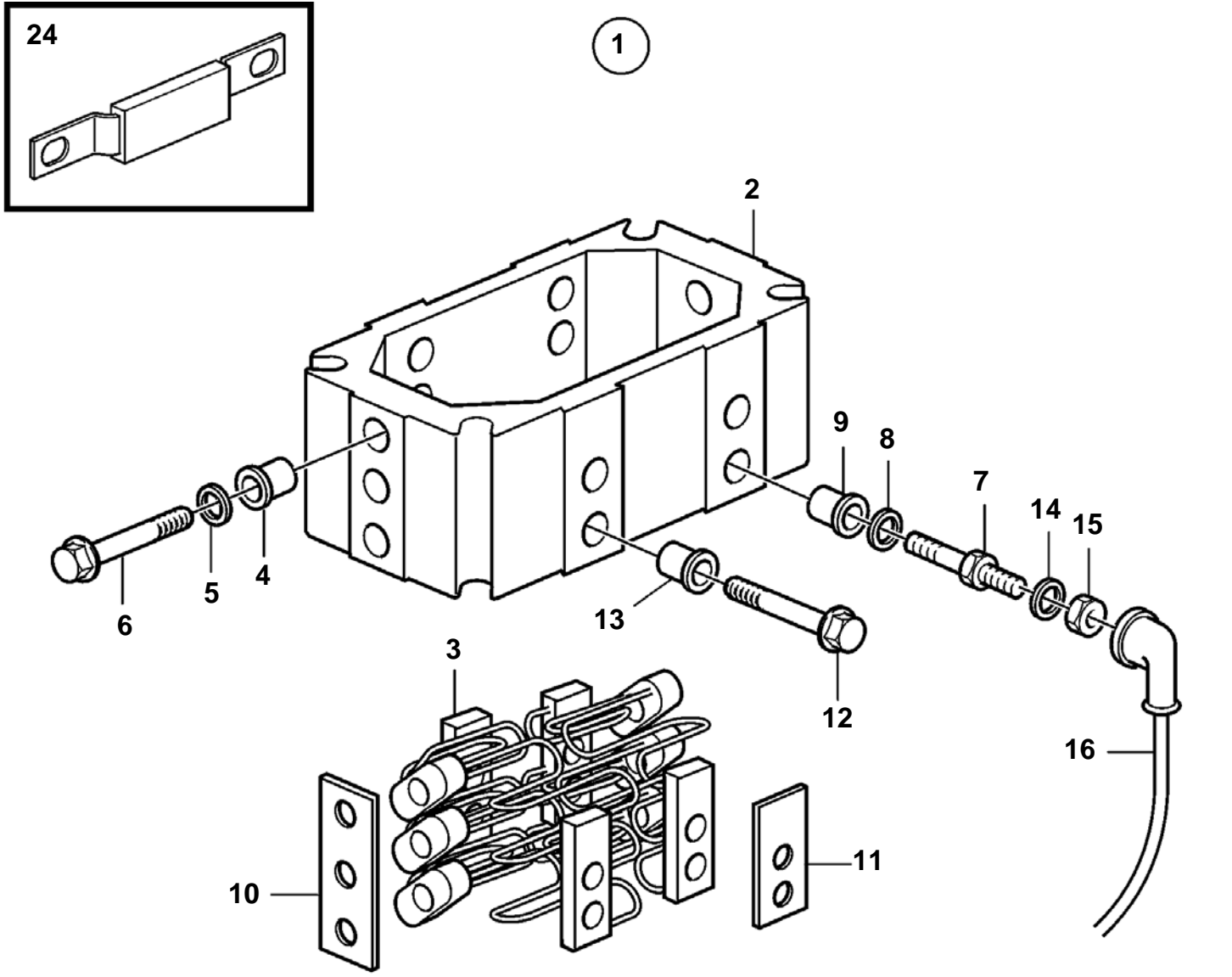


23816

TAD1640GE, TAD1641GE, TAD1642GE

REF	PART NO.	QTY	DESCRIPTION	SEE SEC.	NOTES
1	20570212	1	Inlet pipe		
2	1161231	X	Sealant		304ml
	1161277	X	Sealant		10g
3	965181	12	Screw		
4	960628	1	Plug		
5	947281	1	Gasket		
6	11158142	1	Exhaust manifold		
7		1	· Exhaust manifold		
8		2	· Exhaust manifold		
9	11158143	2	· Sealing ring		
10	1546517	24	Spacer sleeve		
11	965189	24	Flange screw		
12	20744865	6	Gasket		(8131215)
13	20784537	1	Gasket		(470939)
14	1676806	1	Intermediate section		
				7031	
15	477314	2	Gasket		
16	3838354	1	Charge air pipe		
17	965184	4	Screw		

TAD1640GE, TAD1641GE, TAD1642GE

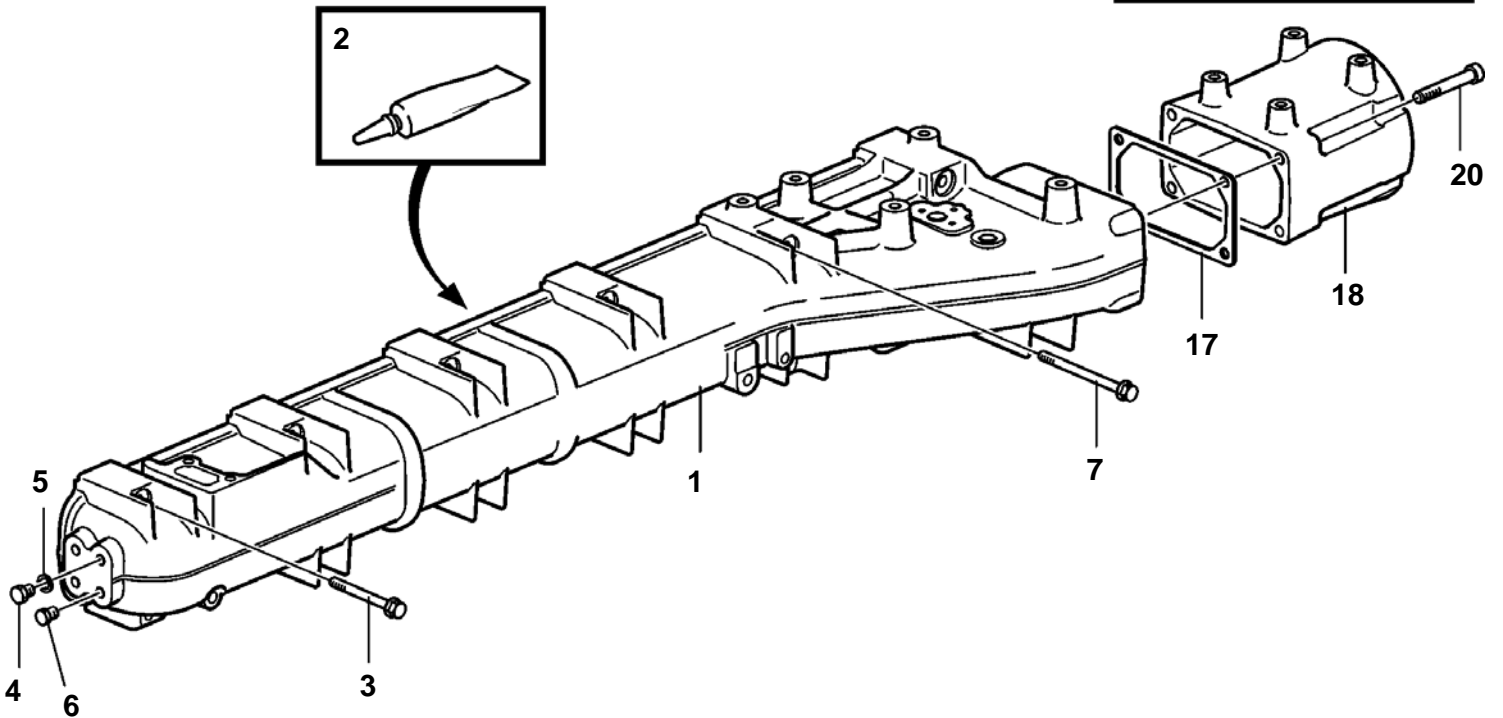
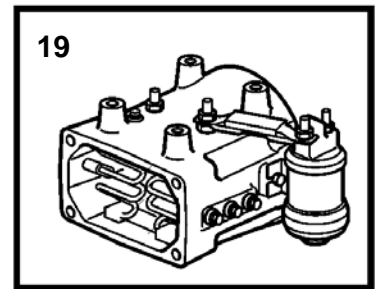
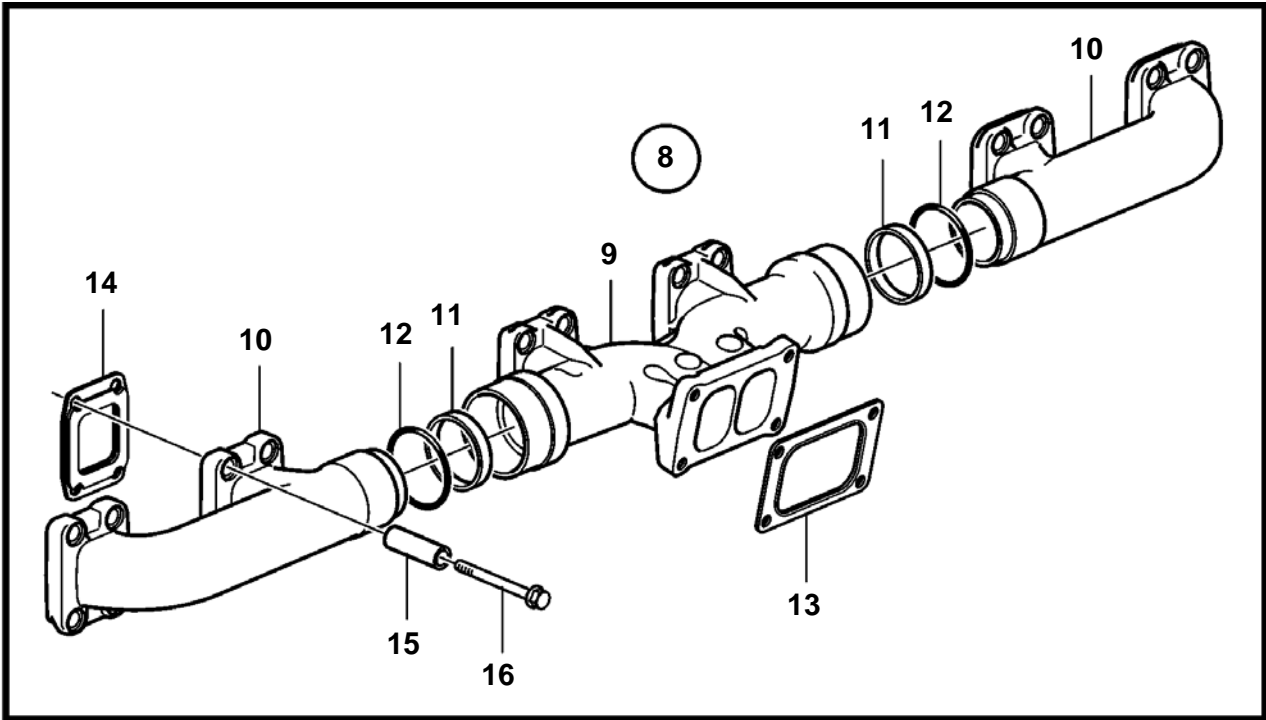


19951

TAD1640GE, TAD1641GE, TAD1642GE

REF	PART NO.	QTY	DESCRIPTION	NOTES
1	3834466	1	Starter element	
2		1	· Intermediate section	
3		1	· Wire element	
4	468468	12	· Sleeve	
5	191156	12	· Washer	
6	949652	12	· Screw	
7	468825	2	· Terminal screw	
8	192288	2	· Washer	
9	468511	2	· Bushing	
10		2	· Isolation plate	
11		4	· Isolation plate	
12	945444	1	Flange screw	(949578)
13	478896	1	Sleeve	
14	955894	1	Washer	
15	17624	2	Nut	
16	3587424	1	Wiring harness	
17	873789	1	Diode	
18	471476	1	Attaching plate	
19	873962	1	Relay	
20	969405	2	6 point socket screw	
21	949874	2	Lock nut	
22	940090	2	Washer	
23	1581123	1	Cover	
24	421692	1	Support	

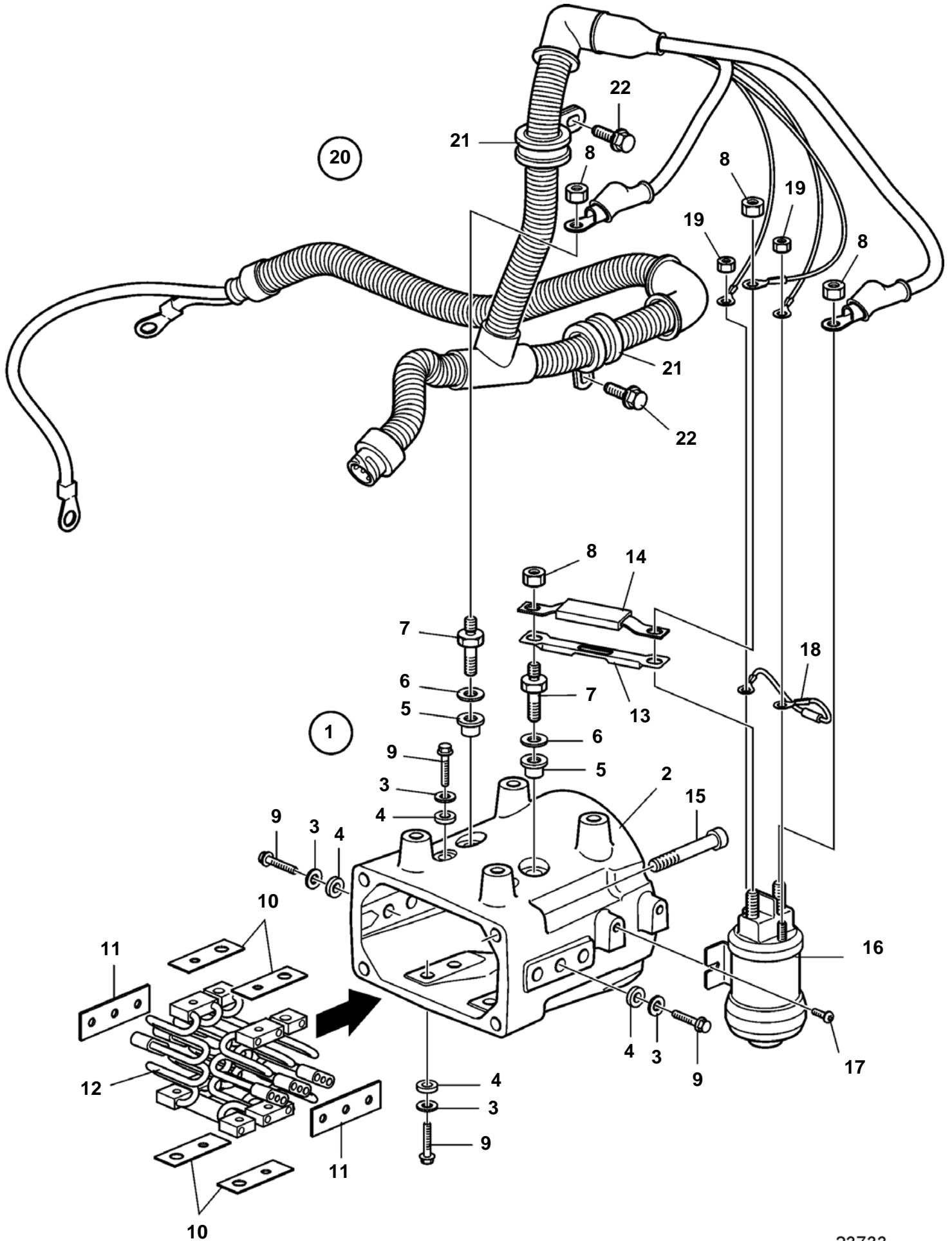
TWD1643GE



TWD1643GE

REF	PART NO.	QTY	DESCRIPTION	SEE SEC.	NOTES
1	3887300	1	Inlet pipe		
2	1161231	X	Sealant		310ml
	1161277	X	Sealant		10g
3	965181	8	Screw		
4	960628	1	Plug		
5	947281	1	Gasket		
6	479979	1	Plug		
7	965184	4	Screw		
8	11447007	1	Exhaust manifold		
9		1	· Exhaust manifold		
10		2	· Exhaust manifold		
11	20883460	2	· Sealing ring		
12	20742562	2	· O-ring		
13	20784537	1	Gasket		
14	20744865	6	Gasket		
15	1546517	24	Spacer sleeve		
16	965189	24	Flange screw		
17	477314	1	Gasket		
18	3819105	1	Adapter		
19	3886863	1	Starter element		
				21715	
20	963702	4	Screw		

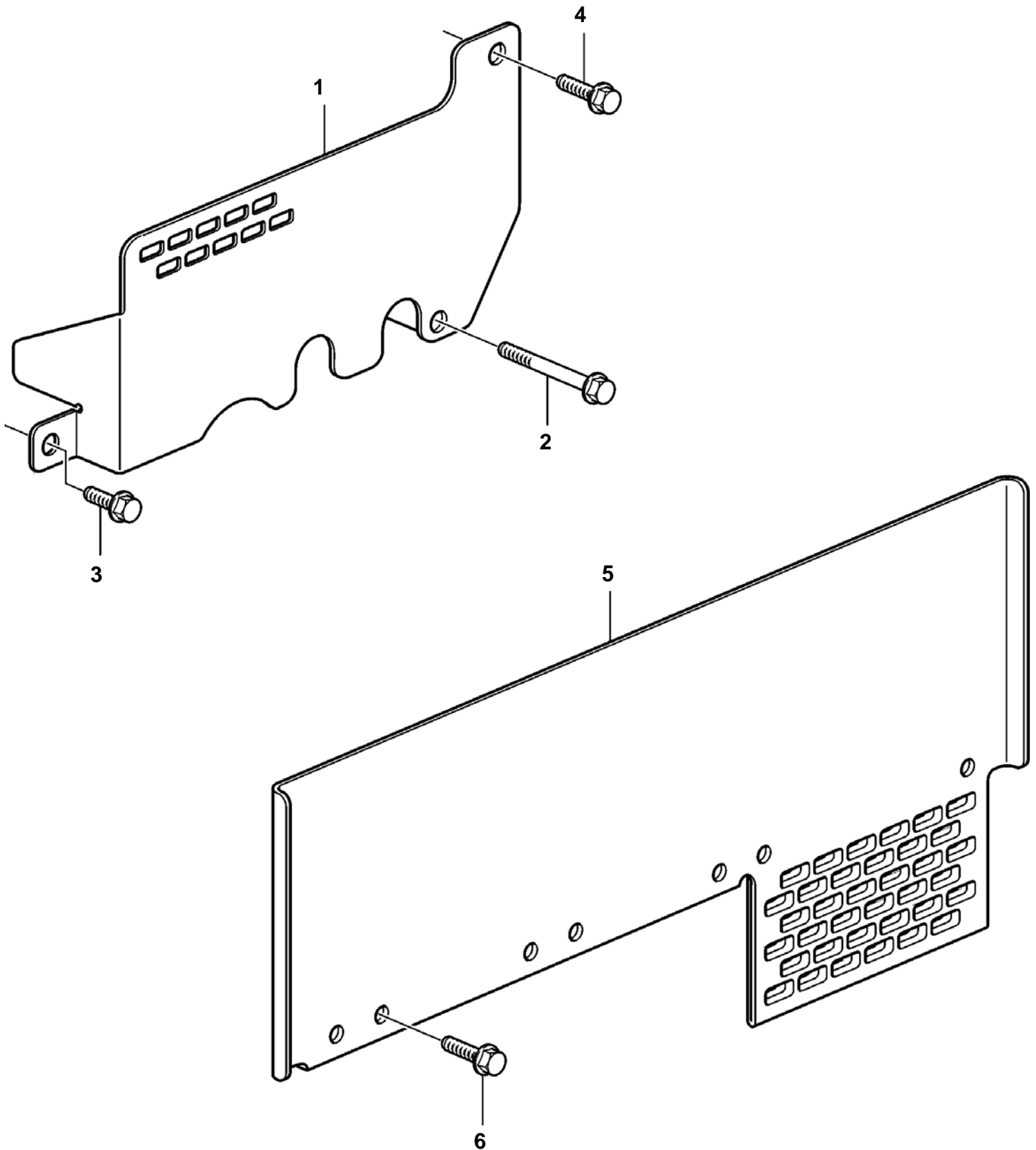
TWD1643GE



TWD1643GE

REF	PART NO.	QTY	DESCRIPTION
1	3886863	1	Starter element
2		1	· Adapter
3	191156	12	· Washer
4	468468	12	· Sleeve
5	468511	2	· Bushing
6	192288	2	· Washer
7	468825	2	· Terminal screw
8	17624	4	· Nut
9	949652	12	· Screw
10		4	· Plate
11		2	· Plate
12		1	· Wire element
13	471477	1	Fuse
14	421692	1	Support
15	963702	4	Screw
16	873962	1	Relay
17	969405	2	6 point socket screw
18	873789	1	Diode
19	965483	2	Nut
20	3884333	1	Cable harness
21	947827	2	Clamp
22	946440	1	Flange screw

TAD1640GE, TAD1641GE, TAD1642GE

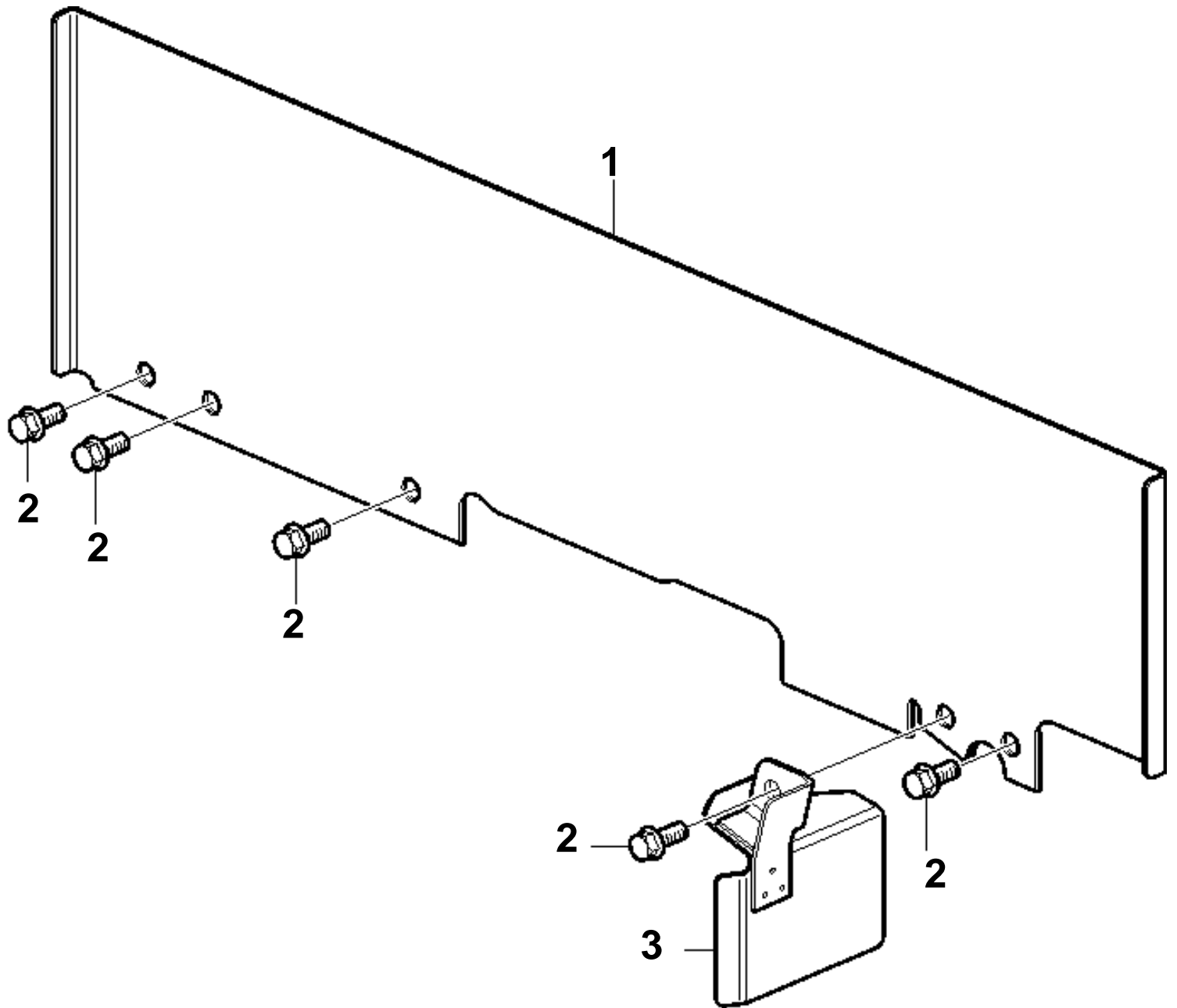


23817

TAD1640GE, TAD1641GE, TAD1642GE

REF	PART NO.	QTY	DESCRIPTION
1	3818518	1	Heat shield
2	968553	1	Screw
3	946502	1	Screw
4	946329	1	Flange screw
5	3884338	1	Heat shield
6	946471	3	Screw

TWD1643GE

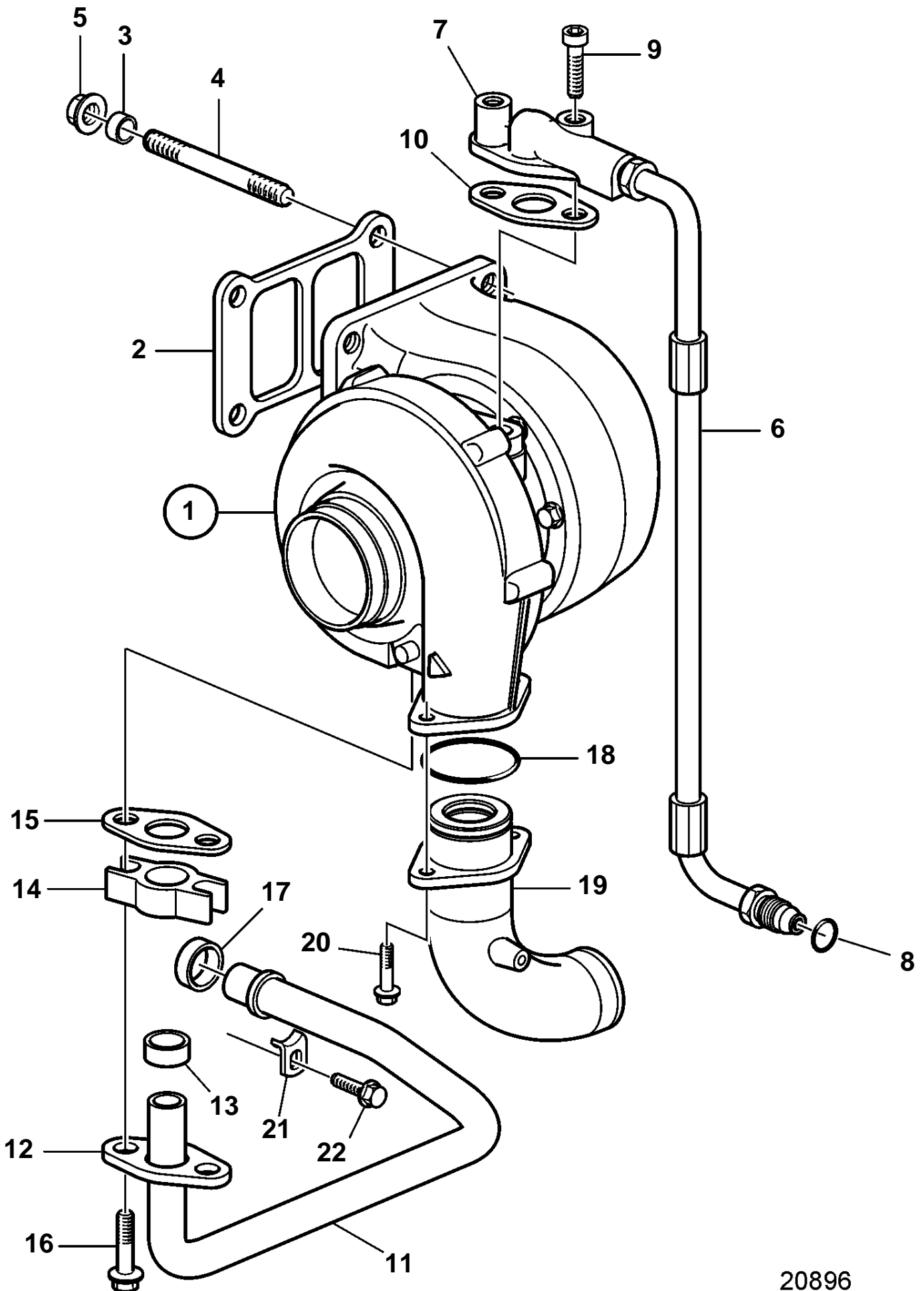


23862

TWD1643GE

REF	PART NO.	QTY	DESCRIPTION
1	3594612	1	Heat shield
2	946471	5	Screw
3	20838254	1	Shield

TAD1640GE

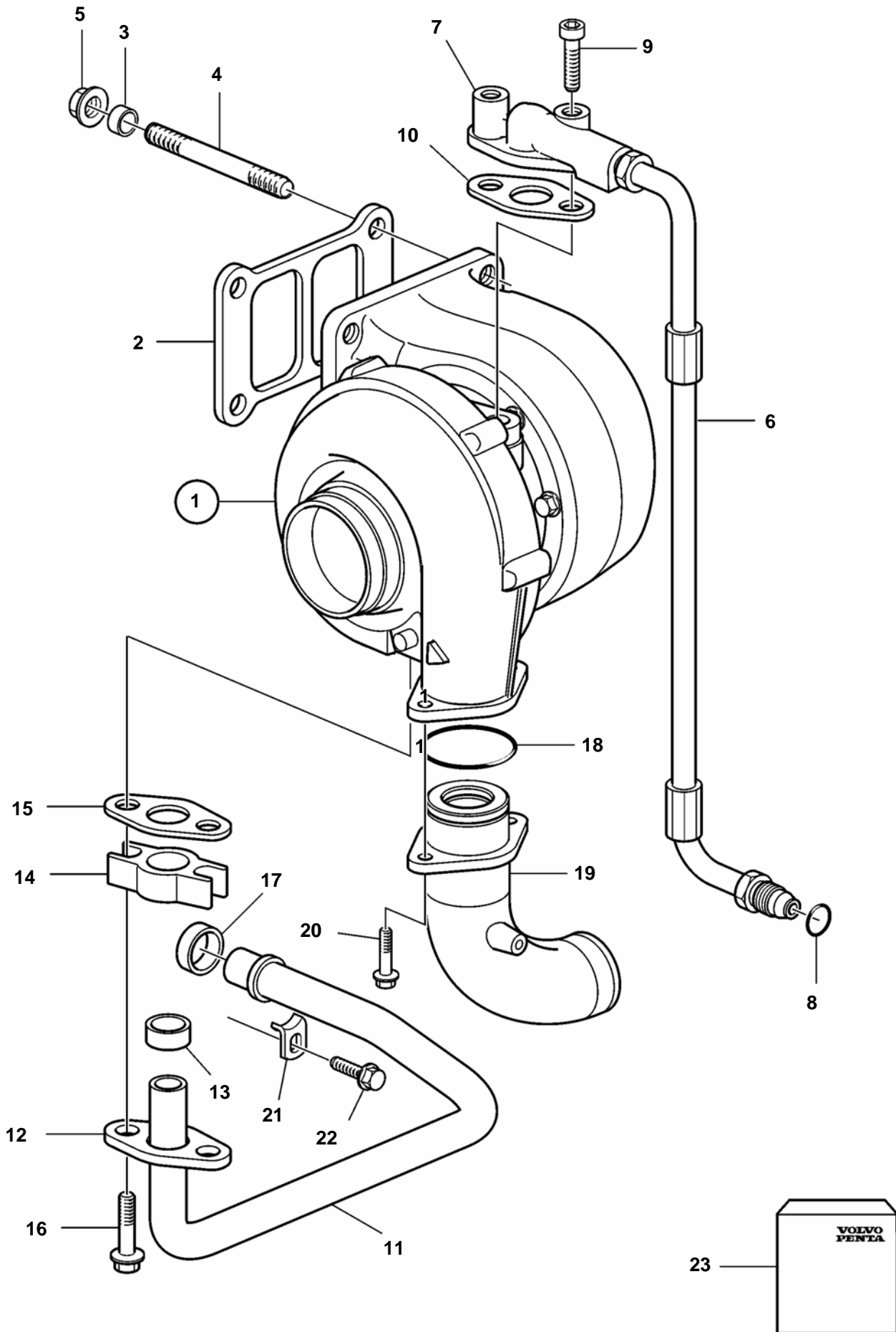


20896

TAD1640GE

REF	PART NO.	QTY	DESCRIPTION	NOTES
1	3802140	1	Turbocharger, exch	
			Parts not sold separately	
2	20784537	1	Gasket	(470939)
3	478344	4	Spacer sleeve	
4	20579303	4	Stud	(977299)
5	1543499	4	Nut	
6	3836392	1	Oil feed hose	
7	8192268	1	· Flange	
8	976971	1	· O-ring	
9	946470	2	Flange screw	
10	420641	1	Gasket	
11	3841514	1	Oil return pipe	
12	469543	1	Flange	
13	469601	1	Sealing ring	
14	8148729	1	Connector	
15	470993	1	Gasket	
16	947760	2	Flange screw	
17	1547255	1	Sealing ring	
18	948980	1	O-ring	
19	3838234	1	Connection pipe	
20	946329	2	Flange screw	
21	1546531	1	Lock brace	
22	946440	1	Flange screw	

TAD1641GE, TAD1642GE

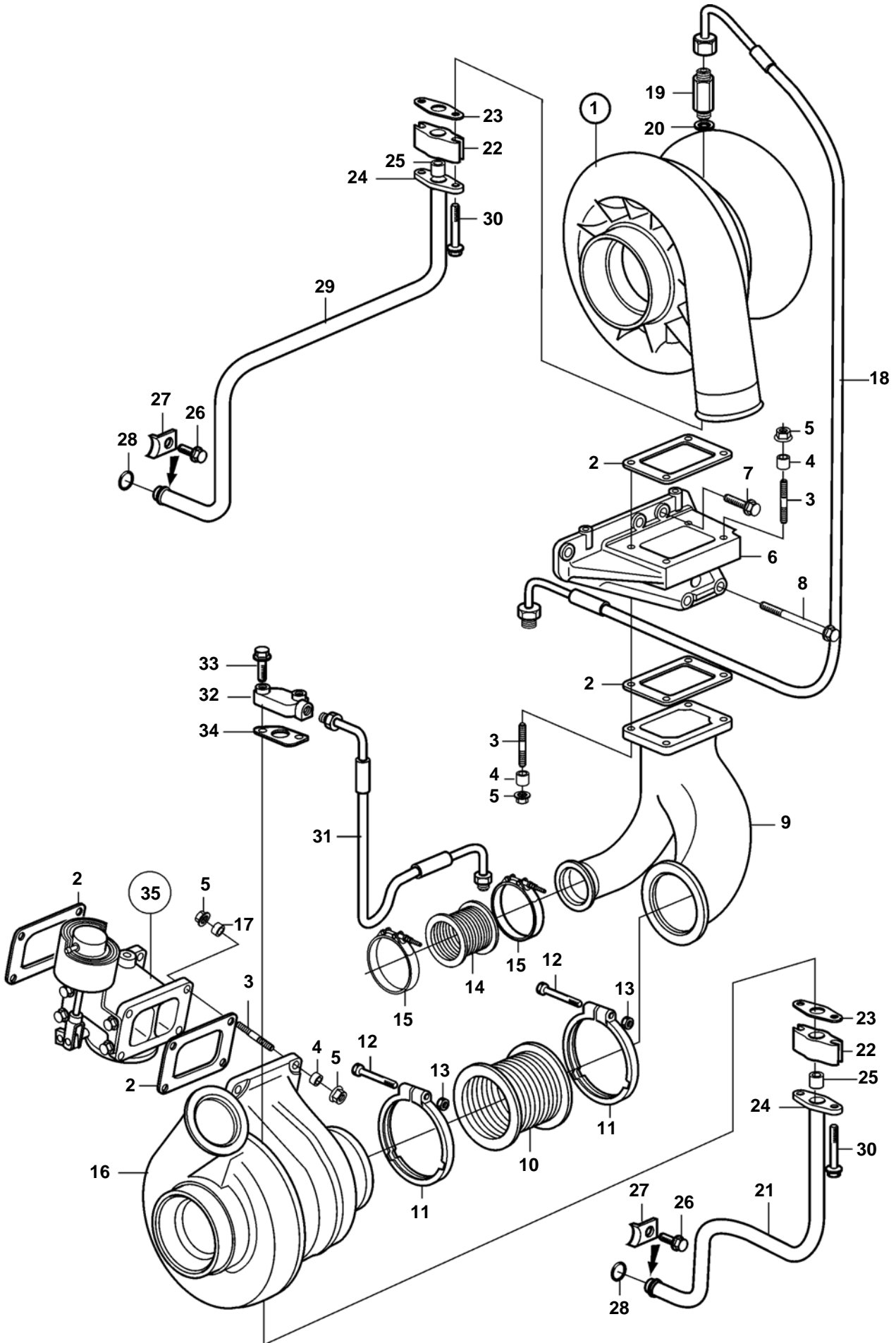


24082

TAD1641GE, TAD1642GE

REF	PART NO.	QTY	DESCRIPTION	NOTES
1	3802141	1	Turbocharger, exch Parts not sold separately	
2	20784537	1	Gasket	(470939)
3	478344	4	Spacer sleeve	
4	20579303	4	Stud	(977299)
5	1543499	4	Nut	
6	3836392	1	Oil feed hose	
7	8192268	1	· Flange	
8	976971	1	· O-ring	
9	946470	2	Flange screw	
10	420641	1	Gasket	
11	3841514	1	Oil return pipe	
12	469543	1	Flange	
13	469601	1	Sealing ring	
14	8148729	1	Connector	
15	470993	1	Gasket	
16	947760	2	Flange screw	
17	1547255	1	Sealing ring	
18	948980	1	O-ring	
19	3838234	1	Connection pipe	
20	946329	2	Flange screw	
21	1546531	1	Lock brace	
22	946440	1	Flange screw	
23	877484	1	Repair kit	

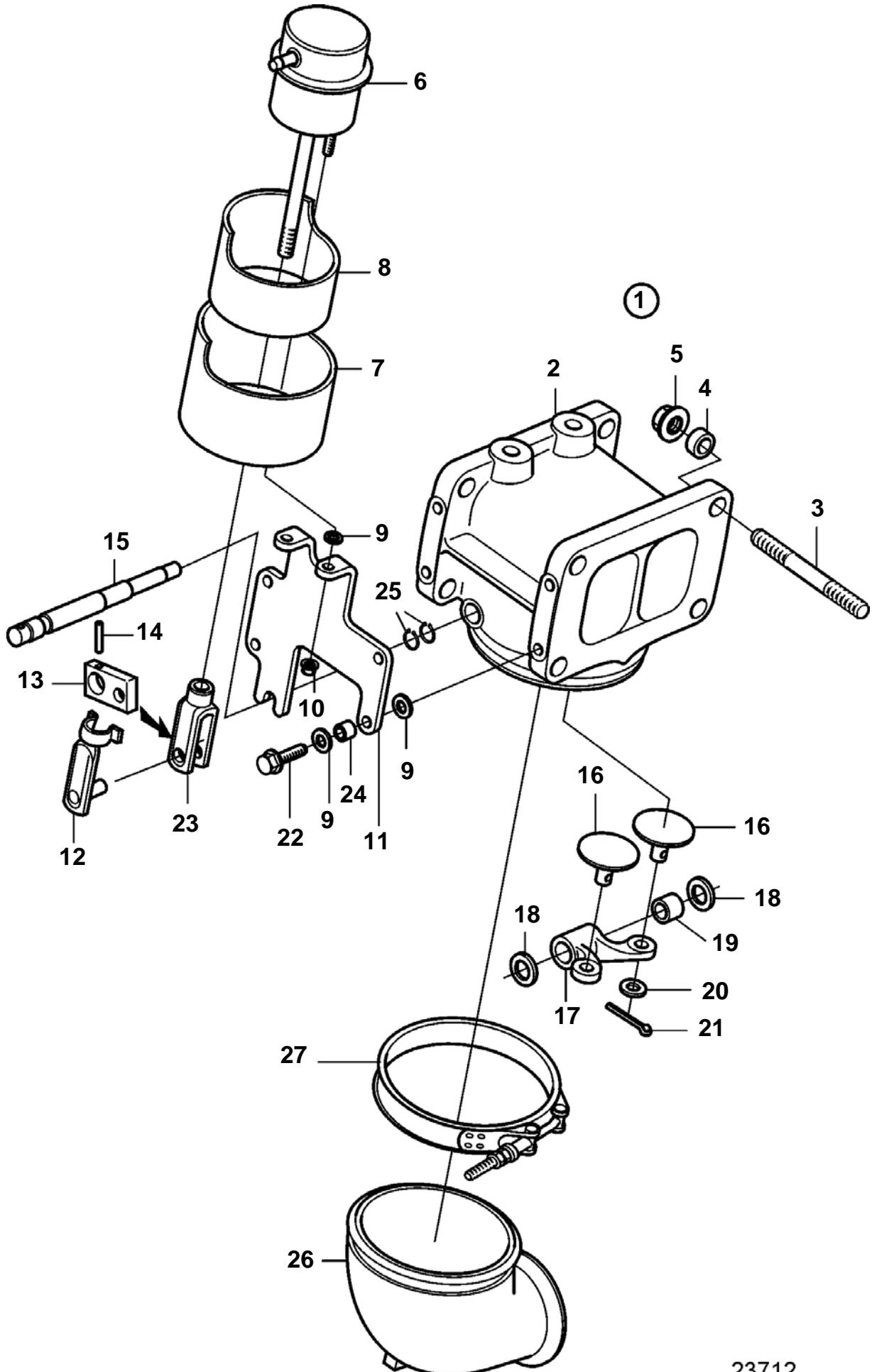
TWD1643GE



TWD1643GE

REF	PART NO.	QTY	DESCRIPTION	SEE SEC.
1	3801142	1	Turbocharger, exch	
2	20784537	4	Gasket	
3	20579303	12	Stud	
4	478344	12	Spacer sleeve	
5	971095	16	Nut	
6	3843827	1	Bracket	
7	965185	3	Flange screw	
8	973096	2	Flange screw	
9	3847904	1	Exhaust manifold	
10	3840550	1	Exhaust bellows	
11	1556930	2	Clamp	
12	973924	2	Flange screw	
13	948645	2	Lock nut	
14	3841253	1	Exhaust bellows	
15	3886541	2	Clamp	
16	3801141	1	Turbocharger, exch	
17	470467	4	Spacer sleeve	
18	3842309	1	Pressure hose	
19	3842682	1	Nipple	
20	11998	1	Gasket	
21	3593601	1	Oil return pipe	
22	8148729	2	Connector	
23	470993	2	Gasket	
24	469543	2	Flange	
25	469601	2	Sealing ring	
26	946440	2	Flange screw	
27	1546531	2	Lock brace	
28	1547255	2	Sealing ring	
29	3842071	1	Oil return pipe	
30	947760	4	Flange screw	
31	3887262	1	Oil hose	
32	8192268	1	Flange	
33	946470	2	Flange screw	
34	420641	1	Gasket	
35	3819610	1	Valve	
				21685

TWD1643GE

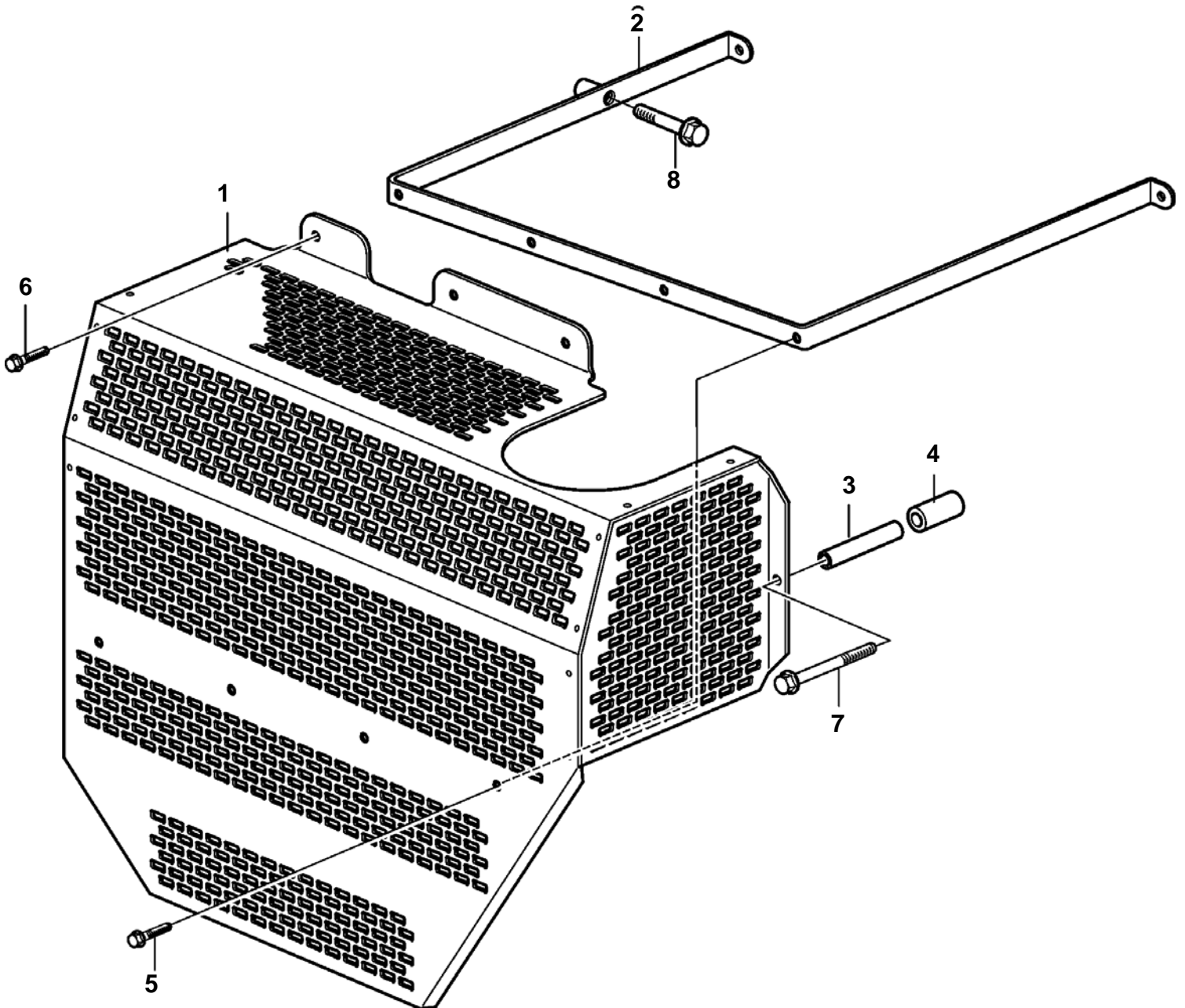


23712

TWD1643GE

REF	PART NO.	QTY	DESCRIPTION
1	3819610	1	Valve
2		1	· Valve housing
3	20579303	4	· Stud
4	470467	4	· Spacer sleeve
5	971095	4	· Nut
6	3840520	1	· Actuator
7		1	· Heat shield
8		1	· Heat shield
9	940191	10	· Washer
10	945407	2	· Flange nut
11		1	· Bracket
12	990759	1	· Fork
13		1	· Lever
14		1	· Tensioning din
15		1	· Shaft
16		2	· Valve
17		1	· Valve
18	942551	2	· Washer
19		1	· Bushing
20	941670	2	· Washer
21	967707	2	· Cotter pin
22	947542	4	· Screw
23	992102	1	· Bolt
24	1357345	4	· Spacer sleeve
25	990793	1	· Shoulder ring
26		1	· Cover
27	3886542	1	· Clamp

TAD1640GE, TAD1641GE, TAD1642GE

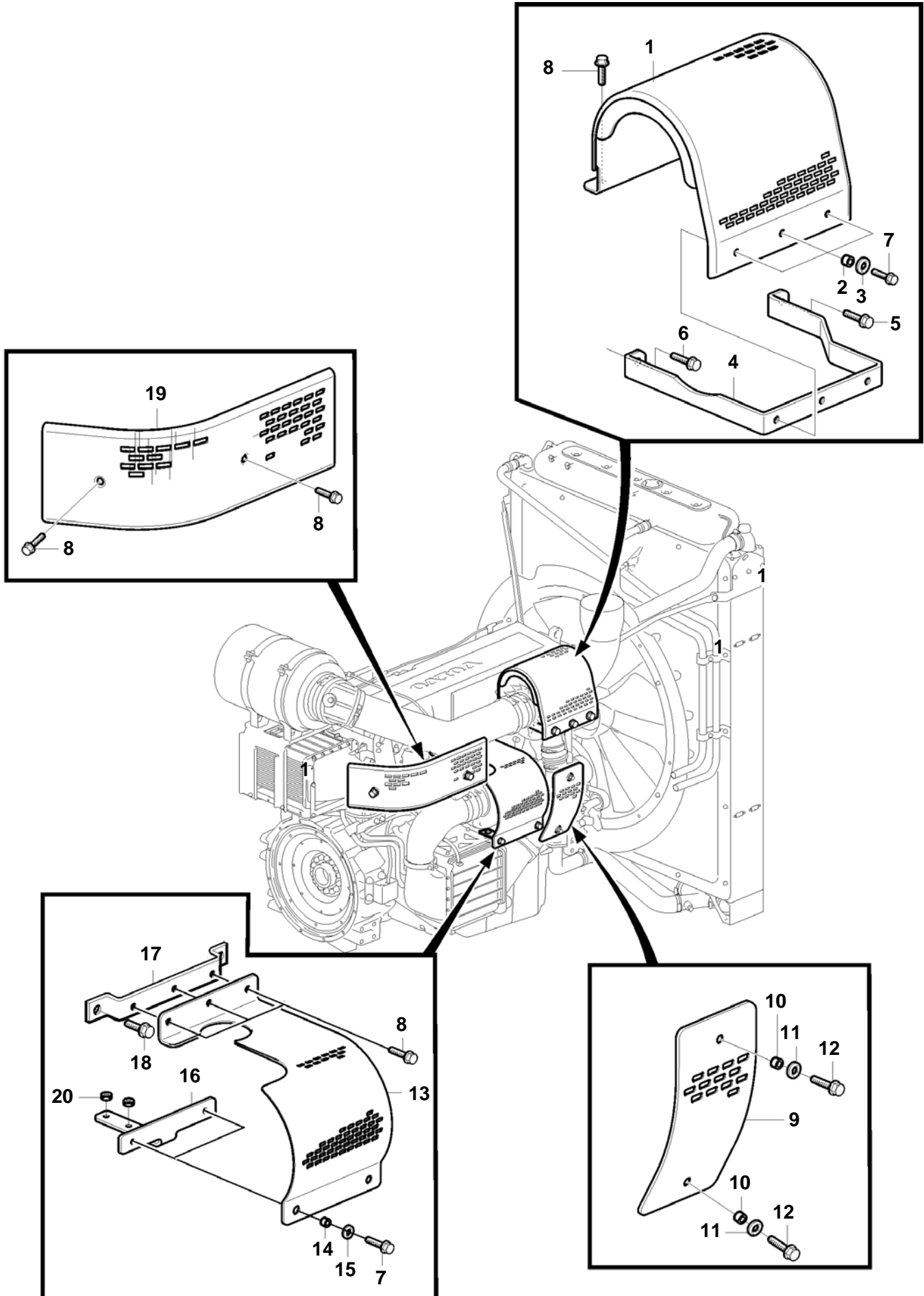


20897

TAD1640GE, TAD1641GE, TAD1642GE

REF	PART NO.	QTY	DESCRIPTION	NOTES
1	3807766	1	Heat shield	
2	3812665	1	Bracket	
3	3830771	1	Spacer sleeve	L=60mm
4	822791	1	Spacer sleeve	L=55mm
5	946440	4	Flange screw	
6	946471	3	Screw	
7	973096	1	Flange screw	
8	945444	1	Flange screw	

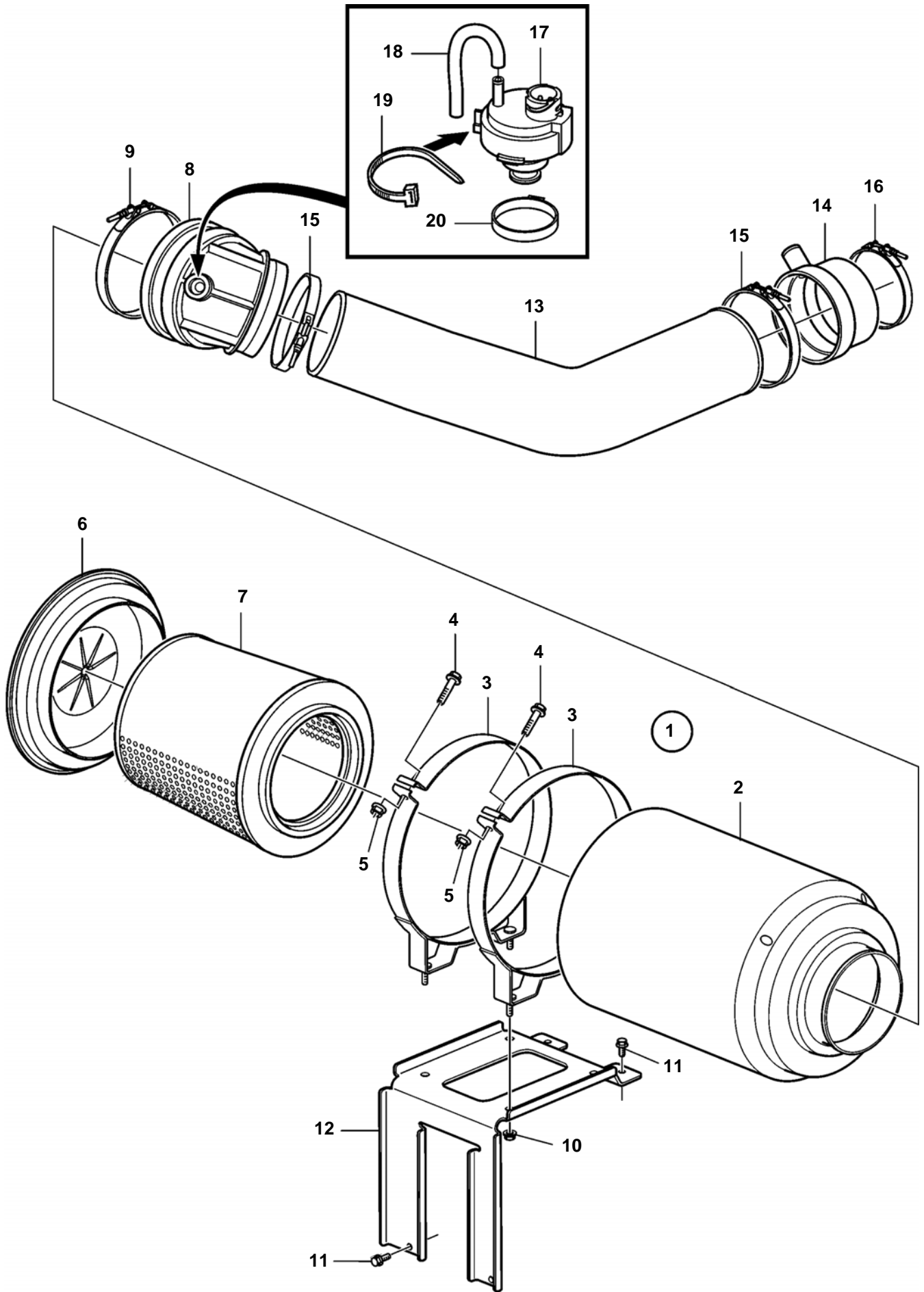
TWD1643GE



TWD1643GE

REF	PART NO.	QTY	DESCRIPTION
1	3886212	1	Heat shield
2	3830336	3	· Spacer
3	3886025	3	· Rubber seal
4	3886046	1	Bracket
5	946441	1	Screw
6	946329	1	Flange screw
7	945444	5	Flange screw
8	946440	5	Flange screw
9	3886026	1	Heat shield
10	3830336	2	· Spacer
11	3886025	2	· Rubber seal
12	946173	2	Flange screw
13	3886033	1	Heat shield
14	3830336	2	· Spacer
15	3886025	2	· Rubber seal
16	3886036	1	Bracket
17	3889030	1	Bracket
18	946472	1	Screw
19	3886184	1	Heat shield
20	945408	2	Flange nut

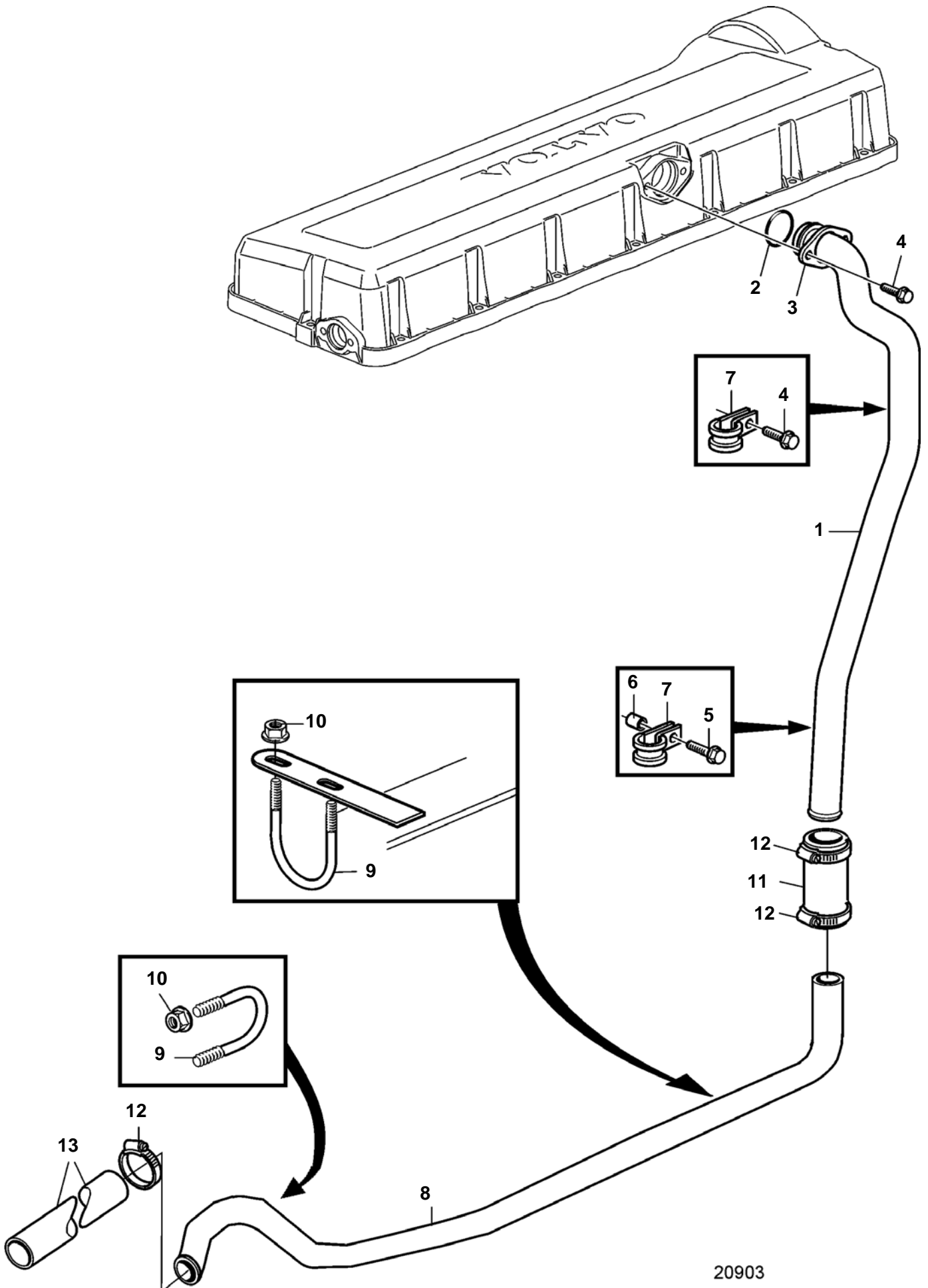
TWD1643GE



TWD1643GE

REF	PART NO.	QTY	DESCRIPTION	NOTES
1	21202081	1	Air filter kit	
2		1	· Filter housing	
3		2	· Tensioning band	
4		2	· · Screw	
5		2	· · Nut	
6		1	· Cover	
7	21186955	211	· Air filter insert	
8	3883219	1	Connection pipe	
9	4775104	2	Hose clamp	
10	971095	4	Nut	
11	946440	4	Flange screw	
12	3843905	1	Bracket	
13	8149322	1	Connection pipe	
14	3588022	1	Rubber collar	
15	1674223	2	Hose clamp	
16	1544736	1	Hose clamp	
17	20560843	1	Sender	
18	949931	X	Rubber hose	L=150mm
19	948702	X	Strip clamp	
20	943476	1	Hose clamp	

TAD1640GE, TAD1641GE, TAD1642GE

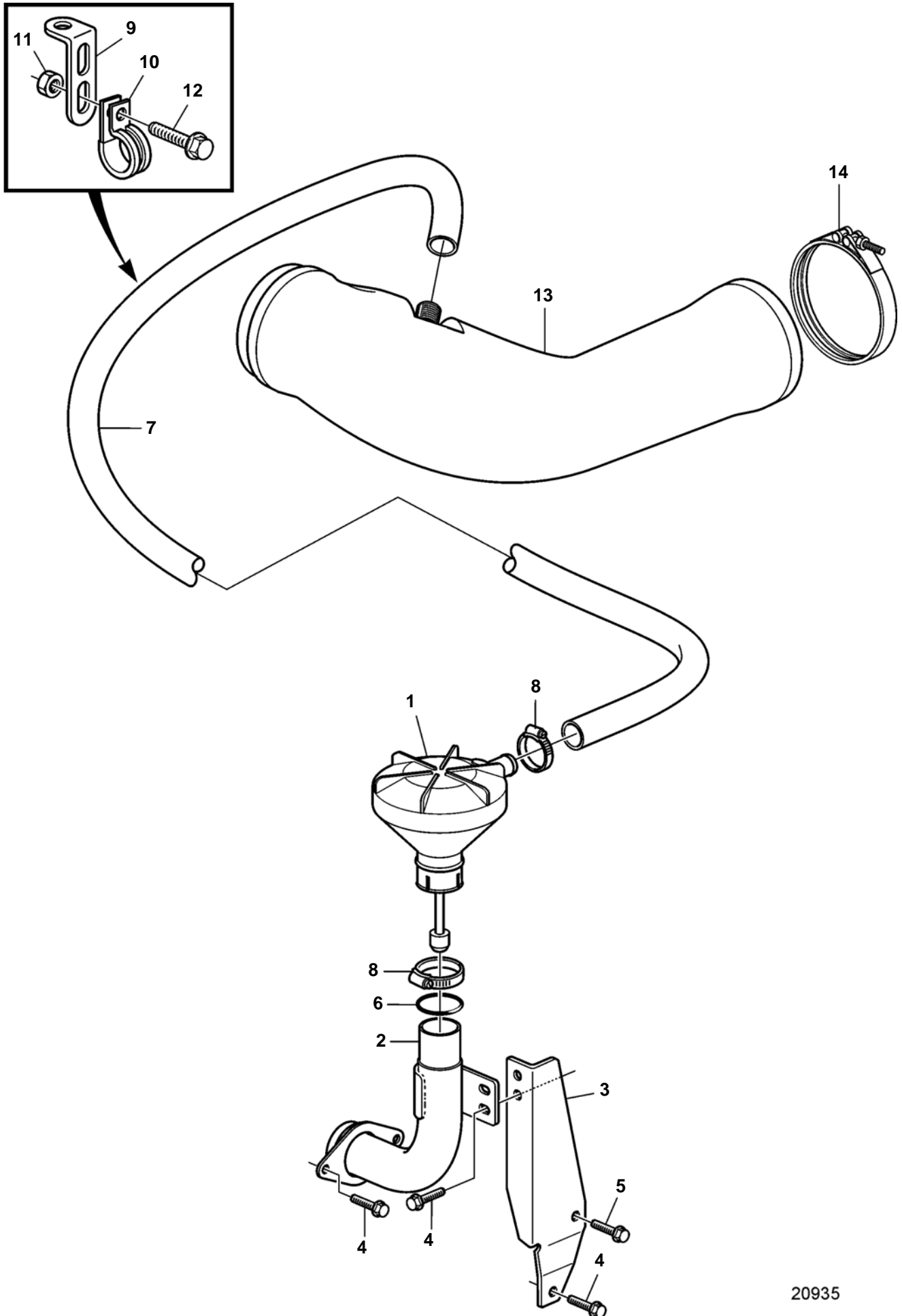


20903

TAD1640GE, TAD1641GE, TAD1642GE

REF	PART NO.	QTY	DESCRIPTION	NOTES
1	20519942	1	Pipe	
2	20723207	1	Sealing ring	
3	20519944	1	Flange	
4	946440	3	Flange screw	
5	965216	1	Screw	
6	807257	1	Spacer sleeve	
7	941976	2	Clamp	
8	3809016	1	Pipe	For thrust fan.
9	3838740	2	Clamp	
10	945408	4	Flange nut	
11	3839144	1	Rubber hose	L=90mm
12	943477	3	Hose clamp	
13	3839144	1	Rubber hose	L=500mm

TAD1640GE, TAD1641GE, TAD1642GE

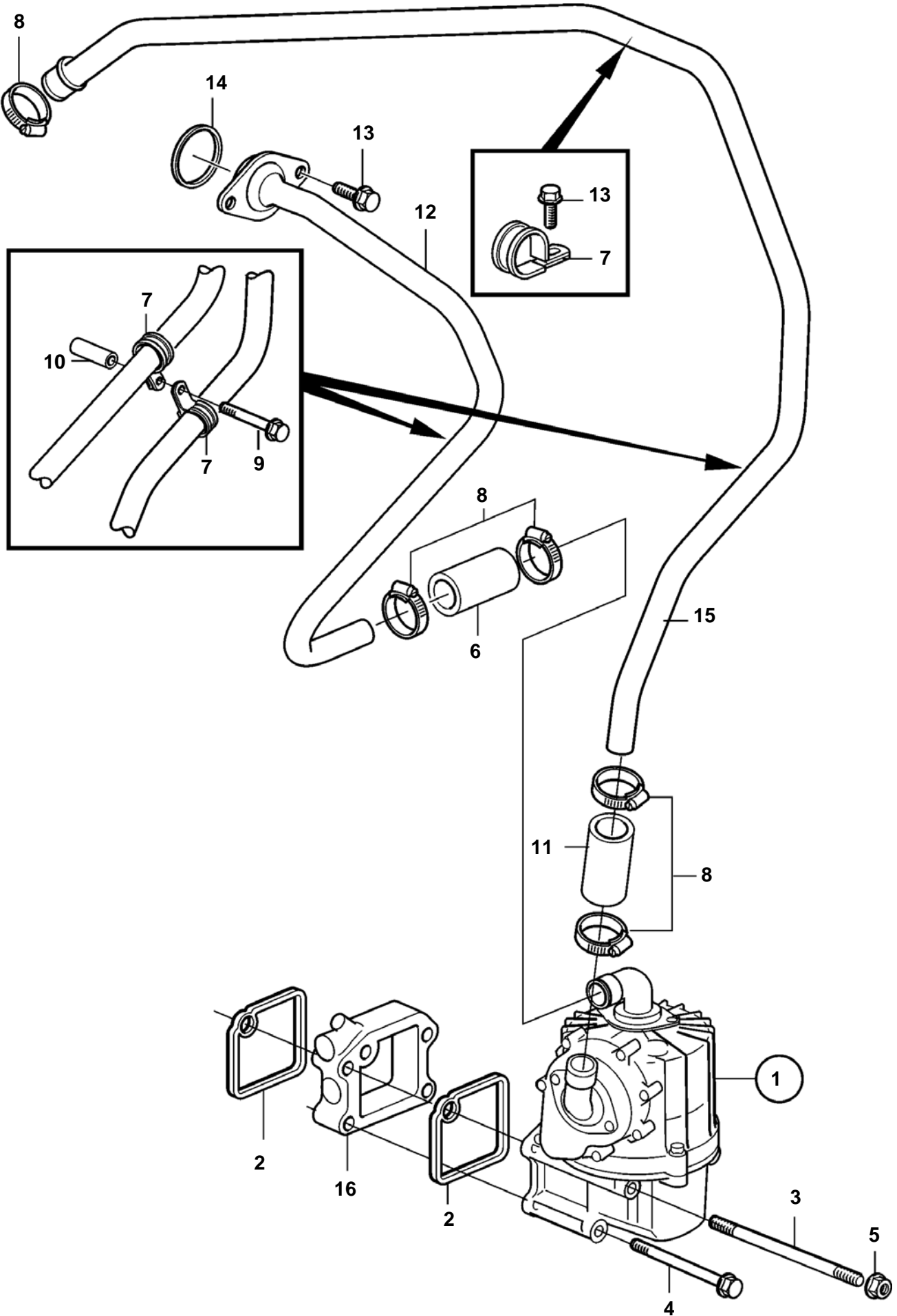


20935

TAD1640GE, TAD1641GE, TAD1642GE

REF	PART NO.	QTY	DESCRIPTION	NOTES
1	3825036	1	Filter	
2	3829152	1	Pipe	
3	889760	1	Bracket	
4	946440	5	Flange screw	
5	968999	1	Screw	
6	949722	1	O-ring	
7	942707	X	Rubber hose	L=1,0m
8	943475	2	Hose clamp	
9	965553	1	Bracket	
10	941976	1	Clamp	
11	945408	1	Flange nut	
12	946173	1	Flange screw	
13	3838392	1	Connection pipe	
14	1674223	2	Hose clamp	

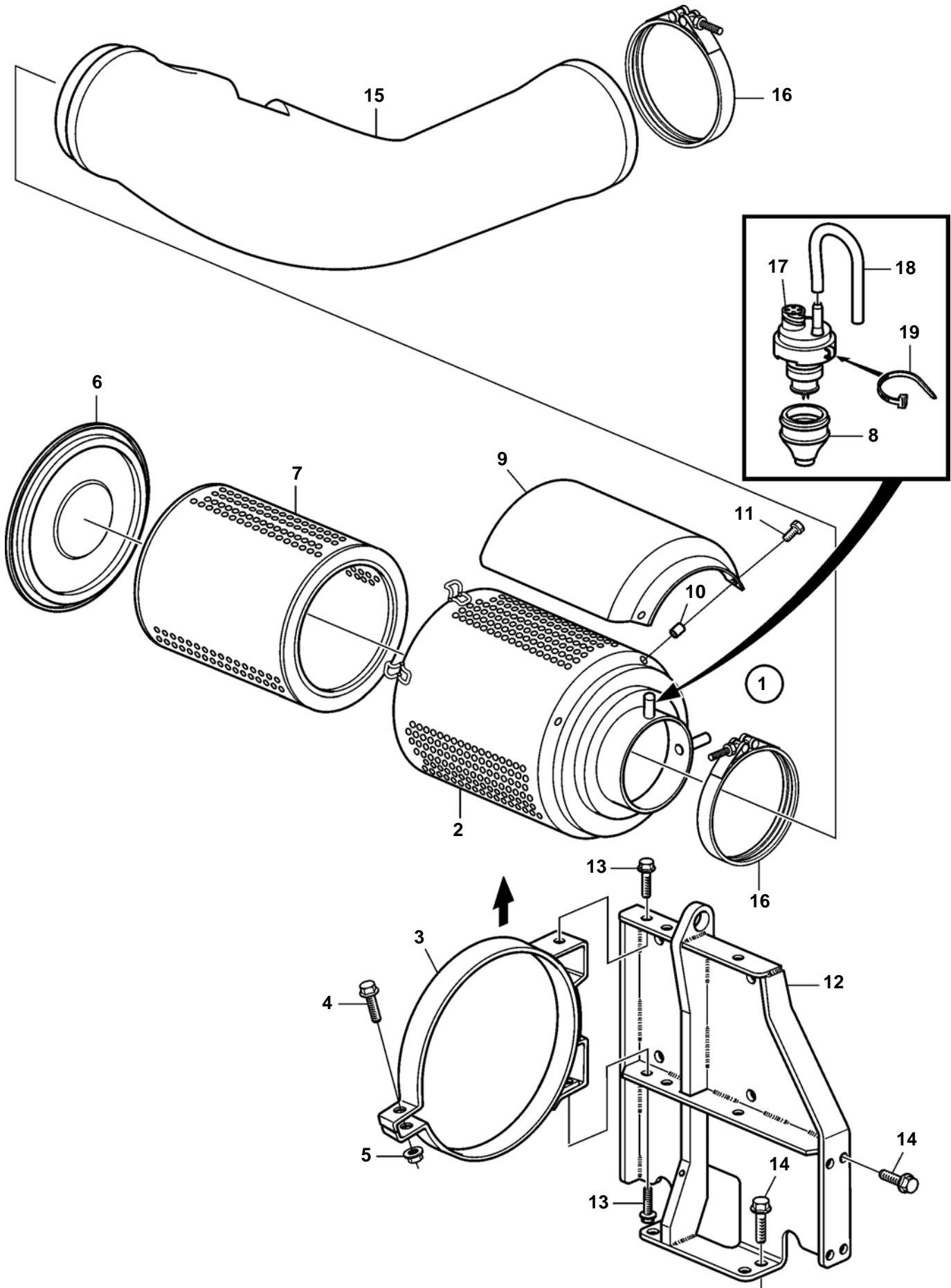
TWD1643GE



TWD1643GE

REF	PART NO.	QTY	DESCRIPTION
1	20566628	1	Oil separator
2	20532891	2	Seal
3	981440	2	Stud
4	968999	2	Screw
5	945408	2	Flange nut
6		1	Hose
7	947827	3	Clamp
8	943475	5	Hose clamp
9	965216	1	Screw
10	807257	1	Spacer sleeve
11	20580933	1	Hose
12	3595073	1	Breather pipe
13	946440	3	Flange screw
14	20723207	1	Sealing ring
15	3887104	1	Pipe
16		1	Spacer

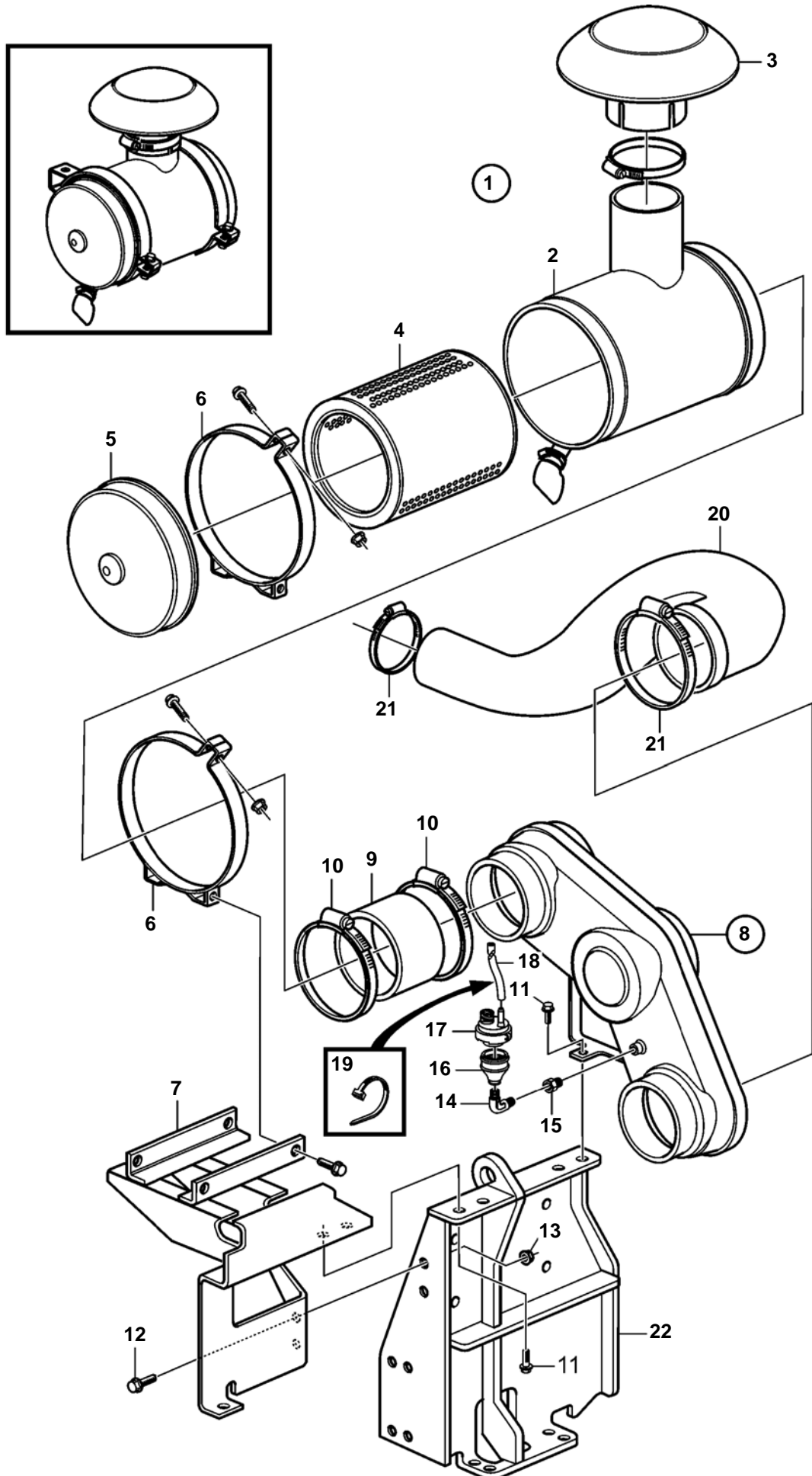
TAD1640GE, TAD1641GE, TAD1642GE



TAD1640GE, TAD1641GE, TAD1642GE

REF	PART NO.	QTY	DESCRIPTION	NOTES
1	21186950	1	Air filter kit	
2		1	· Filter housing	
3		2	· Tensioning band	
4		2	· · Screw	
5		2	· · Nut	
6		1	· Cover	
7	21186955	1	· Air filter insert	
8	3839145	1	Adapter	
9	3830971	1	Rain cap	
10	930760	4	Rivet nut	
11	947542	4	Screw	
12	3828704	1	Bracket	
13	946329	4	Flange screw	
14	965191	10	Screw	
15	3838391	1	Connection pipe	
16	1674223	2	Hose clamp	
17	20560843	1	Sender	
18	949931	X	Rubber hose	L=150mm
19	948702	X	Strip clamp	

TAD1640GE, TAD1641GE, TAD1642GE

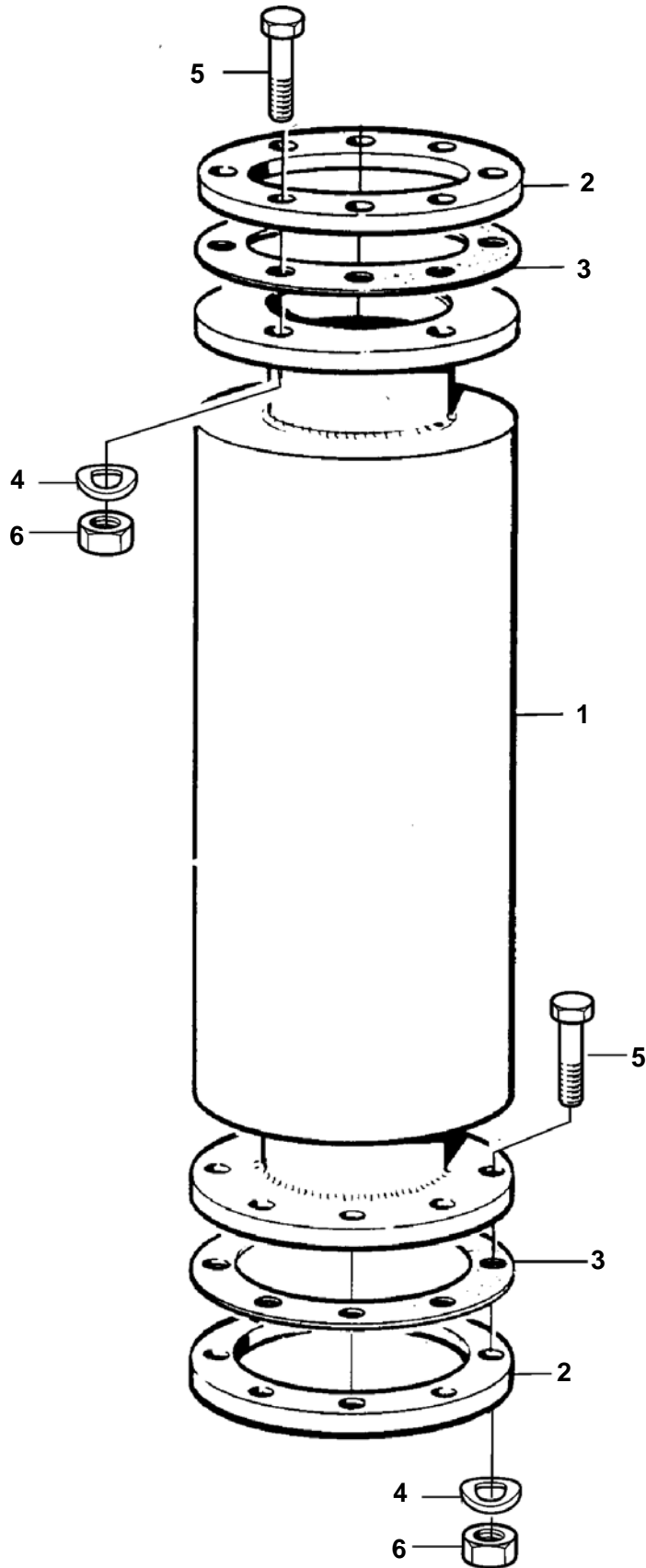


20899

TAD1640GE, TAD1641GE, TAD1642GE

REF	PART NO.	QTY	DESCRIPTION	NOTES
1	3829102	2	Air filter kit	
2		1	· Housing	
3	3837728	1	· Cover	
4	3839340	1	· Air filter insert	
5		1	· Cover	
6		2	· Tensioning band	
7	3830203	1	Bracket	
8	3884346	1	Connection pipe	(3829109)
9	3586028	2	Rubber bellows	
10	943485	4	Clamp	
11	946329	10	Flange screw	
12	946441	2	Screw	
13	971095	1	Nut	
14	16218	1	Elbow nipple	
15	191095	1	Nipple	
16	3839145	1	Adapter	
17	20560843	1	Sender	
18	949931	1	Rubber hose	L=150mm
19	948702	1	Strip clamp	
20	3838392	1	Connection pipe	
21	1674223	2	Hose clamp	
22	3828704	1	Bracket	

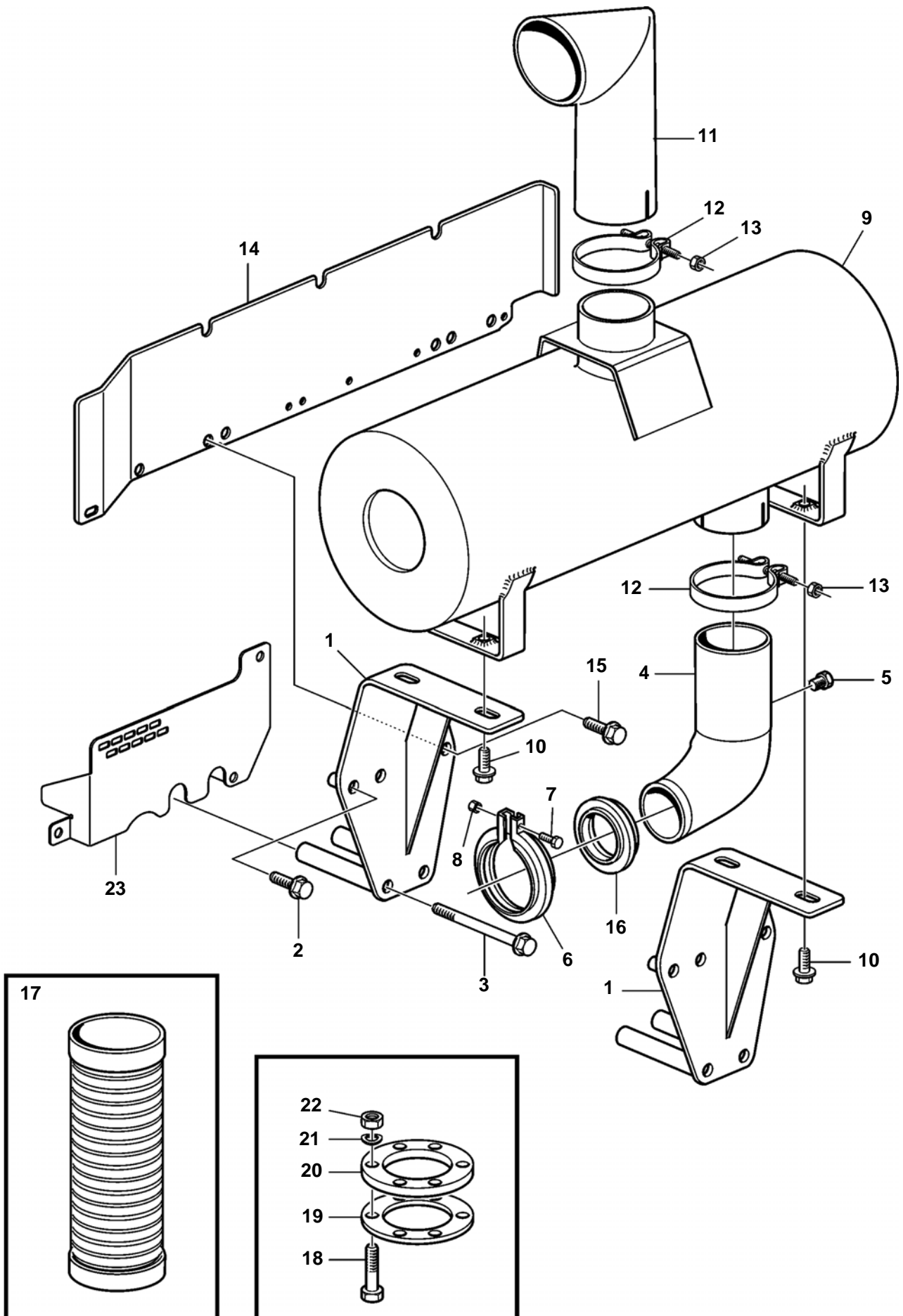
TAD1640GE, TAD1641GE, TAD1642GE



TAD1640GE, TAD1641GE, TAD1642GE

REF	PART NO.	QTY	DESCRIPTION	NOTES
1	863049	1	Muffler	6"
	849832	1	Muffler	7"
2		2	Weld flange	6"
	849981	2	Weld flange	7"
3	862976	2	Gasket	6"
	862950	2	Gasket	7"
4	941912	16	Spring washer	
5	955366	16	Screw	
6	955785	16	Nut	

TAD1640GE, TAD1641GE, TAD1642GE

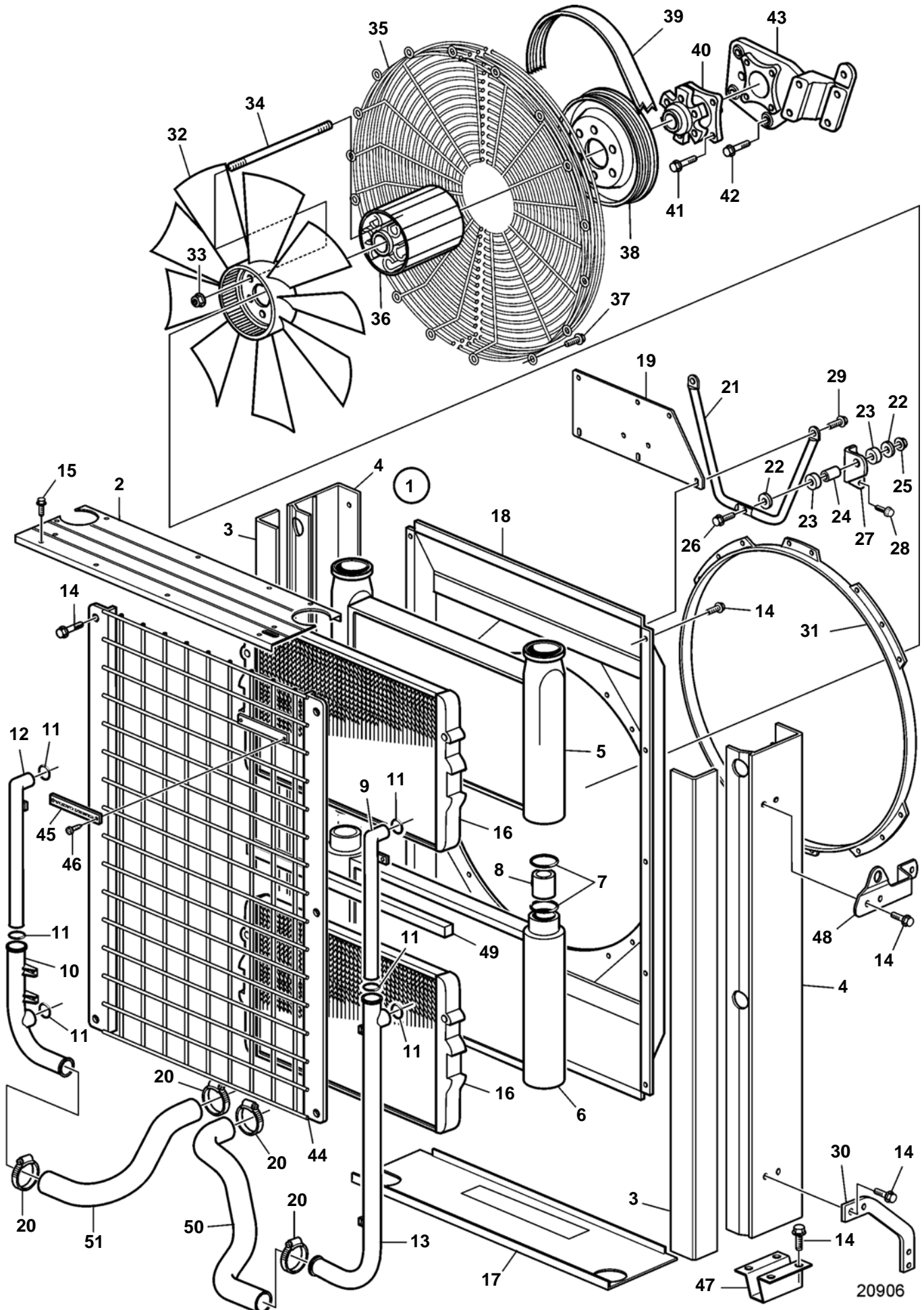


23818

TAD1640GE, TAD1641GE, TAD1642GE

REF	PART NO.	QTY	DESCRIPTION	NOTES
1	3819636	2	Bracket	
2	973096	4	Flange screw	
3	965185	4	Flange screw	
4	3838156	1	Exhaust riser	6"
	3838157	1	Exhaust riser	7"
5	479979	1	Plug	
6	1624612	1	Clamp	
7	965216	1	Screw	
8	948645	1	Lock nut	
9	3819614	1	Muffler	
10	965191	4	Screw	
11	3837622	1	Exhaust pipe	
12	3837623	2	Clamp	
13	977938	2	Flange lock nut	
14	3884341	1	Heat shield	
15	946471	3	Screw	
16	3838153	1	Flange	For 3838156
17	3828218	1	Exhaust pipe	
18	955368	8	Screw	
19	862593	1	Gasket	
20	836883	1	Exhaust pipe flange	
21	941912	8	Spring washer	
22	955785	8	Nut	
23	3818518	1	Heat shield	

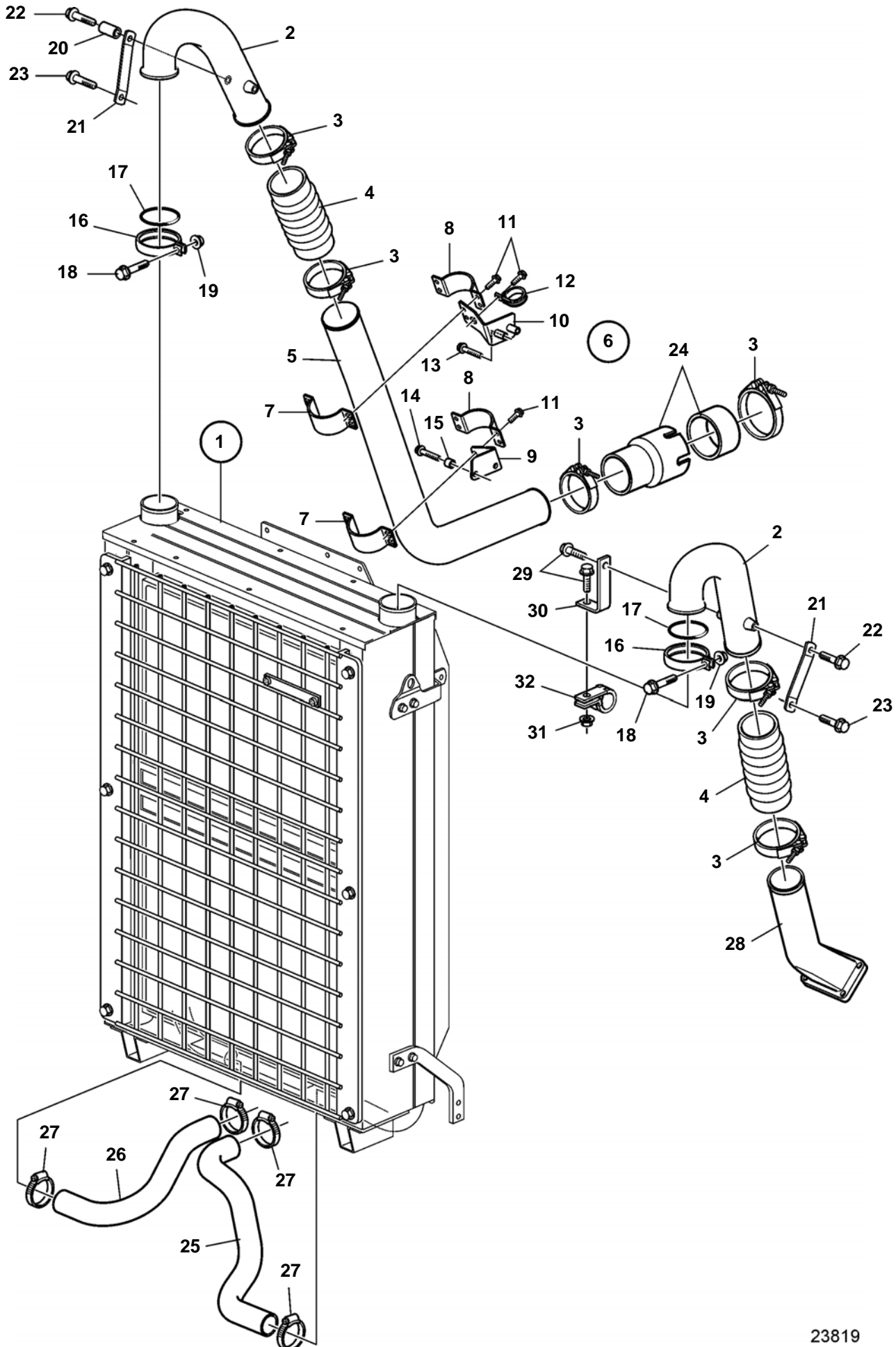
TAD1640GE, TAD1641GE, TAD1642GE



TAD1640GE, TAD1641GE, TAD1642GE

REF	PART NO.	QTY	DESCRIPTION	NOTES
1		1	Radiator	
2	3587701	1	· Frame	
3	3587742	2	· Frame	
4	3587699	1	· Frame	
5	3838129	1	· Intercooler	
6	3587692	1	· Intercooler	
7	3587694	8	· O-ring	
8	3587693	2	· Intermediate pipe	
9	3587695	1	· Pipe	
10	3587697	1	· Pipe	
11	3587350	6	· O-ring	
12	3587696	1	· Pipe	
13	3587698	1	· Pipe	
14	946440	18	· Flange screw	
15	3587729	22	· Screw	
16	3838130	2	· Radiator	
17	3587700	1	· Frame	
18	3838131	1	· Fan shroud	
19	3587730	1	· Bracket	
20	943480	4	Hose clamp	
21	889223	1	Stay	
22	948556	2	Washer	
23	866857	2	Rubber bushing	
24	252202	1	Bushing	
25	966818	1	Flange nut	
26	968302	1	Flange screw	
27	889231	1	Bracket	
28	946441	3	Screw	
29	946472	2	Screw	
30	3808825	1	Bracket	Left
	3808827	1	Bracket	Right
31	3827612	1	Fan ring	
32	3828964	1	Fan	
33	971098	6	Flange lock nut	
34	130204	6	Stud	
35	3825490	2	Fan protector	
36	3829537	1	Fan hub	
37	965216	12	Screw	
38	3829957	1	Pulley	FOR TAD1640GE
	3829958	1	Pulley	FOR TAD1641,1642GE
39	3827075	1	Drive belt	FOR TAD1640GE SN-9184
	3819398	1	Drive belt	FOR TAD1640GE SN9184-
	3838617	1	Drive belt	FOR TAD1641,1642GE
40	21159130	1	Bearing housing	
41	946752	4	Flange screw	
42	965221	5	Flange screw	
43	3830000	1	Bracket	
44	3888997	2	Radiator protector	
45	846118	1	Emblem	
46	941651	2	Screw	
47	3587744	1	Anchorage	
48	3830509	1	Bracket	Left
	3830508	1	Bracket	Right
49	3587741	4	Sealing strip	
50	3809808	1	Radiator hose	
51	3809806	1	Radiator hose	

TAD1640GE, TAD1641GE, TAD1642GE

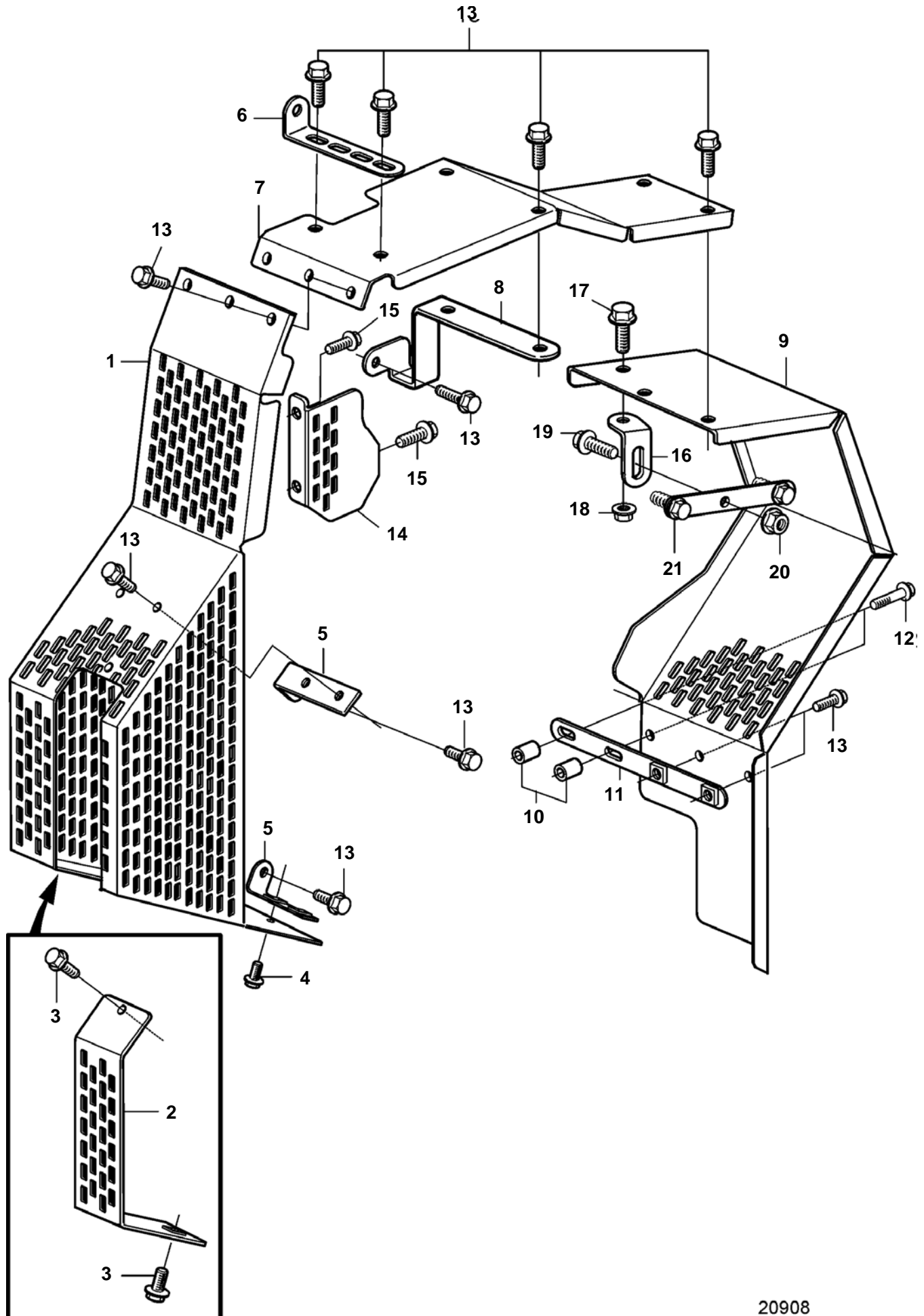


23819

TAD1640GE, TAD1641GE, TAD1642GE

REF	PART NO.	QTY	DESCRIPTION	SEE SEC.	NOTES
1			Radiator		
				6774	
2	3829131	2	Connection pipe		
3	20435760	6	Clamp		(1660909)
4	3829133	2	Hose		
5	3838798	1	Charge air pipe		
6	3887193	1	Bracket kit		
7	3843092	2	· Clamp		
8	3843090	2	· Clamp		
9	3843123	1	· Bracket		
10	3843126	1	· Bracket		
11	946173	8	· Flange screw		
12	941976	1	Clamp		
13	973924	2	Flange screw		
14	965227	2	Screw		
15	948007	2	Spacer sleeve		
16	1556930	2	Clamp		
17	949647	2	O-ring		
18	973924	2	Flange screw		
19	948645	2	Lock nut		
20	848229	2	Sleeve		
21	3838913	2	Bracket		
22	973924	1	Flange screw		
23	946173	2	Flange screw		
24	3838792	1	Hose		
25	3809808	1	Radiator hose		
26	3809806	1	Radiator hose		
27	943480	4	Hose clamp		
28			Charge air pipe	6747	
29	946173	2	Flange screw		
30	965558	1	Bracket		
31	945408	1	Flange nut		
32	952630	1	Clamp		

TAD1640GE, TAD1641GE, TAD1642GE

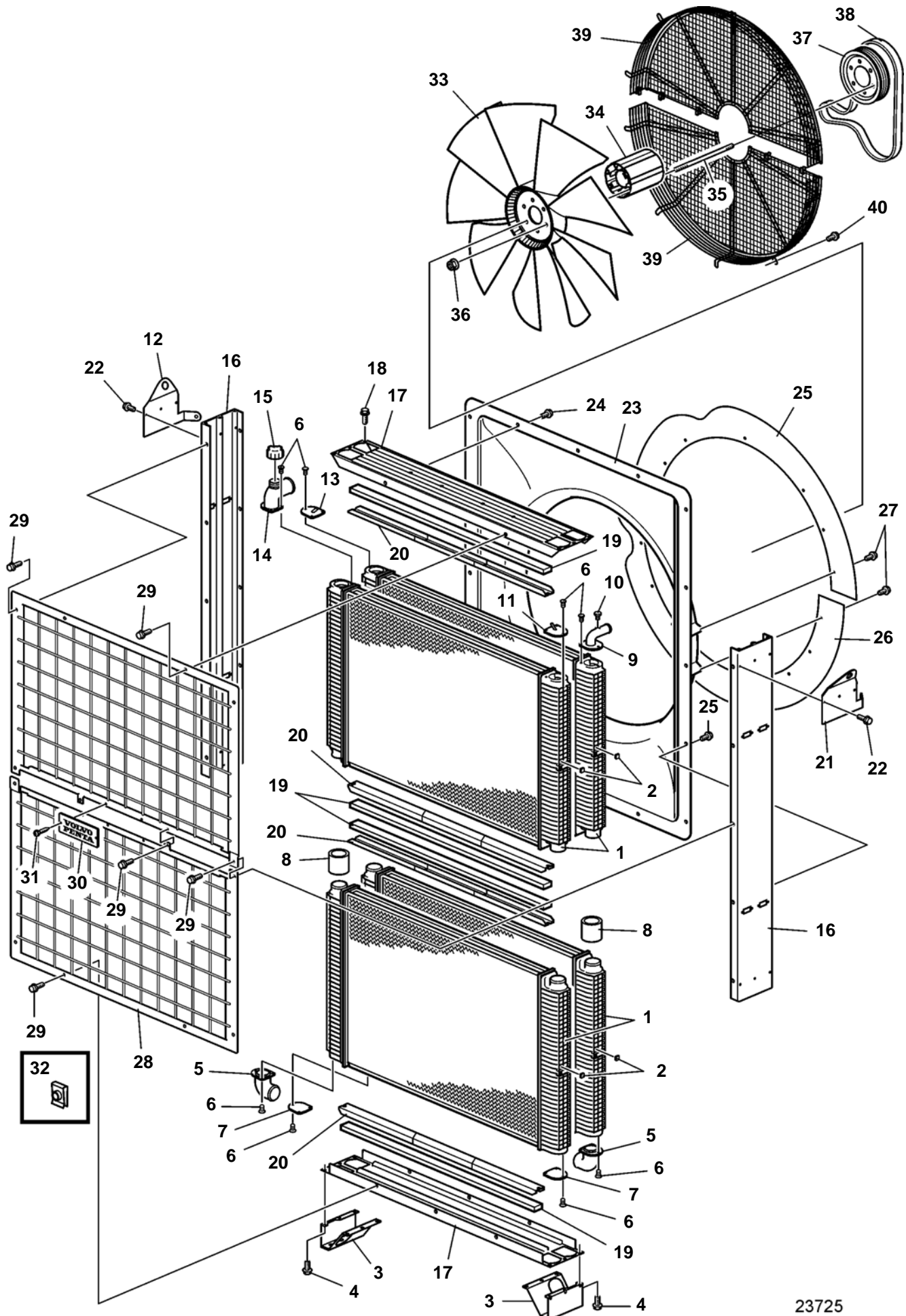


20908

TAD1640GE, TAD1641GE, TAD1642GE

REF	PART NO.	QTY	DESCRIPTION	SEE SEC.	NOTES
1	3829260	1	Belt protector		
2	3839522	1	· Belt protector		
3	947107	2	· Flange screw		
4	946173	1	Flange screw		M8x20mm
5	3828856	2	Bracket		
6	965564	1	Bracket		
7	3812289	1	Belt protector		
8	3839523	1	Bracket		
9	3819985	1	Belt protector		
10	826652	2	Spacer sleeve		
11	3819955	1	Bracket		
12	946470	2	Flange screw		M8x35mm
13	947107	15	Flange screw		M8x12mm
14	3818878	1	Belt protector		
15	946502	2	Screw		L=20mm
16	965555	1	Bracket		
17	946173	1	Flange screw		
18	945408	1	Flange nut		
19	946440	1	Flange screw		
20	945408	1	Flange nut		
21		1	Bracket	7683	

TWD1643GE

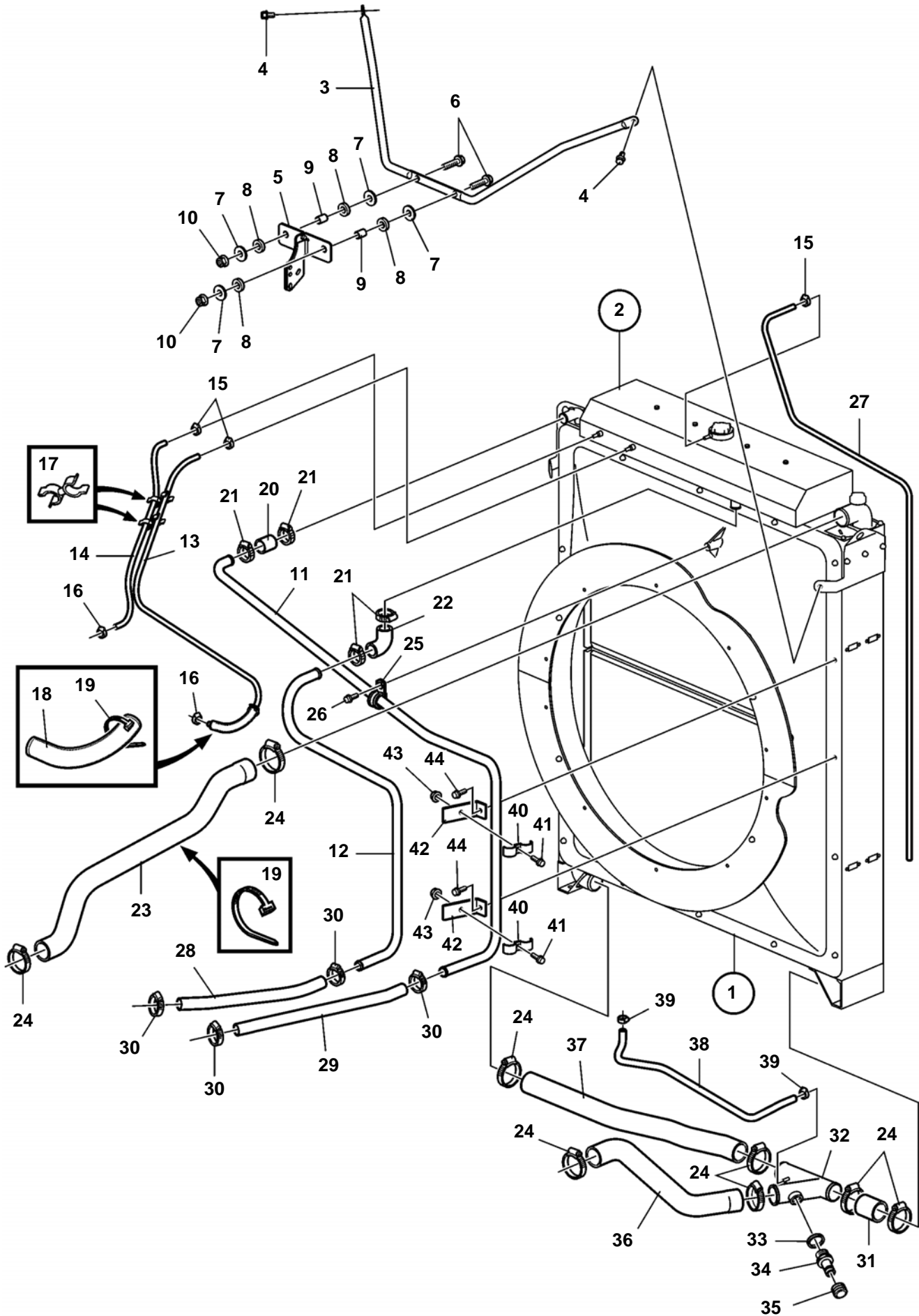


23725

TWD1643GE

REF	PART NO.	QTY	DESCRIPTION	NOTES
1	3885432	4	Radiator	
2	3595095	16	Rubber damper	
3	3886710	2	Anchorage	
4	946173	12	Flange screw	
5	3885183	2	Hose connection	
6	942001	20	Screw	
7	3885187	1	Cover	
8	3885228	2	Hose	
9	3885186	1	Hose connection	
10	3885237	1	Plug	
11	3885189	1	Cover	
12	3885361	1	Bracket	
13	3885189	1	Cover	
14	3885188	1	Hose connection	
15	3886518	1	Cover	
16	3885234	2	Frame	
17	3885235	1	Frame	UPPER
	3589214	1	Frame	LOWER
18	946173	20	Flange screw	
19	3842333	8	Seal	
20		8	Frame	
21	3885363	1	Bracket	
22	946440	6	Flange screw	
23	3589243	1	Fan shroud	
24	947107	16	Flange screw	
25	3887347	1	Fan ring	
26	21109902	1	Fan ring	
27	3842325	14	Screw	
28	3888997	2	Radiator protector	
29	946440	12	Flange screw	
30	846118	1	Emblem	
31	941651	2	Screw	
32	3842114	X	Clip	
33	3819799	1	Fan	
34	3829537	1	Fan hub	
35	130204	6	Stud	
36	971095	6	Nut	
37	3829958	1	Pulley	
38	3883978	1	Drive belt	
39	3848153	2	Fan protector	
40	3842325	10	Screw	

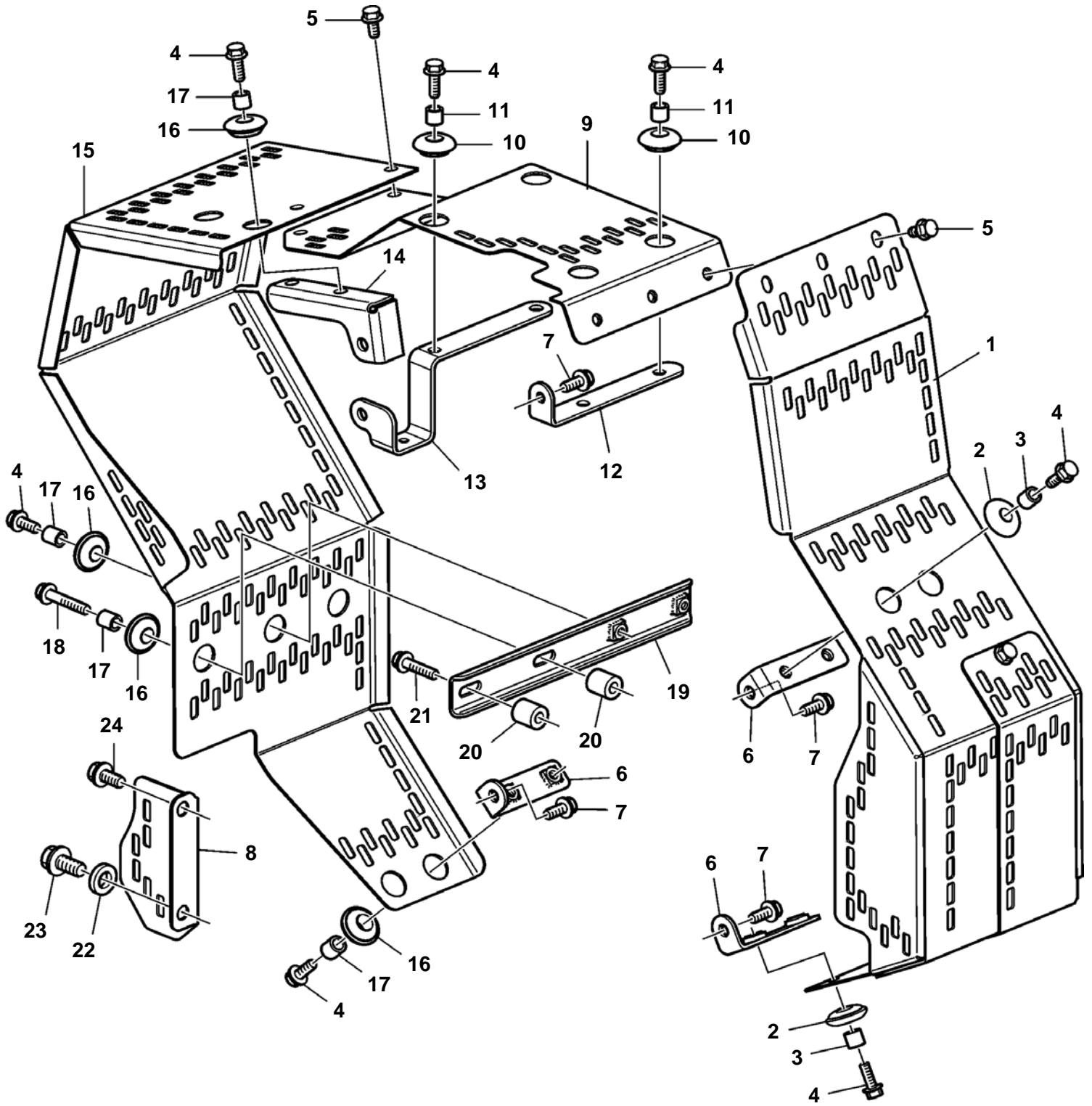
TWD1643GE



TWD1643GE

REF	PART NO.	QTY	DESCRIPTION	SEE SEC.
1		1	Radiator	
				21706
2		1	Expansion tank	
				21749
3	3807303	1	Stay	
4	946441	2	Screw	
5	3594409	1	Bracket	
6	968302	2	Flange screw	
7	948556	4	Washer	
8	866857	4	Rubber bushing	
9	252202	2	Bushing	
10	966818	2	Flange nut	
11	3883179	1	Water pipe	
12	3883181	1	Water pipe	
13		1	Hose	
14		1	Hose	
15	943470	3	Hose clamp	
16	943469	2	Clamp	
17	3121512	X	Retainer	
18	20711293	1	Heat shield	
19	948211	X	Strip clamp	
20	3594076	1	Hose	
21	943477	4	Hose clamp	
22	3883208	1	Hose	
23	3589216	1	Hose	
24	943481	8	Hose clamp	
25	952640	1	Clamp	
26	946671	1	Flange screw	
27		X	Air vent hose	
28	952973	X	Hose	
29	952973	X	Hose	
30	943476	4	Hose clamp	
31	3885228	1	Hose	
32	3885230	1	Hose	
33	957185	1	Gasket	
34	1676622	1	Draining nippel	
35	476279	1	Protective cap	
36	3589218	1	Hose	
37	3885229	1	Hose	
38		1	Hose	
39	943471	2	Hose clamp	
40	3841802	2	Fitting	
41	947760	2	Flange screw	
42	3883206	2	Bracket	
43	948645	2	Lock nut	
44	947107	2	Flange screw	

TWD1643GE

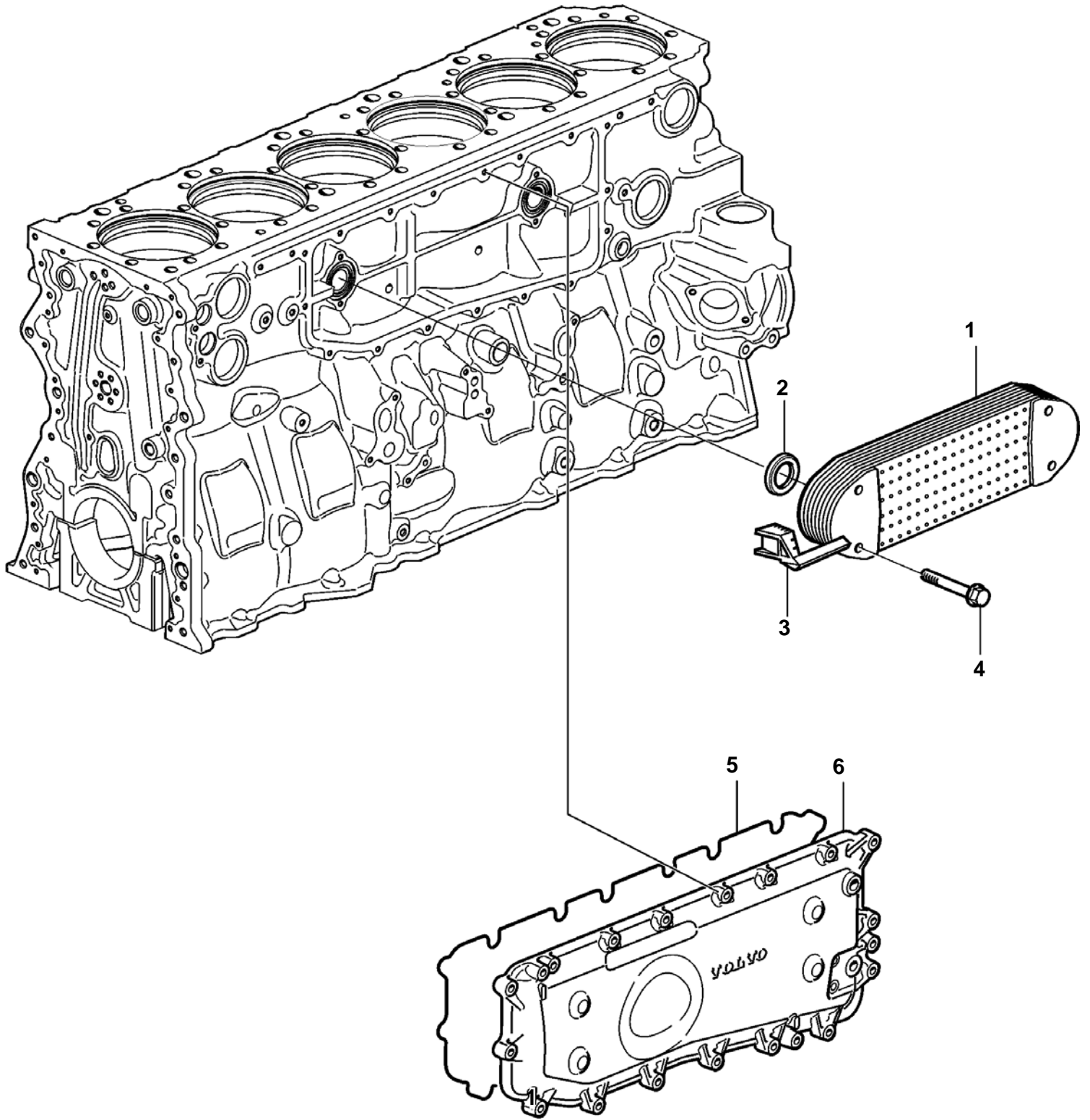


23746

TWD1643GE

REF	PART NO.	QTY	DESCRIPTION
1	3843179	1	Belt protector
2	3886025	4	· Rubber seal
3	3830336	4	· Spacer
4	946173	10	Flange screw
5	947107	8	Flange screw
6	3828856	3	Bracket
7	946440	4	Flange screw
8	3818878	1	Belt protector
9	3843181	1	Belt protector
10	3886025	4	· Rubber seal
11	3830336	4	· Spacer
12	3883529	1	Bracket
13	3839523	1	Bracket
14	3819961	1	Bracket
15	3843183	1	Belt protector
16	3886025	7	· Rubber seal
17	3830336	7	· Spacer
18	948217	1	Flange screw
19	3819955	1	Bracket
20	826652	2	Spacer sleeve
21	946470	2	Flange screw
22	847237	1	Sleeve
23	946502	1	Screw
24	946670	1	Flange screw

TAD1640GE, TAD1641GE, TAD1642GE

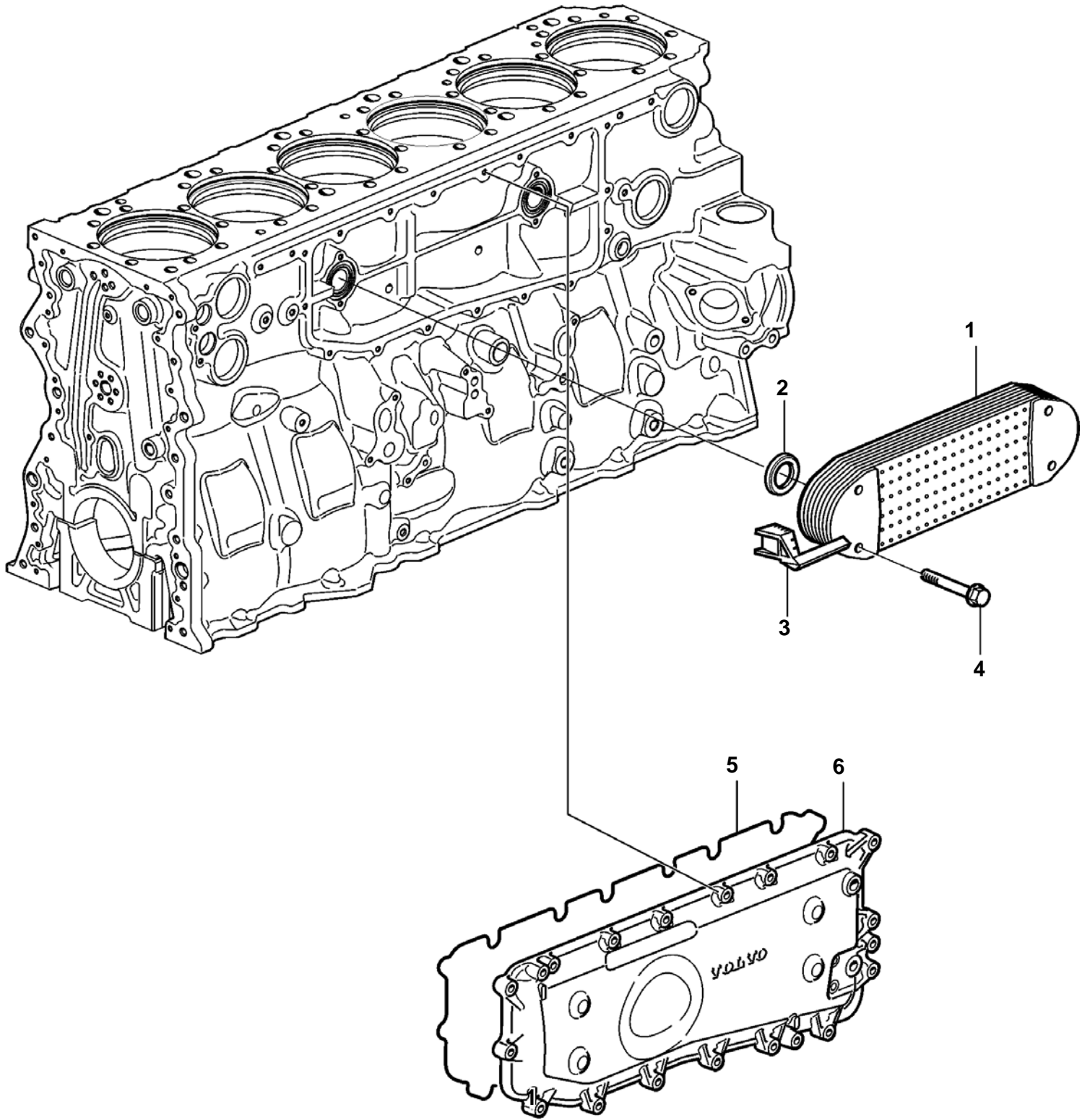


20934

TAD1640GE, TAD1641GE, TAD1642GE

REF	PART NO.	QTY	DESCRIPTION	SEE SEC.	NOTES
1	1675774	1	Oil cooler		SN-2016010024
	20700516	1	Oil cooler		SN2016010025-
2	20551483	2	Sealing ring		
3	8131970	2	Seal		
4	982160	4	Flange screw		
5		1	Sealing strip	6723	
6		1	Cover	6723	

TWD1643GE

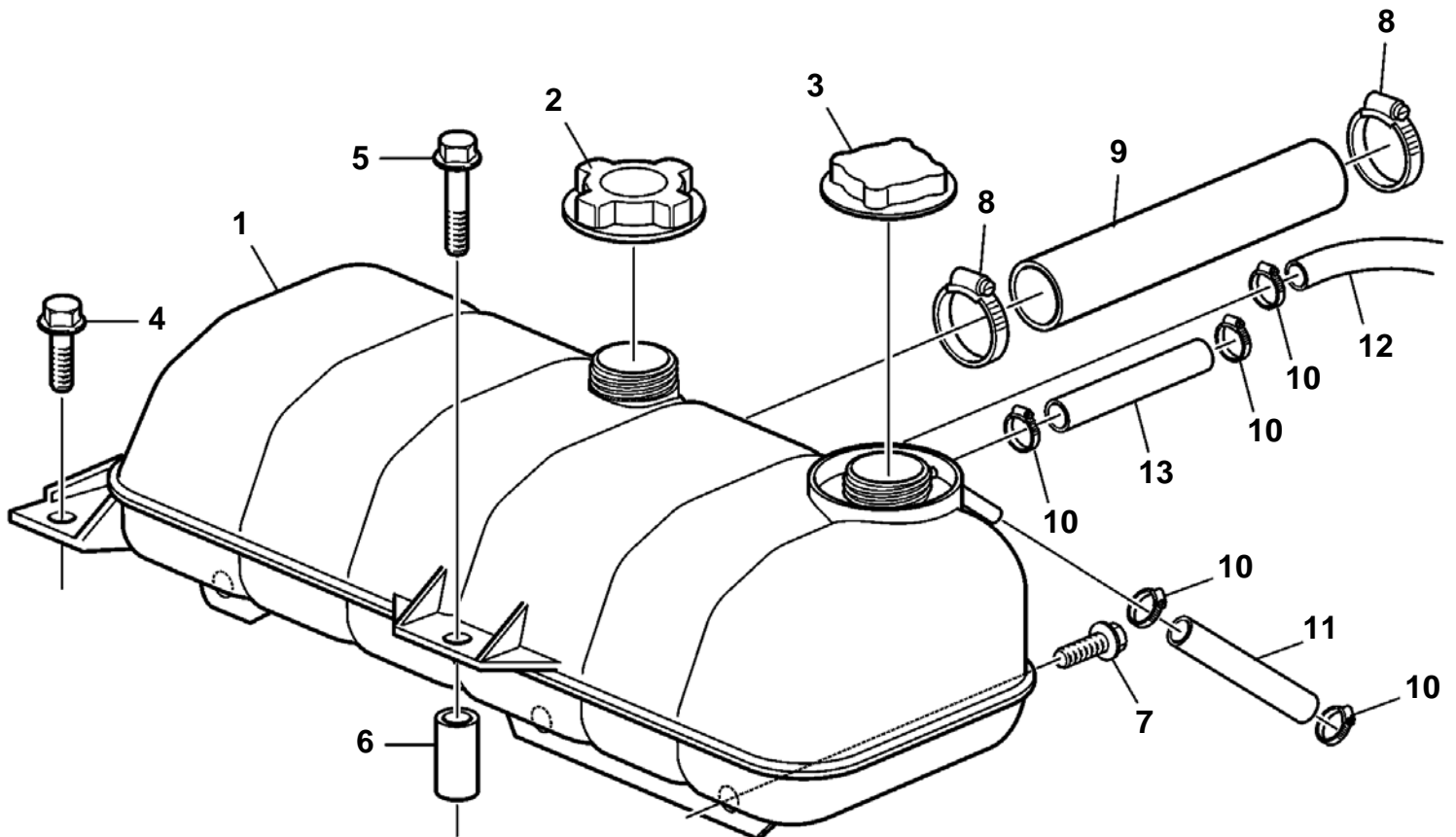
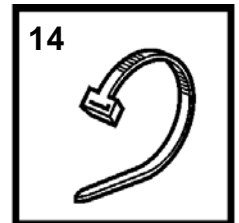


20934

TWD1643GE

REF	PART NO.	QTY	DESCRIPTION	SEE SEC.
1	20700516	1	Oil cooler	
2	20551483	2	Sealing ring	
3	8131970	2	Seal	
4	982160	4	Flange screw	
5		1	Sealing strip	6723
6		1	Cover	6723

TAD1640GE, TAD1641GE, TAD1642GE

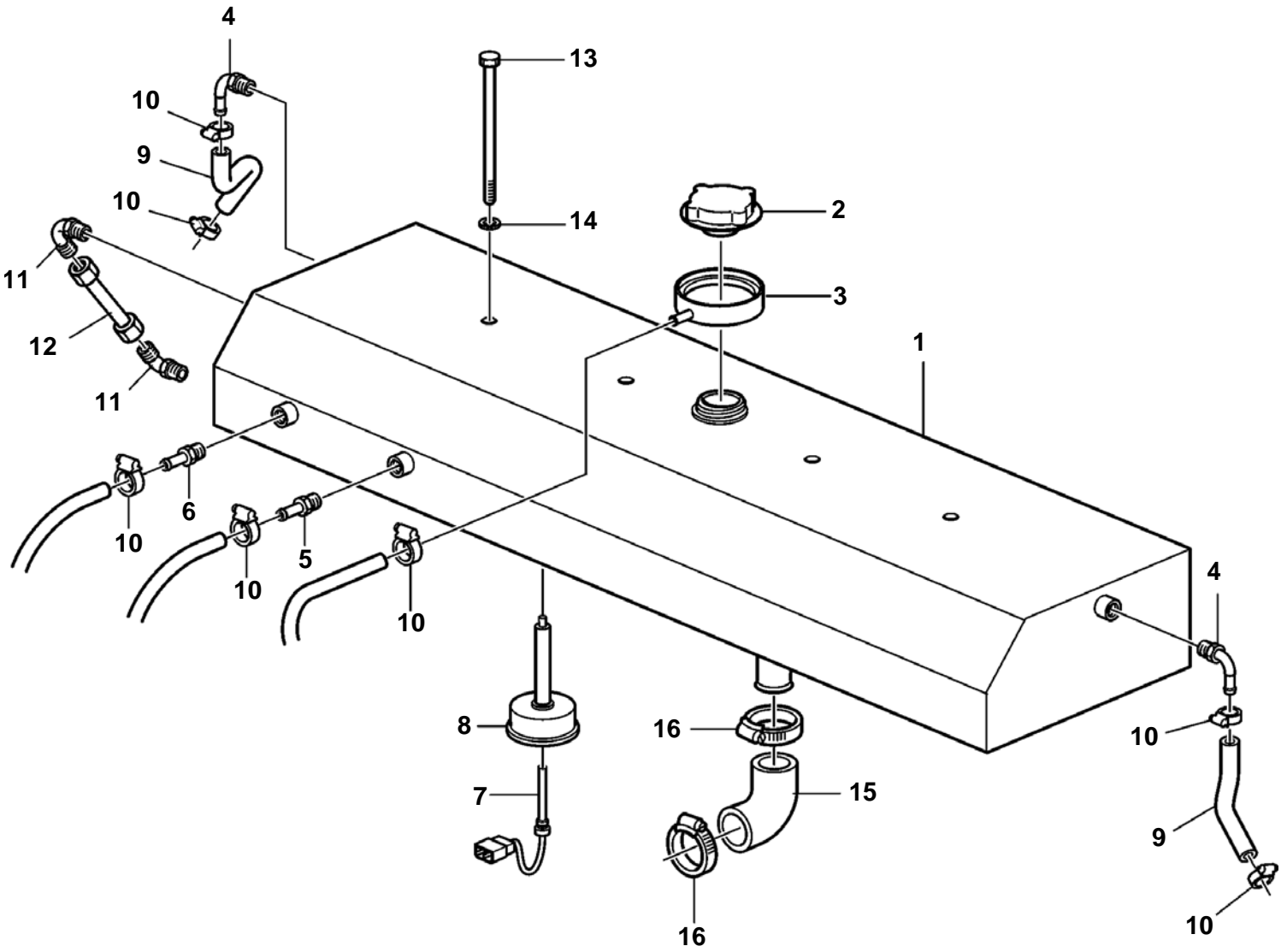


20905

TAD1640GE, TAD1641GE, TAD1642GE

REF	PART NO.	QTY	DESCRIPTION	NOTES
1	1674916	1	Expansion tank	
2	1674922	1	Filler cap	
3	1674083	1	Pressure cap	
4	965220	1	Flange screw	
5	947790	1	Flange screw	
6	3830771	1	Spacer sleeve	
7	946471	3	Screw	
8	943476	2	Hose clamp	
9	952973	X	Hose	L=1050mm
10	943470	5	Hose clamp	
11	943367	X	Hose	Drain, expansion tank., L=1930mm
12	943367	X	Hose	Mounted in cylinder head. For air ventilation to the expansion tank., L=850mm
13	943367	X	Hose	For engines with thrust type fan., Air vent hose, radiator., L=950mm
	943367	X	Hose	For suction type of fan., Air vent hose, radiator., L=1430mm
14	948211	X	Strip clamp	

TWD1643GE

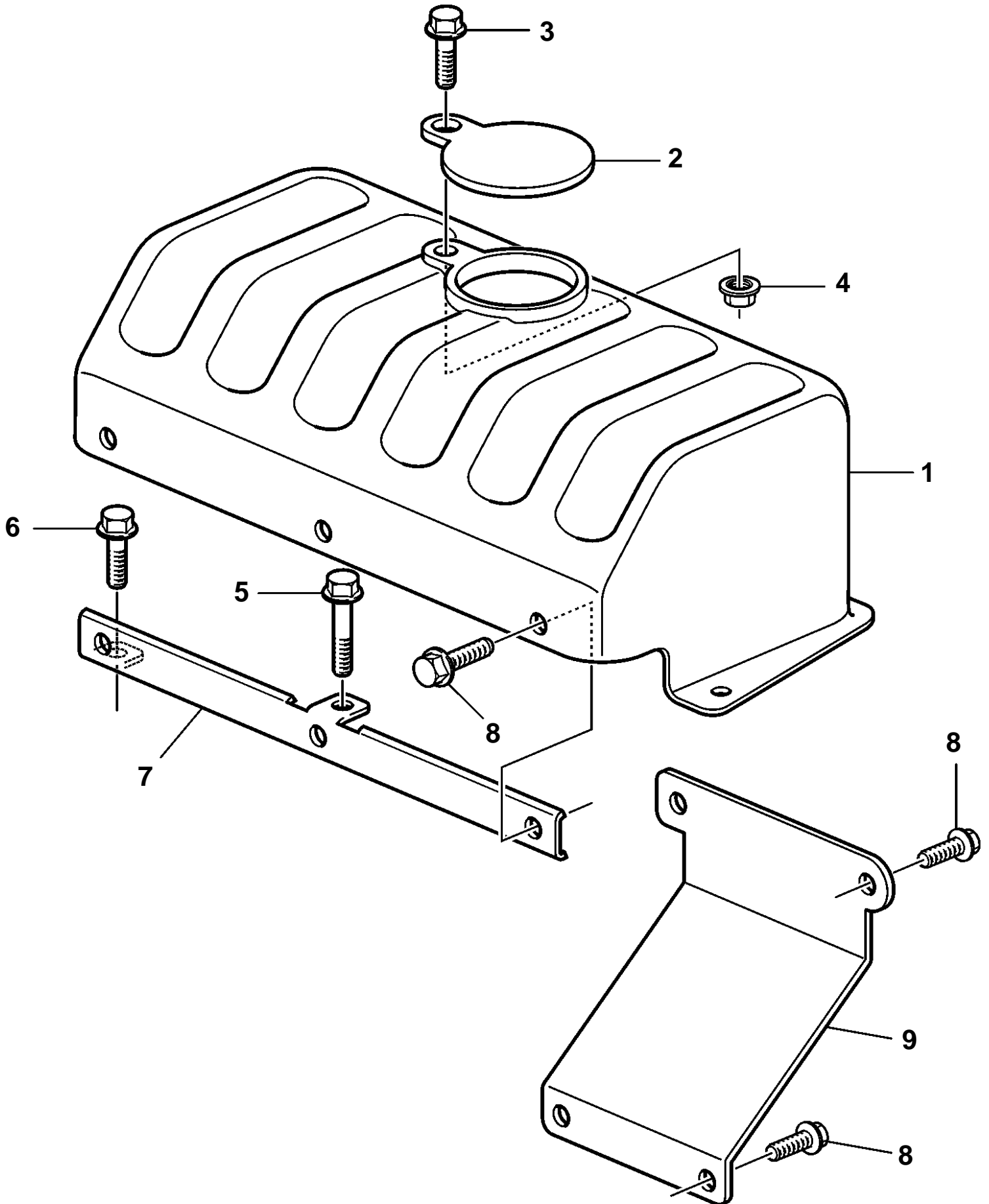


23753

TWD1643GE

REF	PART NO.	QTY	DESCRIPTION
1	3847797	1	Expansion tank
2	1674083	1	Pressure cap
3	3828863	1	Rubber collar
4	3595097	2	Nipple
5	3595088	1	Nipple
6	3595087	1	Nipple
7	8140024	1	Level sensor
8	3886515	1	Retainer
9	943366	X	Hose
10	943471	7	Hose clamp
11	3595098	2	Nipple
12	3594083	1	Pipe
13	968892	4	Flange screw
14	955894	4	Washer
15	3883208	1	Hose
16	943477	2	Hose clamp

TAD1640GE, TAD1641GE, TAD1642GE

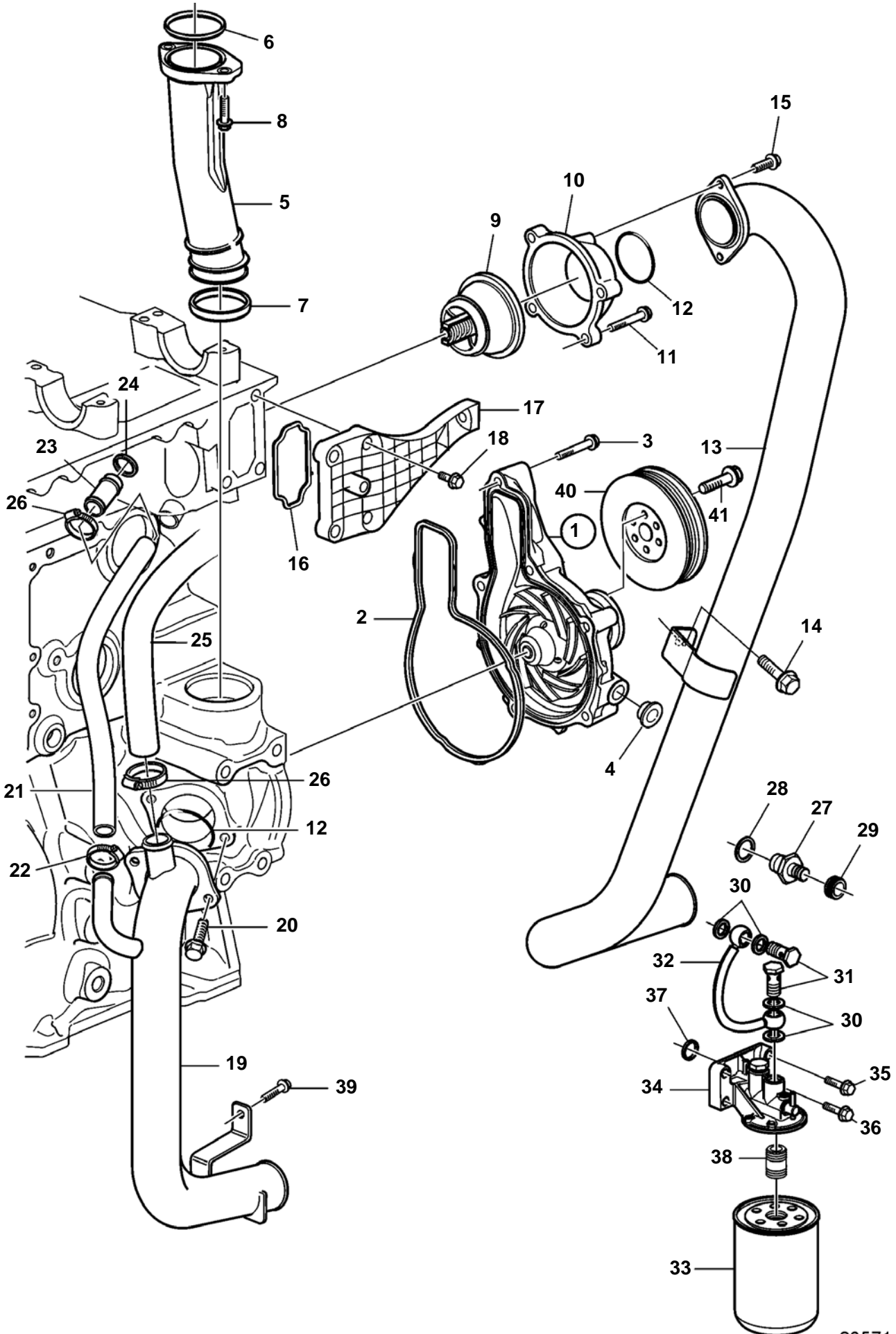


20904

TAD1640GE, TAD1641GE, TAD1642GE

REF	PART NO.	QTY	DESCRIPTION
1	3839467	1	Protecting casing
2	3830539	1	Cover
3	946173	1	Flange screw
4	945408	1	Flange nut
5	973924	1	Flange screw
6	946173	1	Flange screw
7	3838877	1	Bracket
8	946440	7	Flange screw
9	3838878	1	Bracket

TAD1640GE, TAD1641GE, TAD1642GE

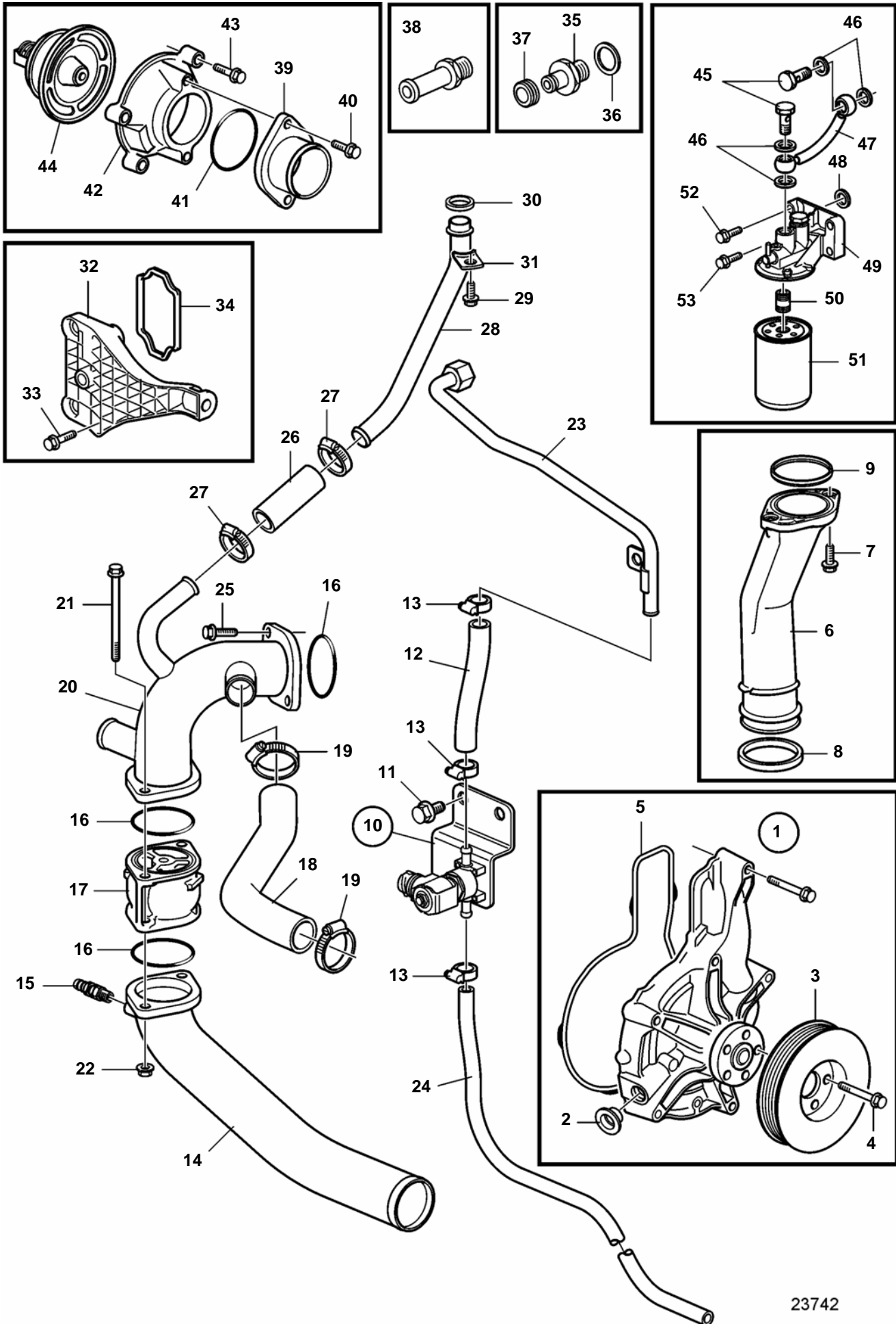


23571

TAD1640GE, TAD1641GE, TAD1642GE

REF	PART NO.	QTY	DESCRIPTION	NOTES
1	20451516	1	Circulation pump	SN-9184 Replaced by circulation pump 20744939
	20744939	1	Circulation pump	SN9185-
	3801102	1	Circ. pump, exch, exch	SN9185-
2	8131097	1	Sealing ring	
3	965216	6	Screw	
4	842235	1	Cap	
5	8131290	1	Connection pipe	Replaced by 20823005
	20823005	1	Connection pipe	(8131290)
6	20381352	1	Sealing ring	For Pipe 8131290
	20818346	1	Gasket	For pipe 20823005
7	20799996	1	Sealing ring	(425137)
8	946173	4	Flange screw	
9	20560252	1	Thermostat	
10	3838404	1	Cover	
11	946173	4	Flange screw	
12	975675	2	O-ring	
13	3809986	1	Coolant pipe	
14	965191	1	Screw	
15	945444	2	Flange screw	
16	8131154	1	Sealing ring	
17	20727018	1	Cover	
18	973924	4	Flange screw	
19	3838168	1	Coolant pipe	
20	945444	2	Flange screw	
21	969033	X	Rubber hose	Thermostat housing-water pump., L=340mm
22	961666	2	Hose clamp	
23	3838735	1	Pipe	
24	1547252	1	Sealing ring	
25	952973	X	Hose	Expansion tank- water pump., L=1050mm
26	961666	2	Hose clamp	
27	1676622	1	Draining nipple	Replaced by 1pc drain cock 949918, 1pc reduction nipple 191068 and 1pc elbow nipple 3826916.
28	979099	1	Gasket	
29	476279	1	Protective cap	
30	969011	4	Gasket	
31	25167	2	Hollow screw	
32	20729344	1	Pipe	
33	20532237	1	Coolant filter	
34	20459650	1	Bracket	
35	946671	3	Flange screw	
36	965216	1	Screw	
37	469846	1	Sealing ring	
38	1676554	1	Nipple	
39	946173	1	Flange screw	
40	8149475	1	Pulley	For water pump 20451516
	20538853	1	Pulley	For water pump 20744939
41	969598	5	6 point socket screw	For water pump 20451516
	947107	5	Flange screw	For water pump 20744939

TWD1643GE

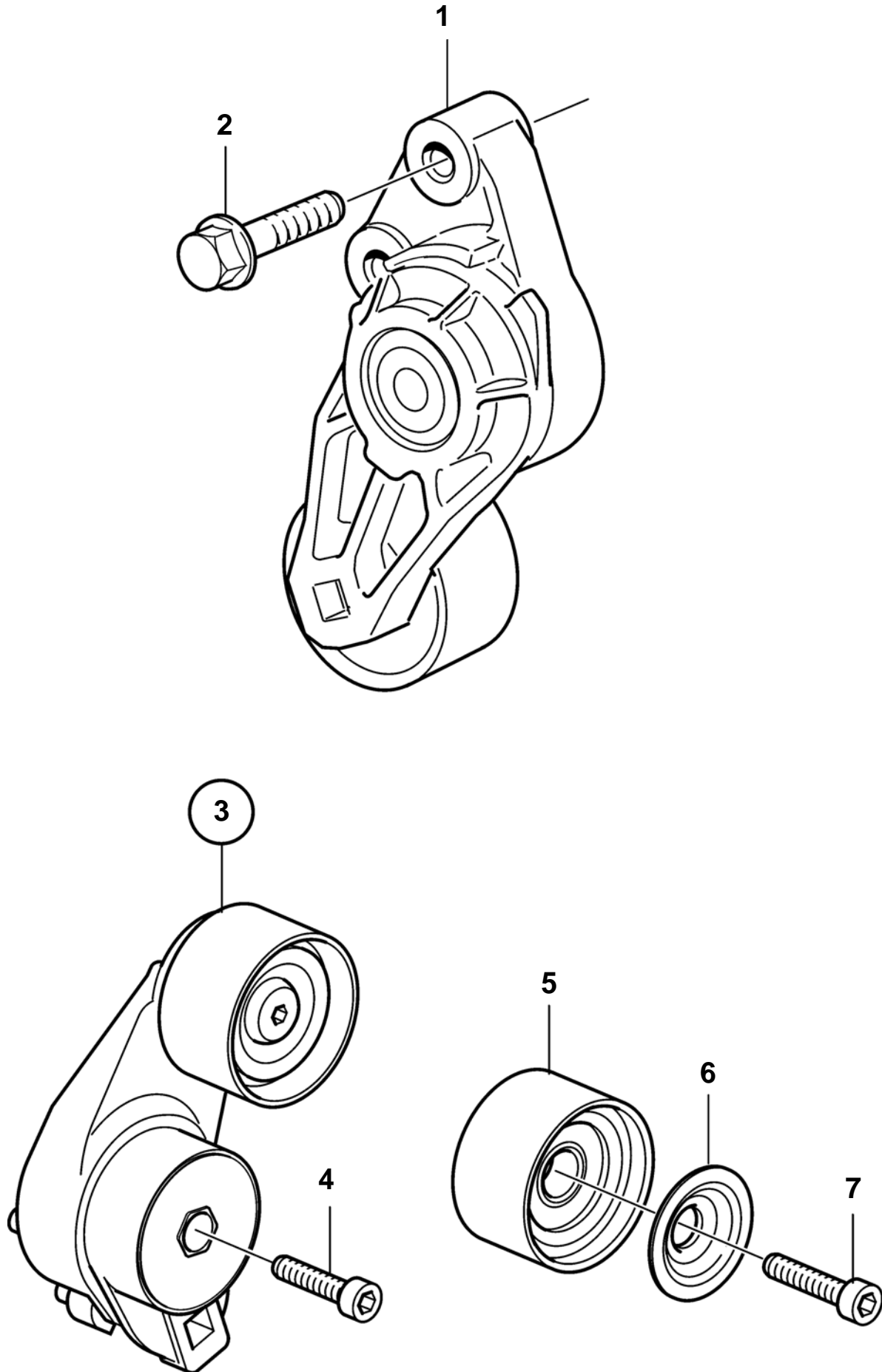


23742

TWD1643GE

REF	PART NO.	QTY	DESCRIPTION	NOTES
1	20744939	1	Circulation pump	
	3801102	1	Circ. pump, exch, exch	
2	842235	1	• Cap	
3	20538853	1	Pulley	
4	947107	5	Flange screw	
5	8131097	1	Sealing ring	
6	20823005	1	Connection pipe	
7	946173	2	Flange screw	
8	20799996	1	Sealing ring	
9	20818346	1	Gasket	
10	3886586	1	Valve	
11	946502	2	Screw	
12	946652	X	Hose	L=320mm
13	943470	3	Hose clamp	
14	3842381	1	Coolant pipe	
15	966871	1	• Tap	
16	975675	3	O-ring	
17	3884147	1	Overflow valve	
18	952973	X	Hose	L=520mm
19	943476	2	Hose clamp	
20	3841787	1	Coolant pipe	
21	965184	2	Screw	
22	945408	2	Flange nut	
23	3889524	1	Tube	
24	946652	X	Hose	
25	945444	2	Flange screw	
26	969033	X	Rubber hose	L=90mm
27	961666	2	Hose clamp	
28	3842116	1	Coolant pipe	
29	946440	1	Flange screw	
30	1546531	1	Lock brace	
31	1547252	1	Sealing ring	
32	20727018	1	Cover	
33	945444	4	Flange screw	
34	8131154	1	Sealing ring	
35	1676622	1	Draining nippel	
36	979099	1	Gasket	
37	476279	1	Protective cap	
38	977508	1	Nipple	
39	3943401	1	Coolant pipe	
40	945444	2	Flange screw	
41	975675	1	O-ring	
42	3838404	1	Cover	
43	946671	4	Flange screw	
44	20560252	1	Thermostat	
45	25167	2	Hollow screw	
46	969011	4	Gasket	
47	20729344	1	Pipe	
48	469846	1	Sealing ring	
49	20459650	1	Bracket	
50	1676554	1	Nipple	
51	20532237	1	Coolant filter	
52	946671	3	Flange screw	
53	965216	1	Screw	

TAD1640GE, TAD1641GE, TAD1642GE

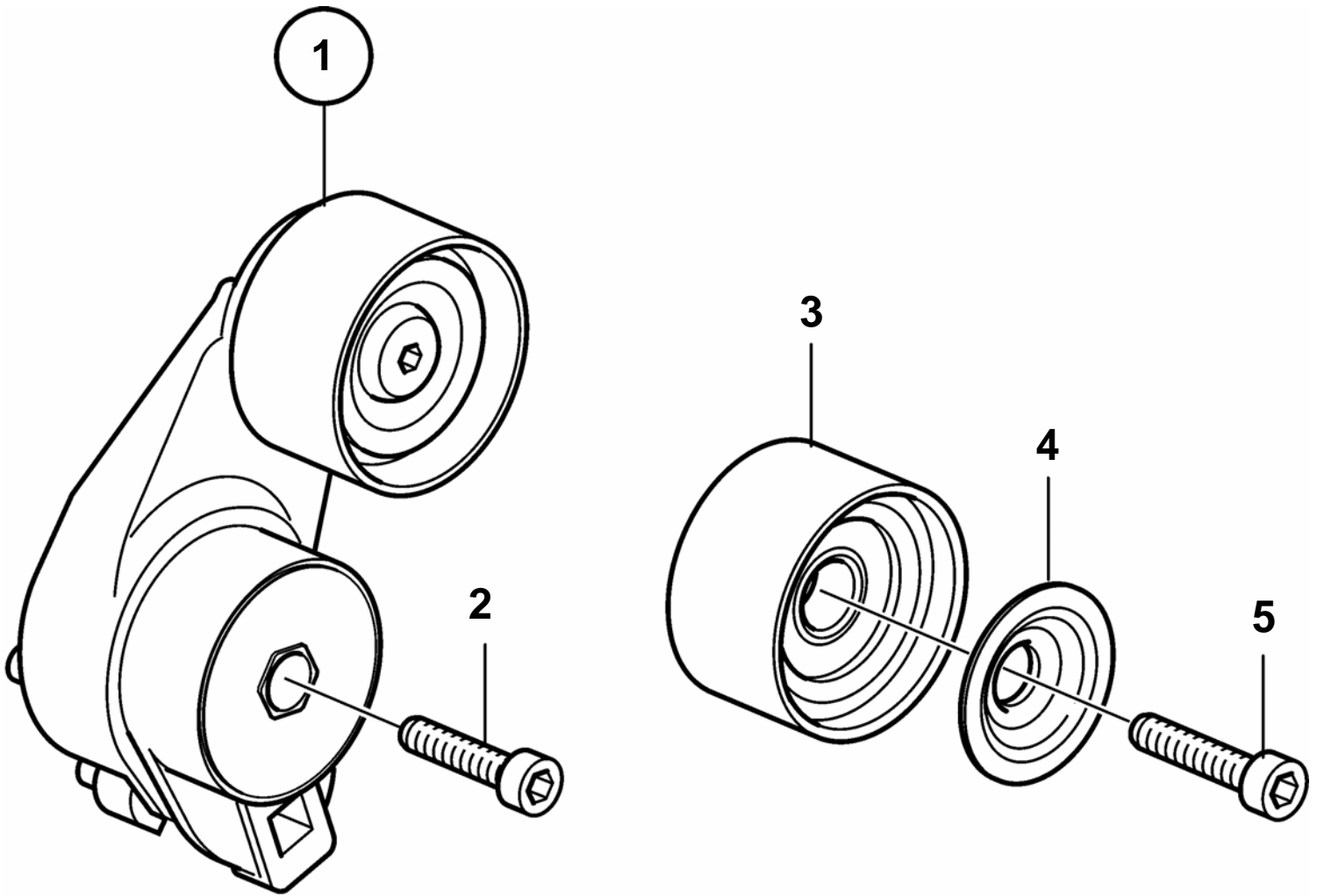


24513

TAD1640GE, TAD1641GE, TAD1642GE

REF	PART NO.	QTY	DESCRIPTION	NOTES
1	20762060	1	Belt tensioner · Parts not sold separately	
2	1547887	2	Screw	
3	20487079	1	Belt tensioner · Parts not sold separately	
4	959245	1	Screw	
5	3887305	1	Idler gear	(20503093)
6	3809563	1	Cover	
7	946441	1	Screw	

TWD1643GE

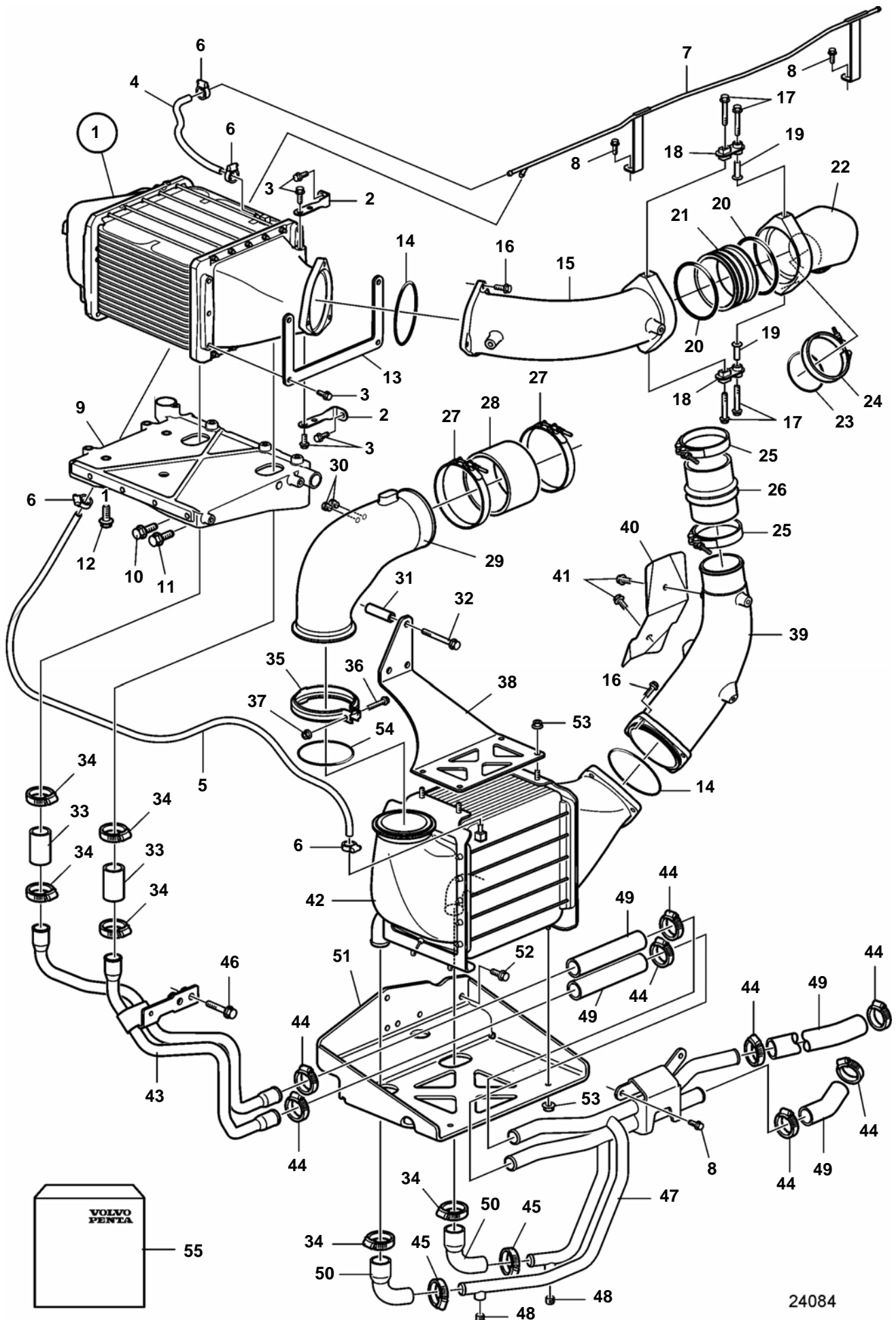


24515

TWD1643GE

REF	PART NO.	QTY	DESCRIPTION
1	20487079	1	Belt tensioner · Parts not sold separately
2	959245	1	Screw
3	20851842	1	Pulley
4	8097084	1	Dust cover
5	946441	1	Screw

TWD1643GE

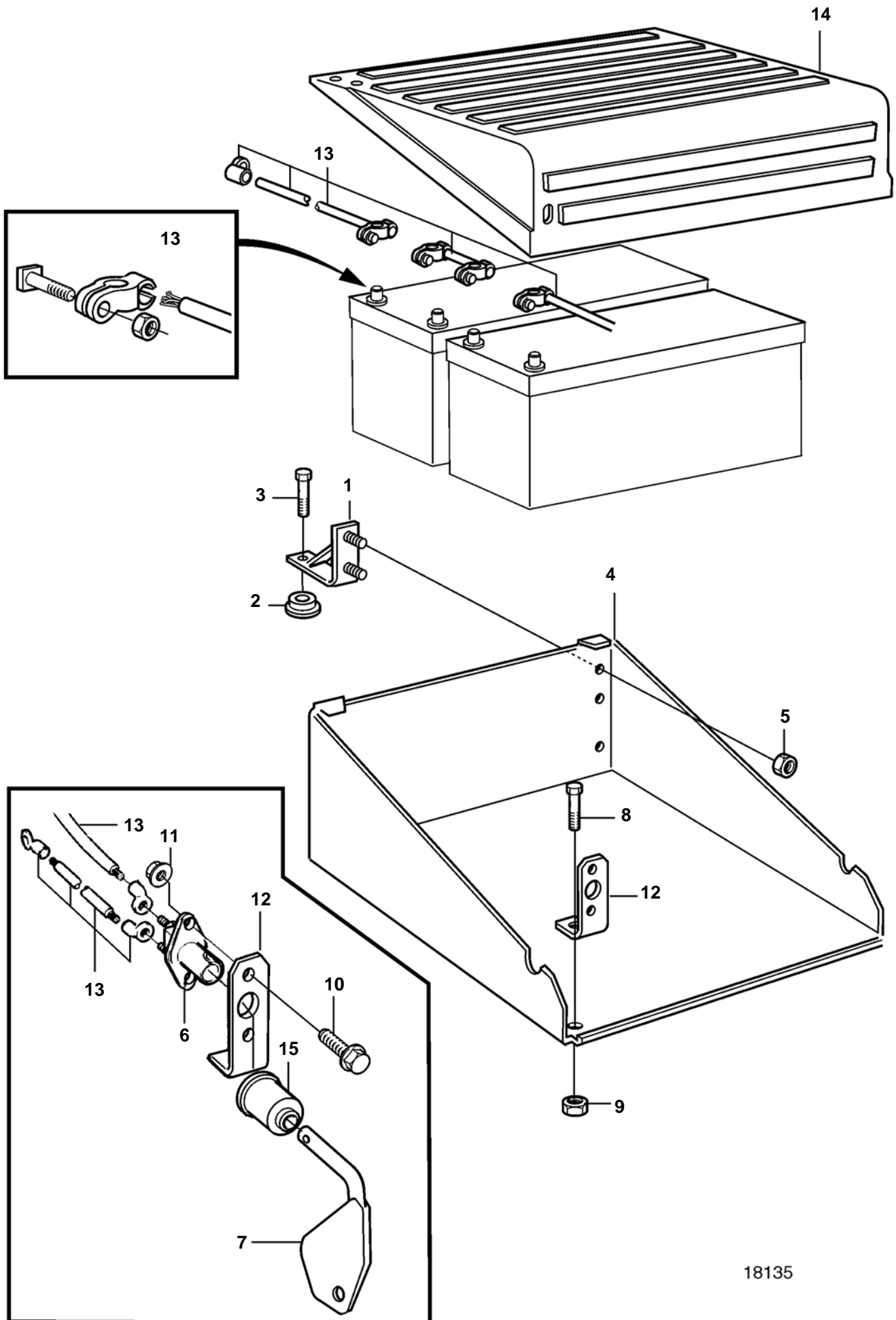


24084

TWD1643GE

REF	PART NO.	QTY	DESCRIPTION	NOTES
1	3886562	1	Intercooler · Parts not sold separately	
2		2	Bracket	
3	946173	8	Flange screw	
4		X	Hose	
5		X	Hose	
6	943469	4	Clamp	
7		1	Tube	
8	946440	4	Flange screw	
9	3841235	1	Bracket	
10	965194	2	Screw	L=60mm
11	965226	4	Flange screw	L=45mm
12	965185	4	Flange screw	
13		1	Bracket	
14	948888	2	O-ring	
15	3593652	1	Connection pipe	
16	945444	7	Flange screw	
17	973924	4	Flange screw	
18	3594032	2	Link arm	
19	3849960	2	Sleeve	
20	3812484	2	O-ring	
21	3808387	1	Connector	
22	3593649	1	Connection pipe	
23	945512	1	O-ring	
24	3886542	1	Clamp	
25	865575	2	Hose clamp	
26	865127	1	Hose	
27	1544735	2	Hose clamp	
28	3841259	1	Hose connection	
29	3819654	1	Connection pipe	
30	479979	2	Plug	
31		3	Spacer	
32	965189	3	Flange screw	
33		X	Hose	
34	943476	6	Hose clamp	
35	1624612	1	Clamp	
36	973924	1	Flange screw	
37	948645	1	Lock nut	
38		1	Bracket	
39	3840414	1	Connection pipe	
40	3883371	1	Bracket	
41	947107	2	Flange screw	
42	3819674	1	Intercooler · Parts not sold separately	
43	3842108	1	Coolant pipe	
44	943475	6	Hose clamp	
45	943476	2	Hose clamp	
46		2	Flange screw	
47	3842110	1	Coolant pipe	
48	968063	2	· Plug	
49		X	Hose	
50	3842112	2	Hose	
51		1	Bracket	
52	946441	3	Screw	
53	945408	8	Flange nut	
54	975610	1	O-ring	
55	21110401	1	Sealing kit	For 3819674

TAD1640GE, TAD1641GE, TAD1642GE, TWD1643GE

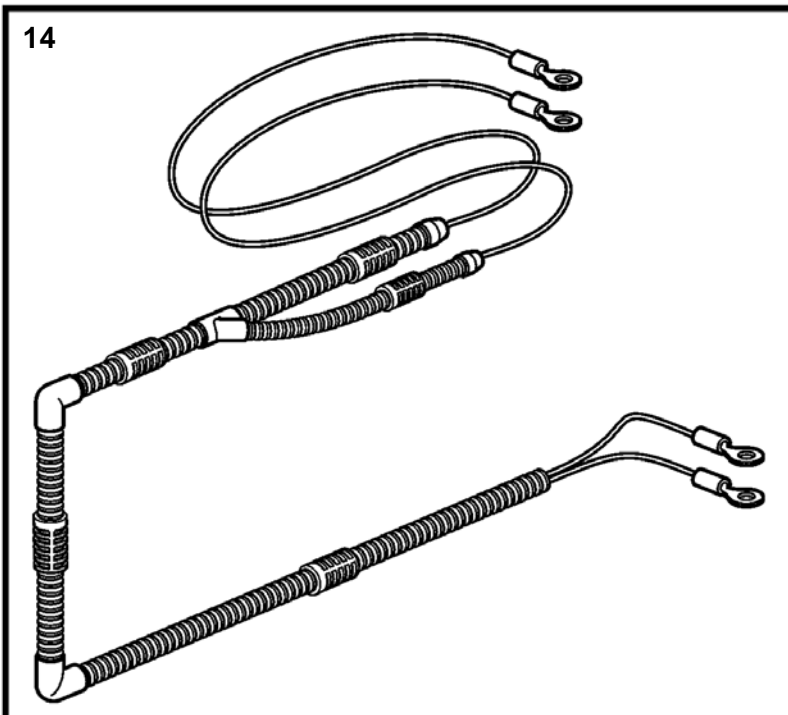
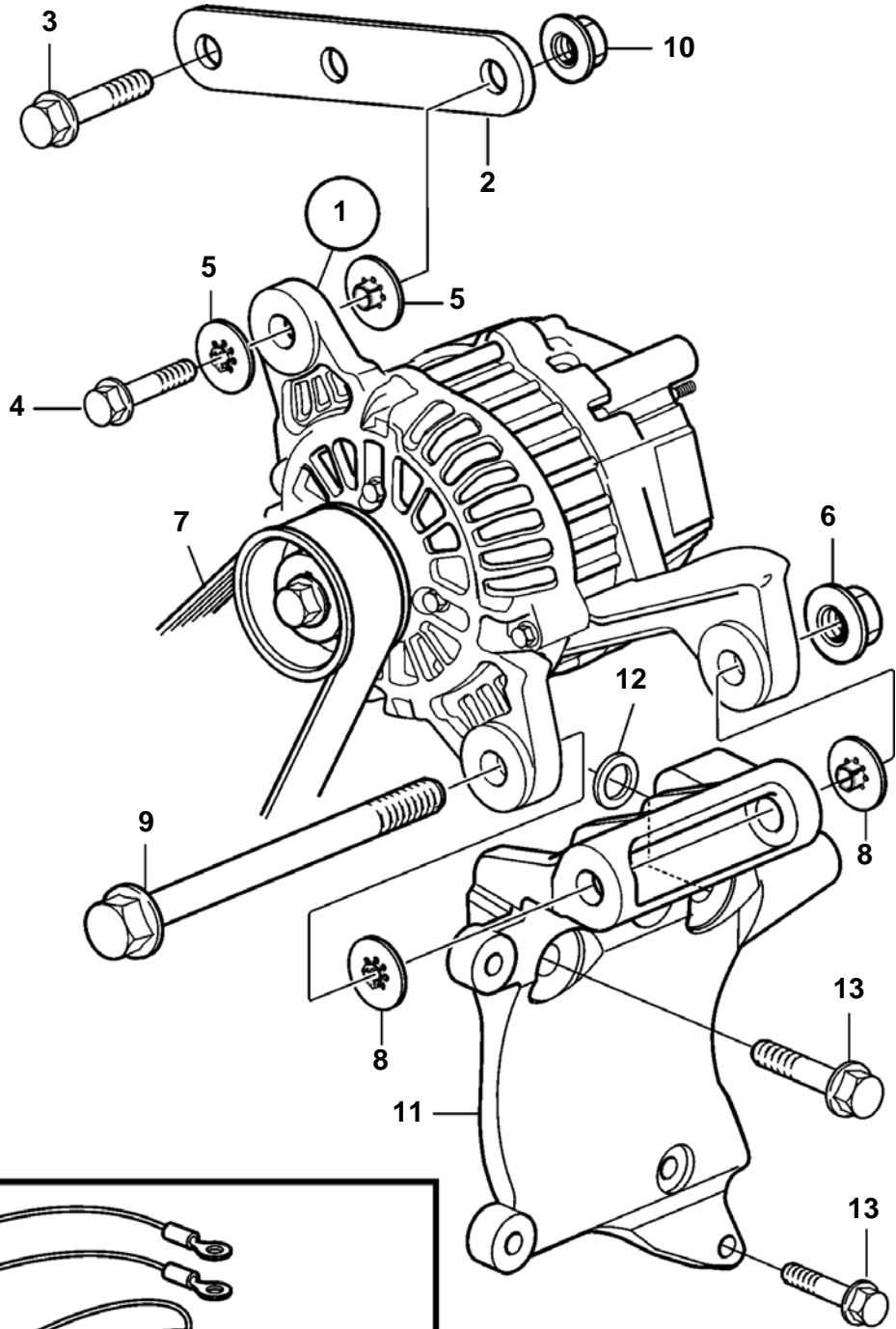


18135

TAD1640GE, TAD1641GE, TAD1642GE, TWD1643GE

REF	PART NO.	QTY	DESCRIPTION	SEE SEC.
1		2	Bracket	
2	846284	2	Washer	
3	946472	2	Screw	
4	863627	1	Battery box	
5	971096	4	Nut	
6	3987034	1	Battery main switch	
7	8157766	1	· Key	
8	946441	2	Screw	
9	971095	2	Nut	
10	946544	2	Flange screw	
11	945407	2	Flange nut	
12	1587695	1	Bracket	
13		X	Electrical materials	1963
14	1587694	1	Cover	
15	1582293	1	Bellows	

TAD1640GE, TAD1641GE, TAD1642GE

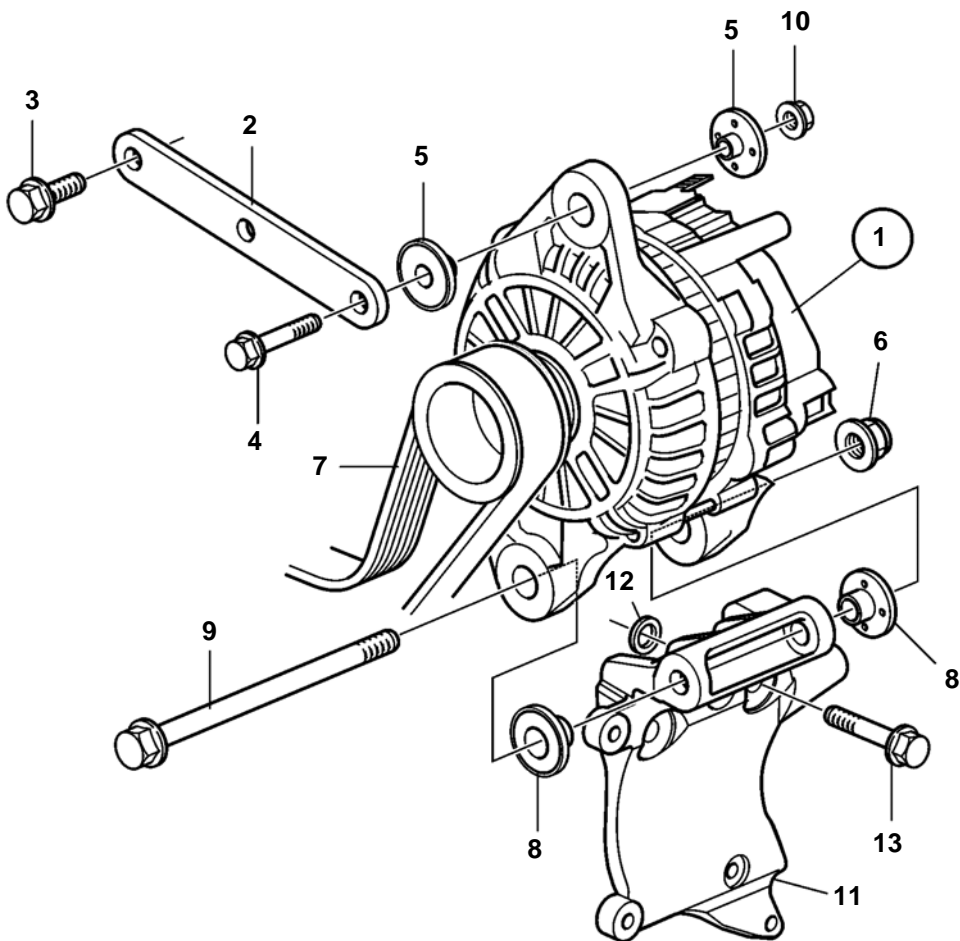
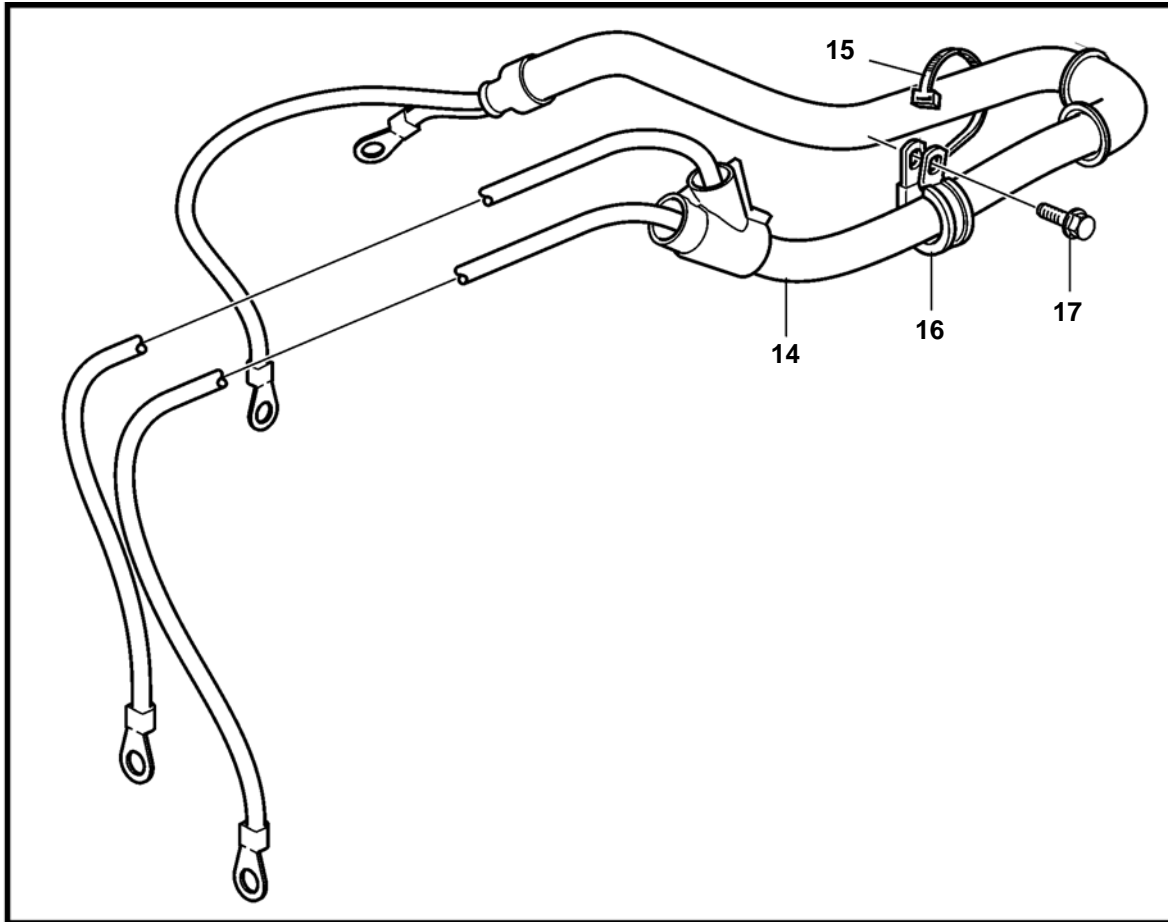


20929

TAD1640GE, TAD1641GE, TAD1642GE

REF	PART NO.	QTY	DESCRIPTION	NOTES
1	3803639	1	Alternator,exch · Parts not sold separately	28V 80A
2	3829091	1	Bracket	
3	947760	1	Flange screw	
4	946441	1	Screw	
5	3589388	2	Insulating bushing	
6	948645	1	Lock nut	
7	20430376	1	Drive belt	
8	3589369	2	Insulating bushing	
9	979935	1	Flange screw	
10	977938	1	Flange lock nut	
11	3839009	1	Bracket	
12	8192190	1	· Sealing ring	
13	946752	4	Flange screw	
14	881787	1	Wiring harness	

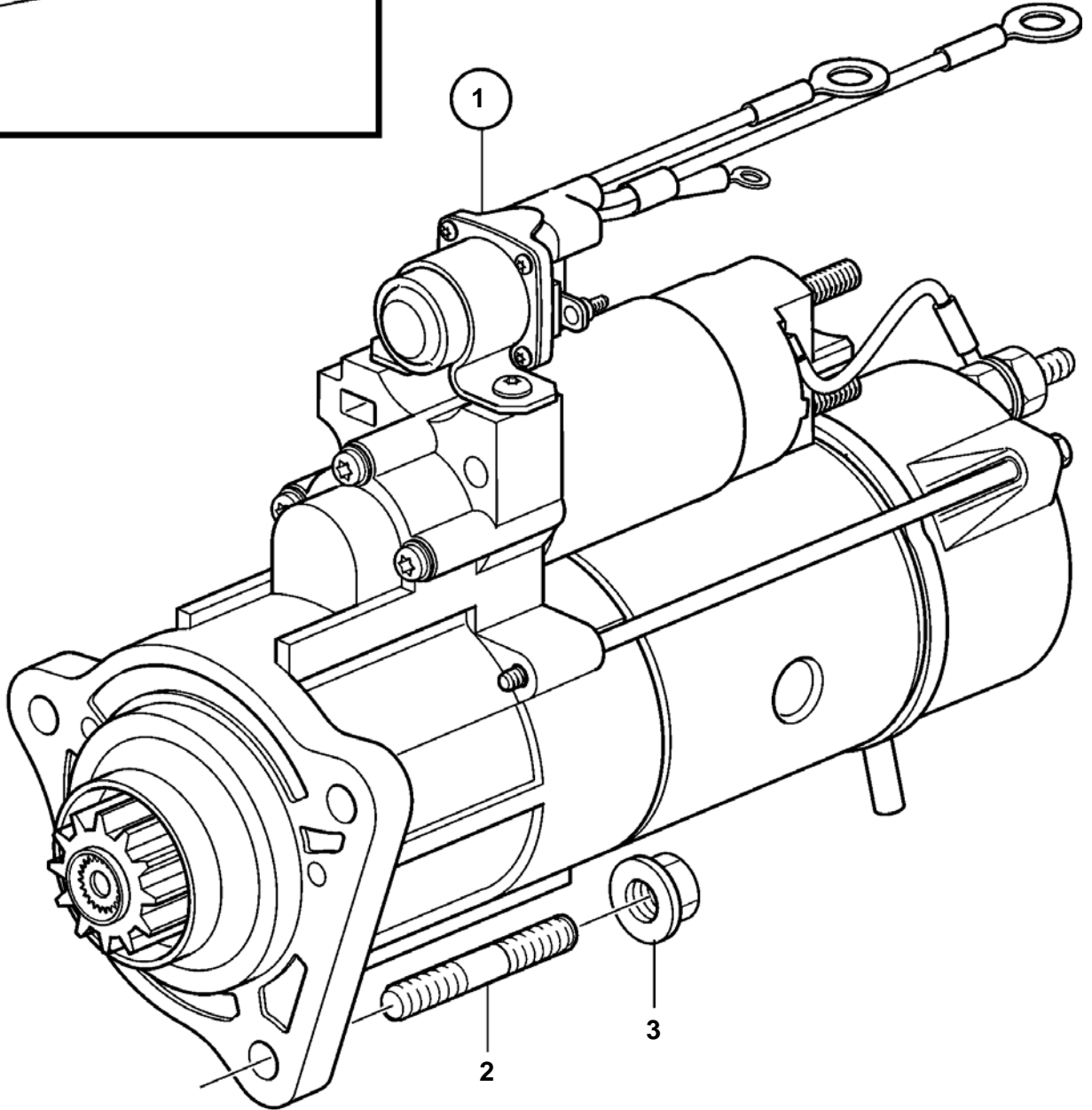
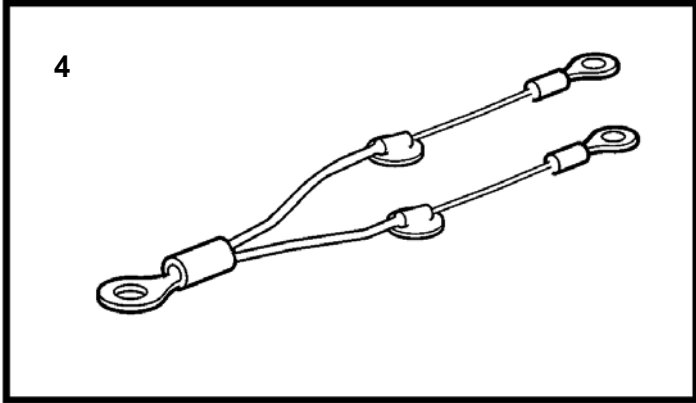
TWD1643GE



TWD1643GE

REF	PART NO.	QTY	DESCRIPTION	NOTES
1	3803639	1	Alternator,exch · Parts not sold separately	28V 80A
2	3829091	1	Bracket	
3	947760	1	Flange screw	
4	946441	1	Screw	
5	3589388	2	Insulating bushing	
6	948645	1	Lock nut	
7	20430376	1	Drive belt	
8	3589369	2	Insulating bushing	
9	979935	1	Flange screw	
10	977938	1	Flange lock nut	
11	3839009	1	Bracket	
12	8192190	1	· Sealing ring	
13	946752	4	Flange screw	
14	3884349	1	Wiring harness	
15	948211	4	Strip clamp	
16	947827	1	Clamp	
17	946440	1	Flange screw	

TAD1640GE, TAD1641GE, TAD1642GE, TWD1643GE

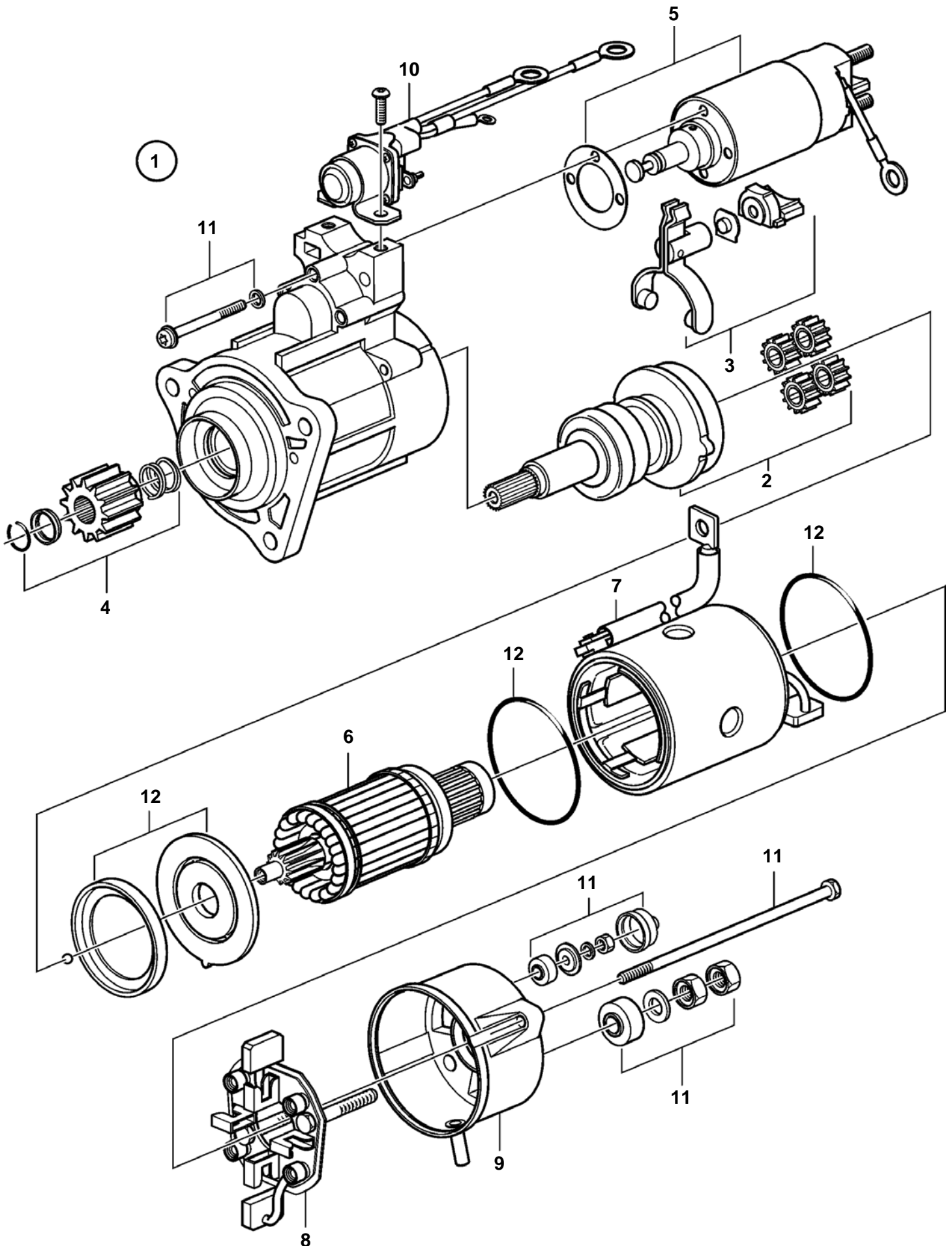


24040

TAD1640GE, TAD1641GE, TAD1642GE, TWD1643GE

REF	PART NO.	QTY	DESCRIPTION	SEE SEC.
1	3803838	1	Starter motor, exch	
				7746
2	953098	3	Stud	
3	971096	3	Nut	
4	3843262	1	Wiring harness	

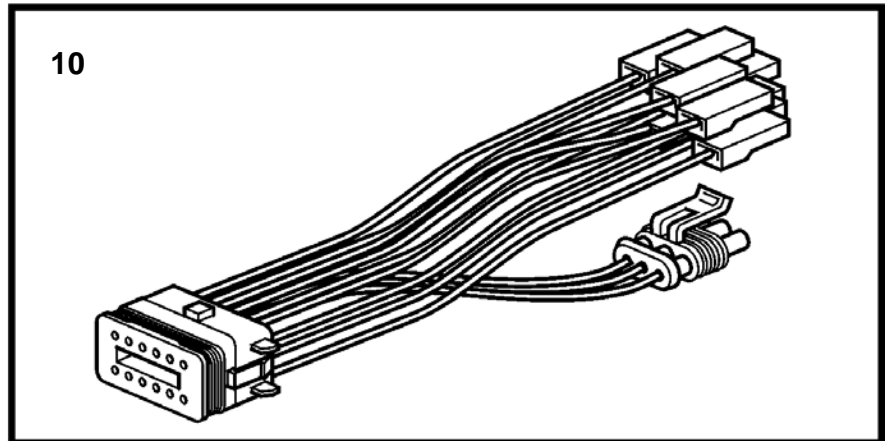
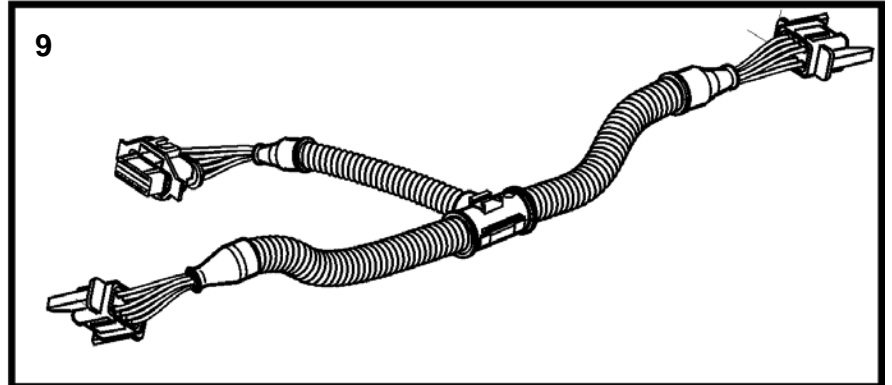
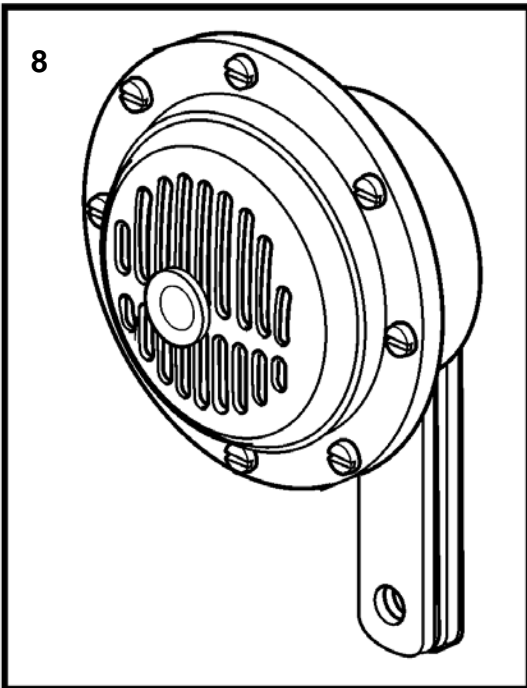
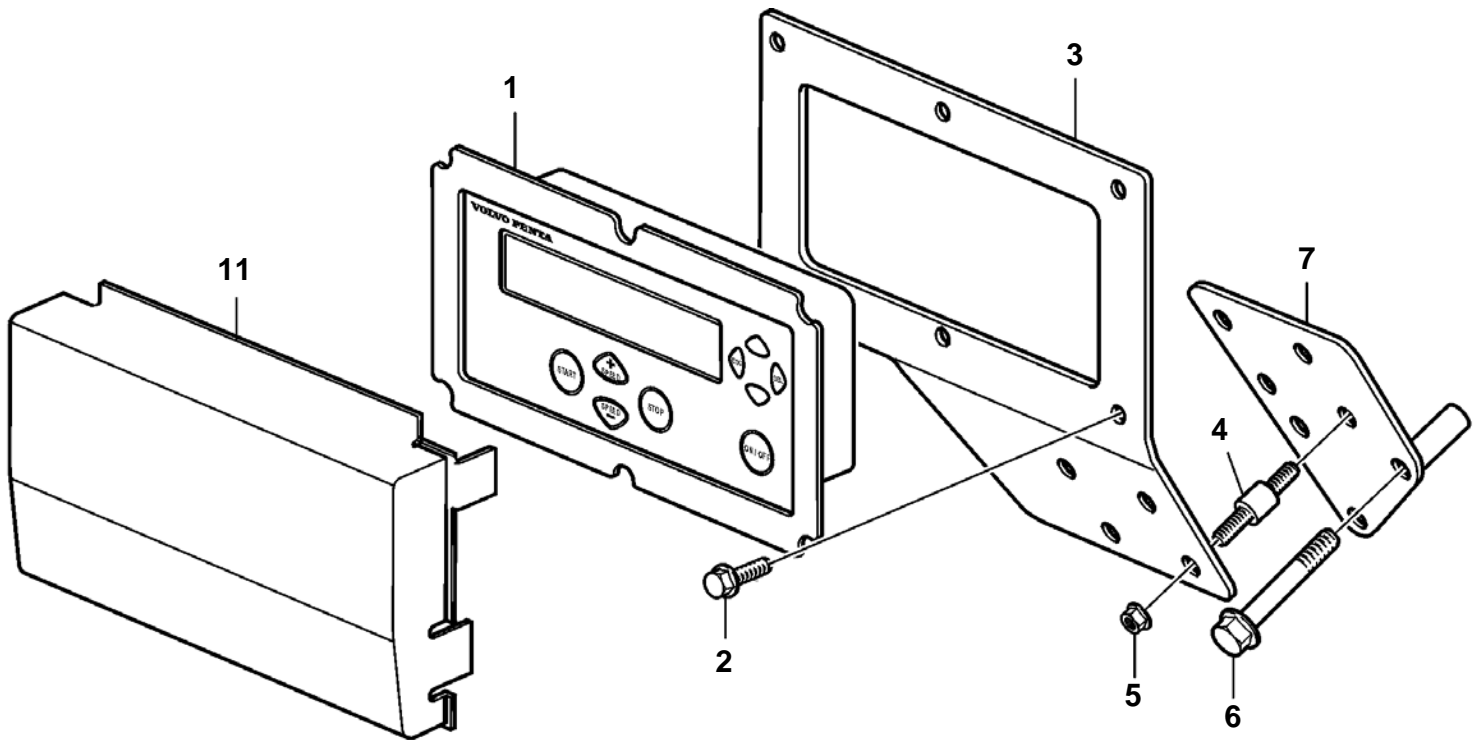
TAD1640GE, TAD1641GE, TAD1642GE, TWD1643GE



TAD1640GE, TAD1641GE, TAD1642GE, TWD1643GE

REF	PART NO.	QTY	DESCRIPTION
1	3803838	1	Starter motor, exch
2		1	· Shaft
3		1	· Lever
4	874738	1	· Starter pinion
5	874745	1	· Solenoid
6		1	· Rotor
7		1	· Stator
8	874741	1	· Carbon brush retaine
9		1	· Bearing shield
10	874743	1	· Relay
11	874747	1	· Screw kit
12	874746	1	· Gasket kit

TAD1640GE, TAD1641GE, TAD1642GE

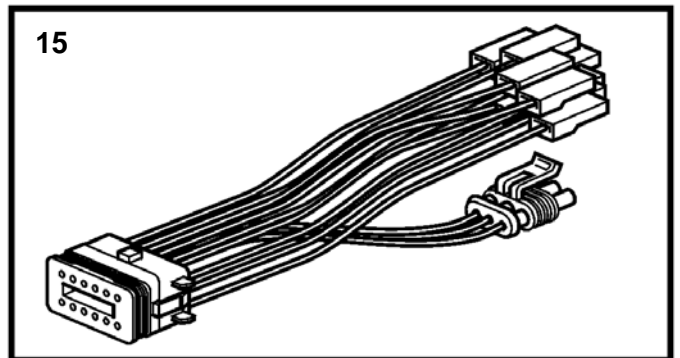
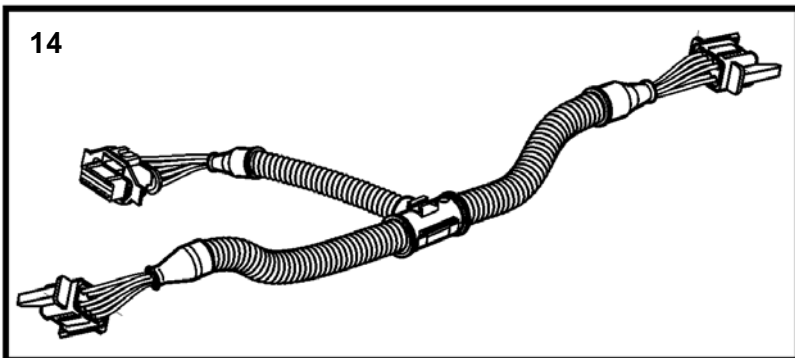
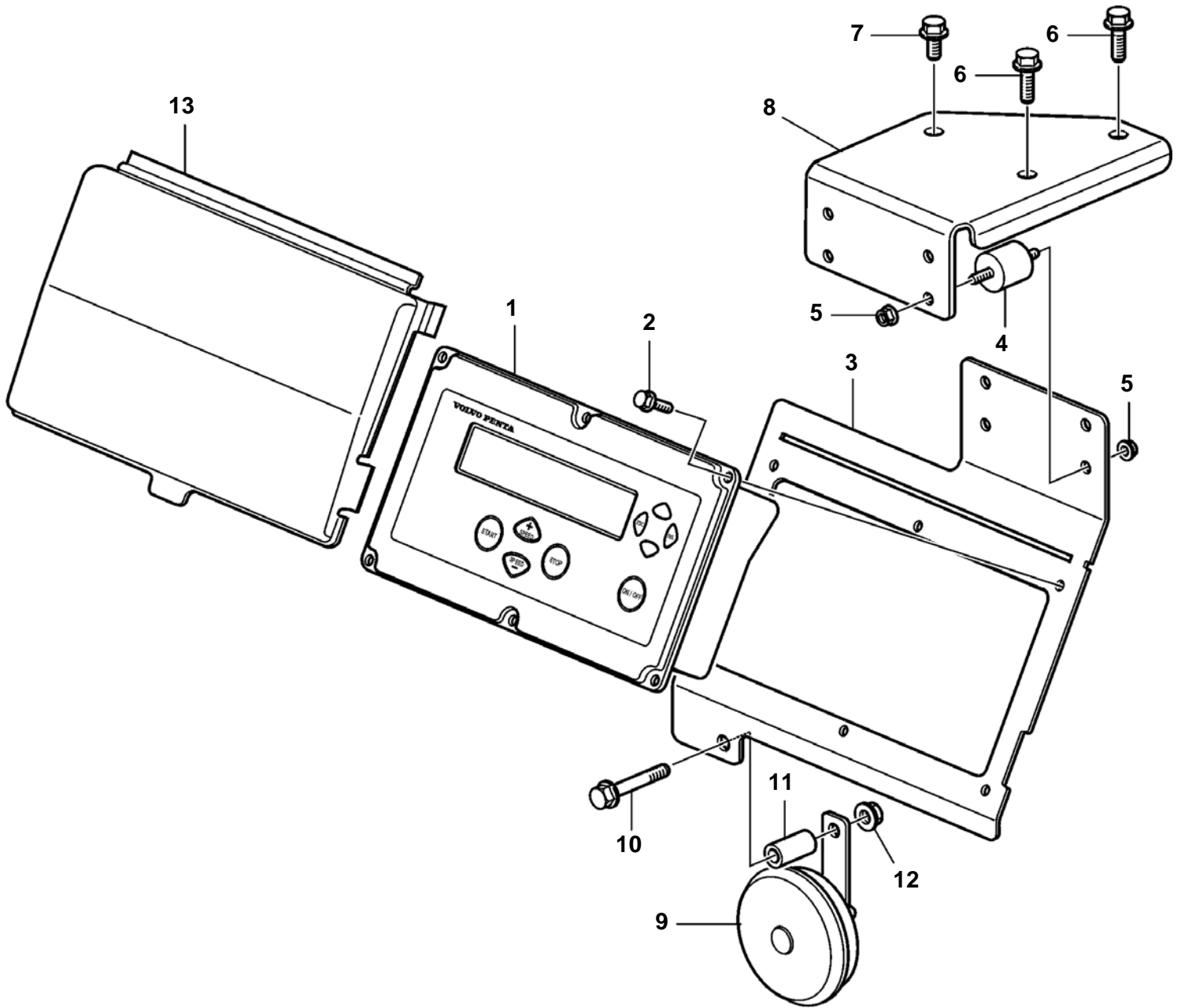


20933

TAD1640GE, TAD1641GE, TAD1642GE

REF	PART NO.	QTY	DESCRIPTION	SEE SEC.	NOTES
1	881776	1	Control unit, dcu, not programmed		Software ordered separately or downloaded with VODIA.
	3587268	1	Update, ciu/dcu		Warehouse programming. This p/n can not be ordered, but will be used for invoicing.
	3587269	1	Update, ciu/dcu		Vodia-programming. This p/n can not be ordered, but will be used for invoicing.
2	969407	6	Screw		(965200)
3	3829181	1	Bracket		
4	3574797	4	Rubber cushion		
5	945407	8	Flange nut		
6	975127	3	Flange screw		
7	3836697	1	Bracket		
8		1	Horn	6965	
9	3588710	1	Cable harness		
10	3807270	1	Cable harness		
11	3588333	1	Protecting casing		

TWD1643GE

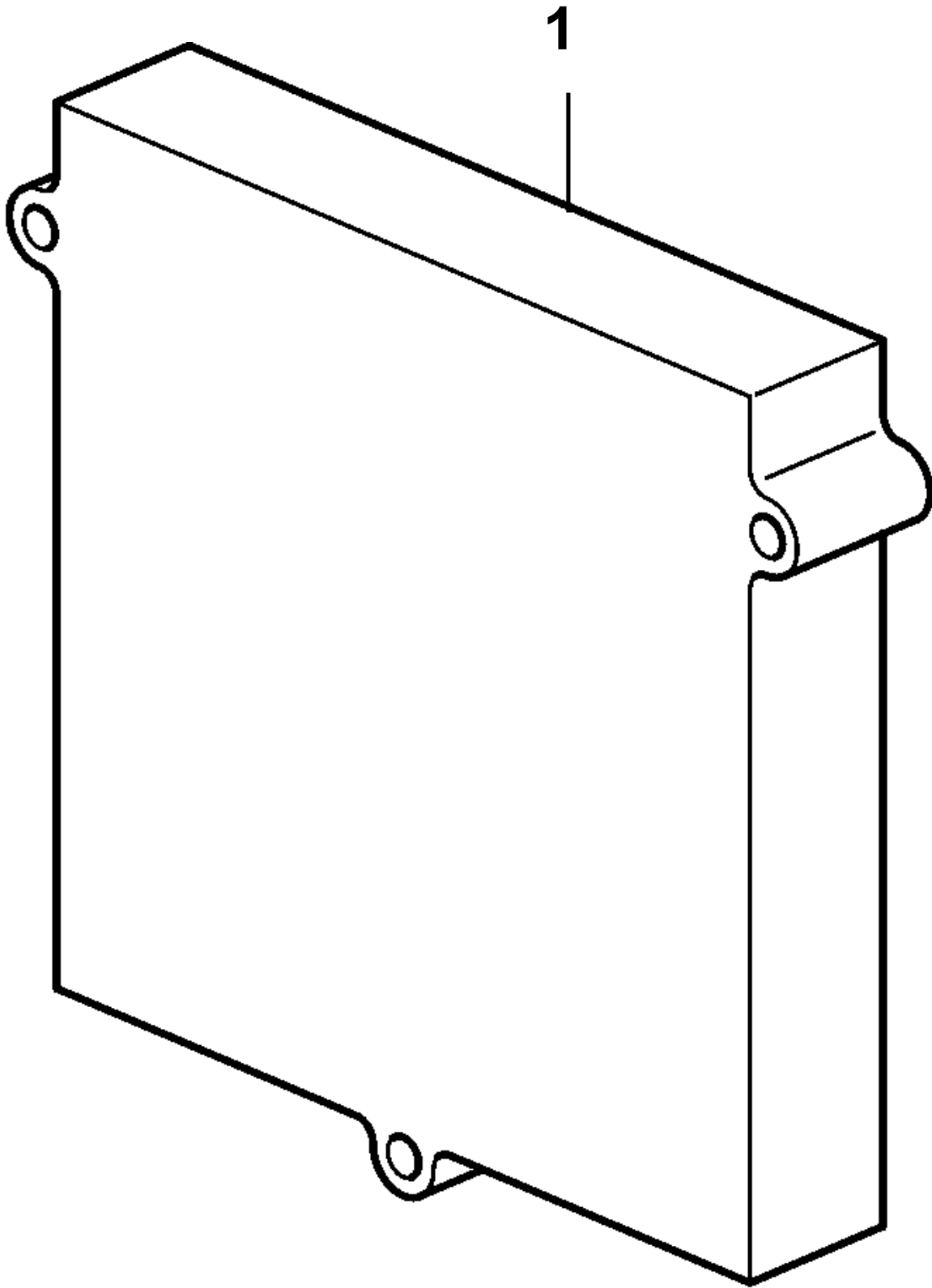


23761

TWD1643GE

REF	PART NO.	QTY	DESCRIPTION	NOTES
1	881776	1	Control unit, dcu, not programmed	Software ordered separately or downloaded with VODIA.
	3587268	1	Update, ciu/dcu	Warehouse programming. This p/n can not be ordered, but will be used for invoicing.
	3587269	1	Update, ciu/dcu	Vodia-programming. This p/n can not be ordered, but will be used for invoicing.
2	969407	6	Screw	(965200)
3		1	Bracket	
4	3574797	4	Rubber cushion	
5	945407	4	Flange nut	
6	945444	2	Flange screw	
7	946440	1	Flange screw	
8		1	Bracket	
9	874050	1	Horn	
10	973924	1	Flange screw	
11	848229	1	Sleeve	
12	945408	1	Flange nut	
13	3588333	1	Protecting casing	
14	3588710	1	Cable harness	
15	3807270	1	Cable harness	

TAD1640GE, TAD1641GE, TAD1642GE, TWD1643GE

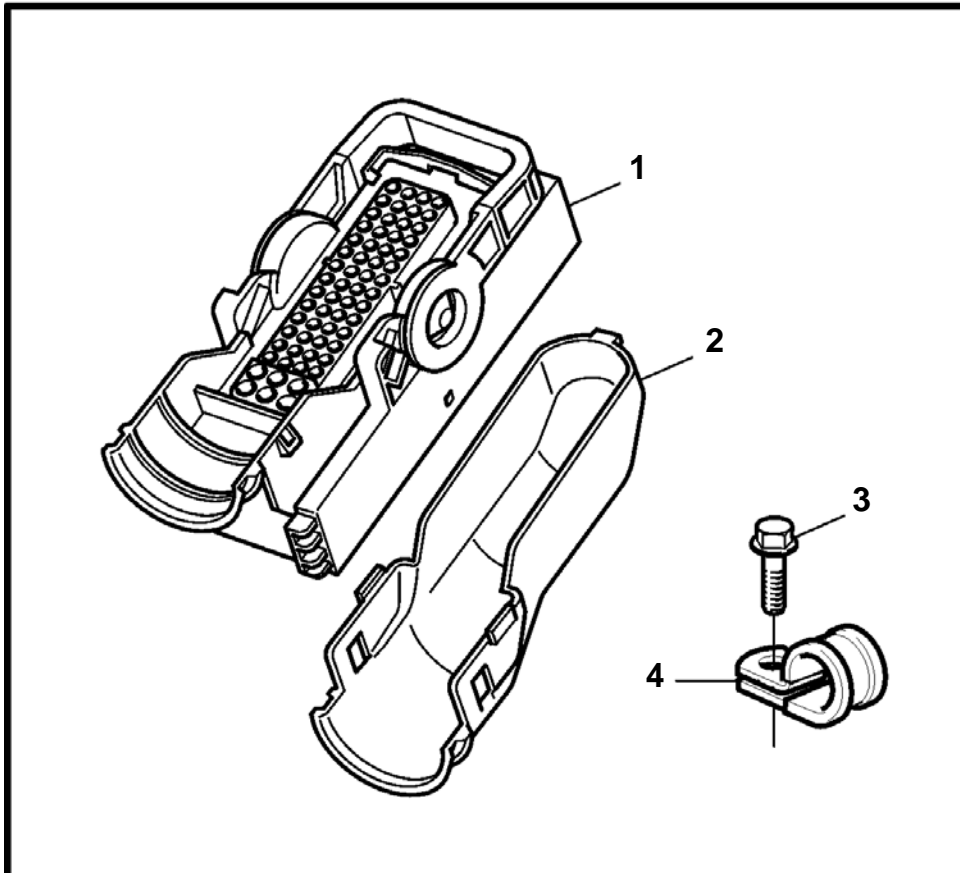
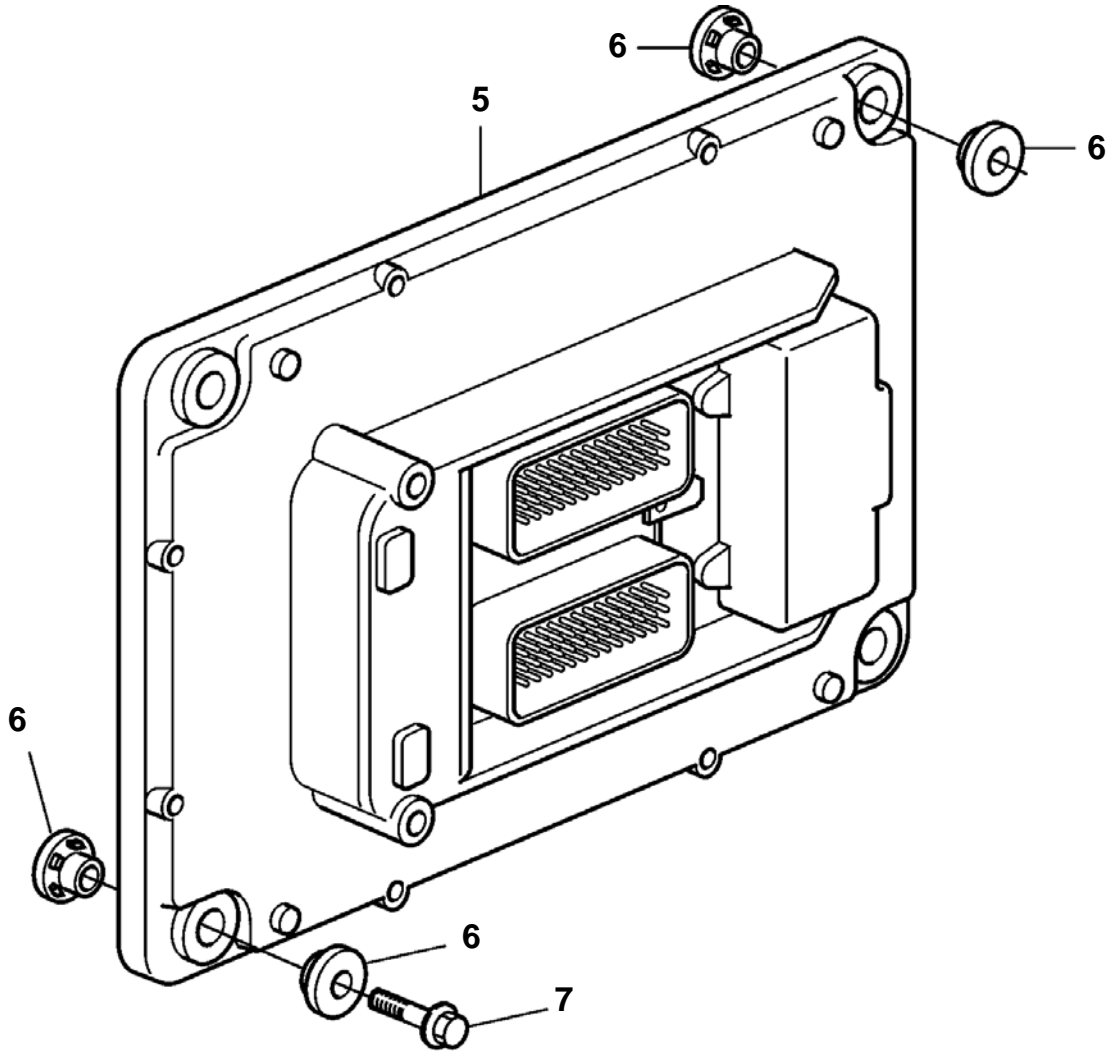


22887

TAD1640GE, TAD1641GE, TAD1642GE, TWD1643GE

REF	PART NO.	QTY	DESCRIPTION	NOTES
1	874239	1	Control unit, ciu, not programmed	Instrument panel / CIU, Software ordered separately or downloaded with VODIA.
	3587268	1	Update, ciu/dcu	Warehouse programming. This p/n can not be ordered, but will be used for invoicing.
	3587269	1	Update, ciu/dcu	Vodia-programming. This p/n can not be ordered, but will be used for invoicing.

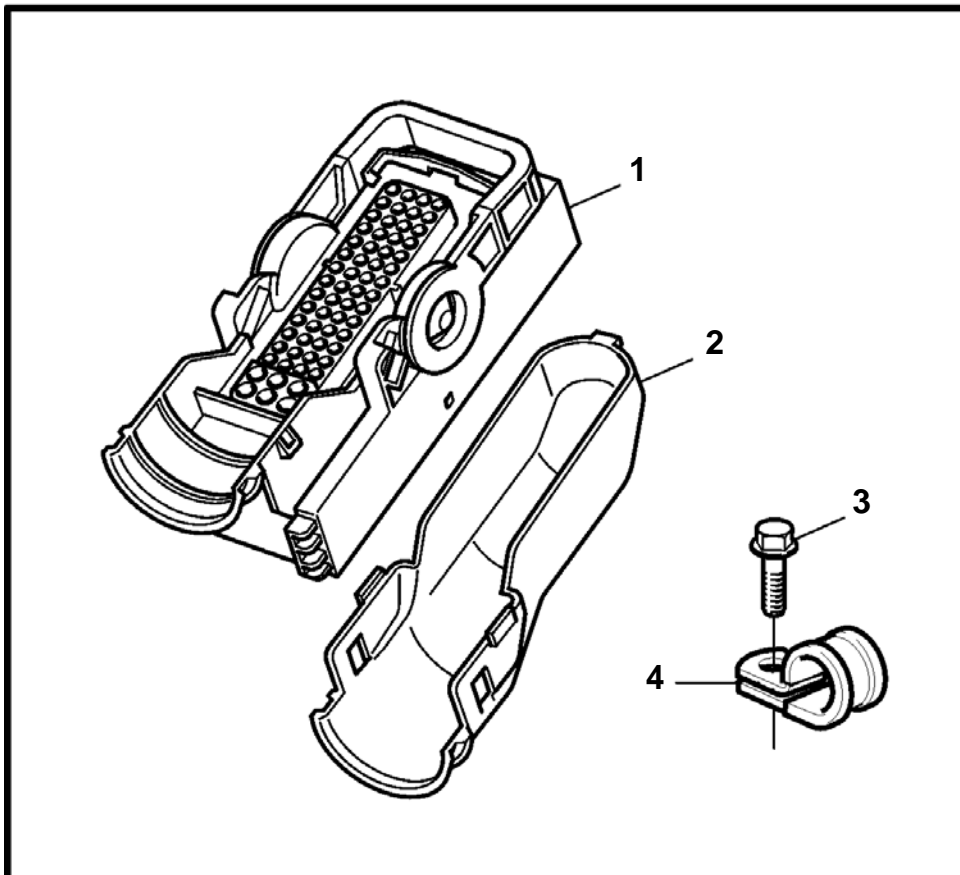
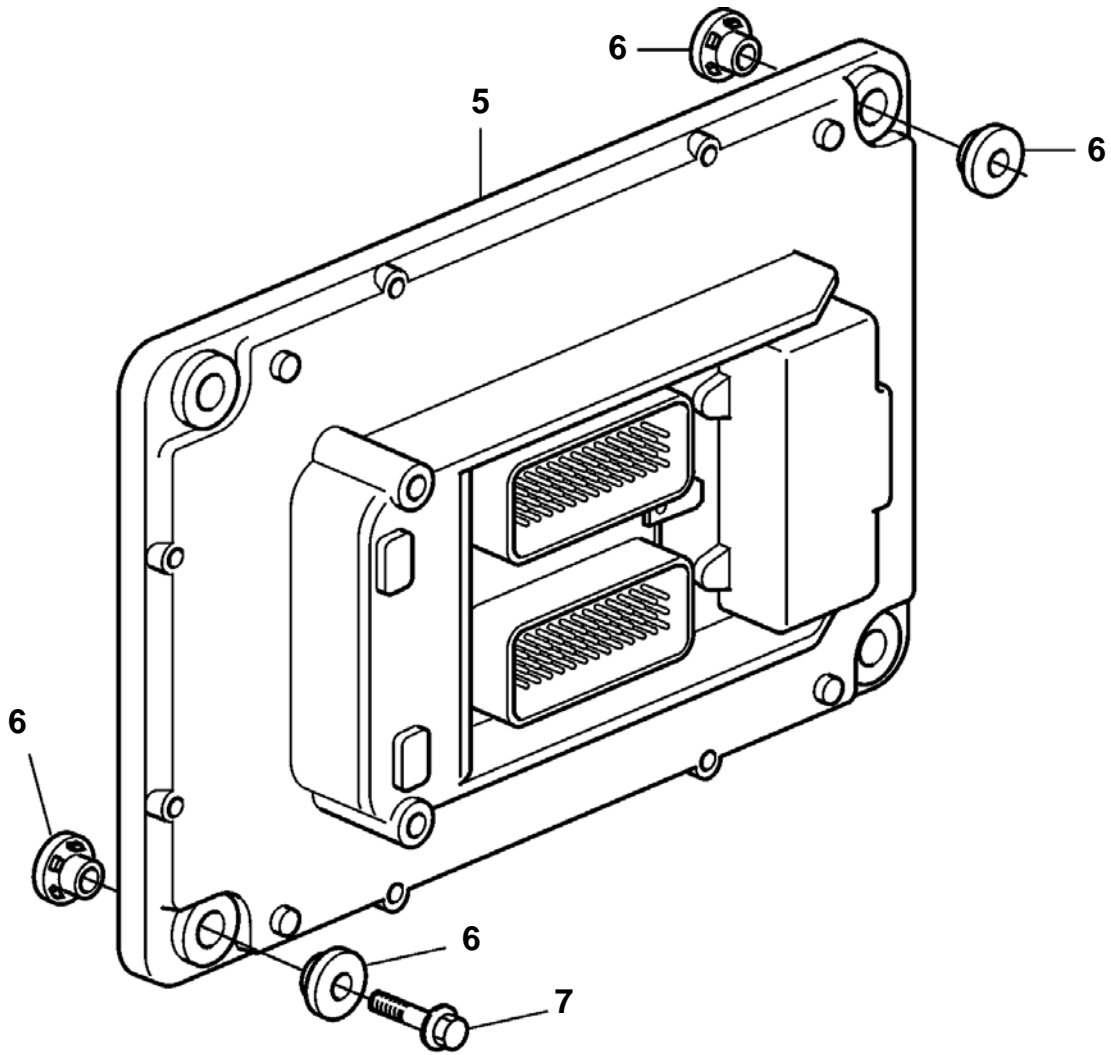
TAD1640GE, TAD1641GE, TAD1642GE



TAD1640GE, TAD1641GE, TAD1642GE

REF	PART NO.	QTY	DESCRIPTION	NOTES
1	20429842	1	Housing	BLACK
	20429843	1	Housing	GREY
2	20429844	1	Cover	
3	949997	2	Clamp	
4	946440	2	Flange screw	
5	20814594	1	Control unit, eecu, not programmed	(24425461)
	3586269	1	Update, eecu	Warehouse programming. This p/n can not be ordered, but will be used for invoicing.
	3586268	1	Update, eecu	Vodia-programming. This p/n can not be ordered, but will be used for invoicing.
6	3095161	4	Rubber cushion	
7	965180	4	Flange screw	

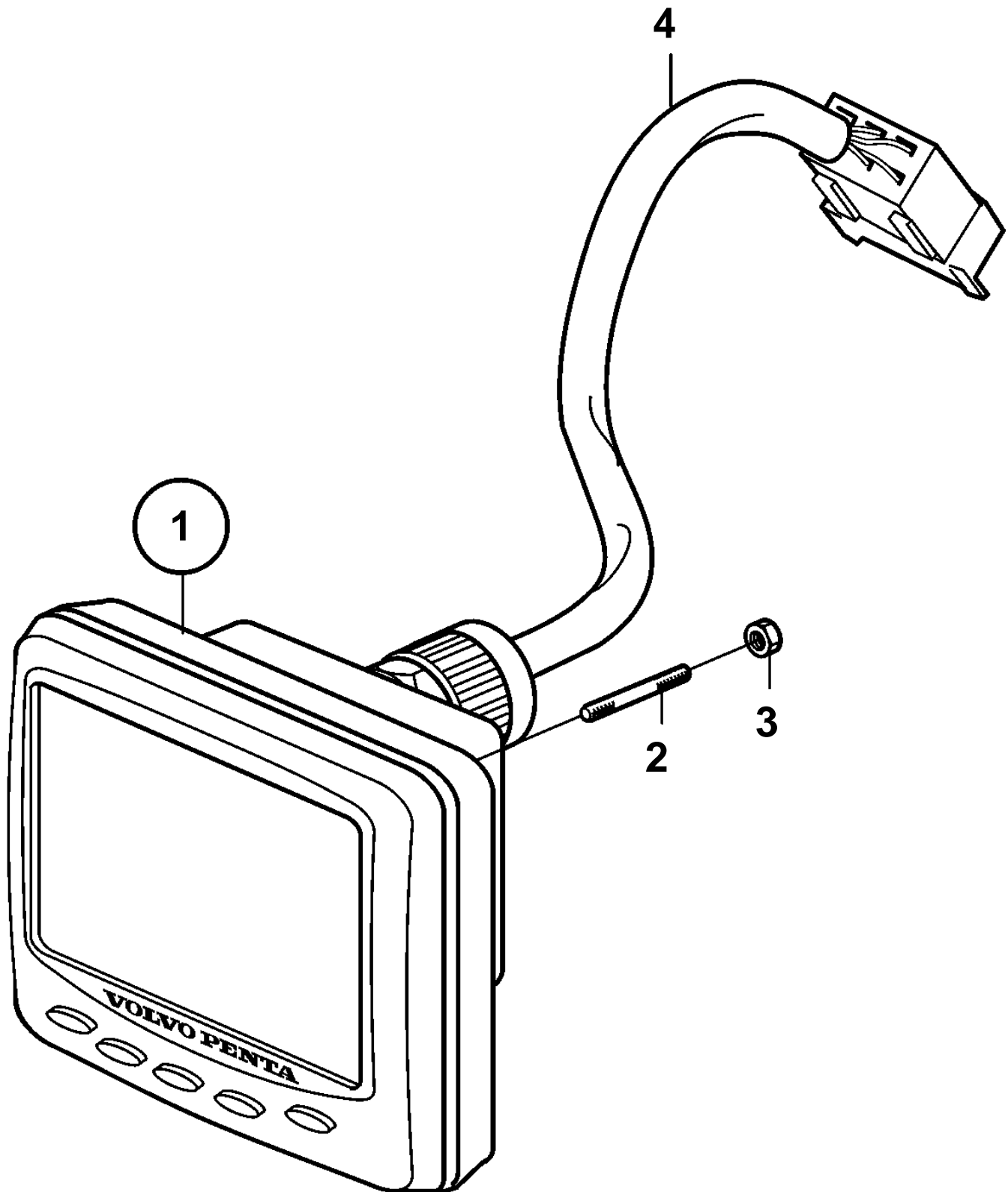
TWD1643GE



TWD1643GE

REF	PART NO.	QTY	DESCRIPTION	NOTES
1	20429842	1	Housing	BLACK
	20429843	1	Housing	GREY
2	20429844	1	Cover	
3	949997	2	Clamp	
4	946440	2	Flange screw	
5	20814795	1	Control unit, eecu, not programmed	
	3586269	1	Update, eecu	Warehouse programming. This p/n can not be ordered, but will be used for invoicing.
	3586268	1	Update, eecu	Vodia-programming. This p/n can not be ordered, but will be used for invoicing.
6	3095161	4	Rubber cushion	
7	965180	4	Flange screw	

TAD1640GE, TAD1641GE, TAD1642GE, TWD1643GE

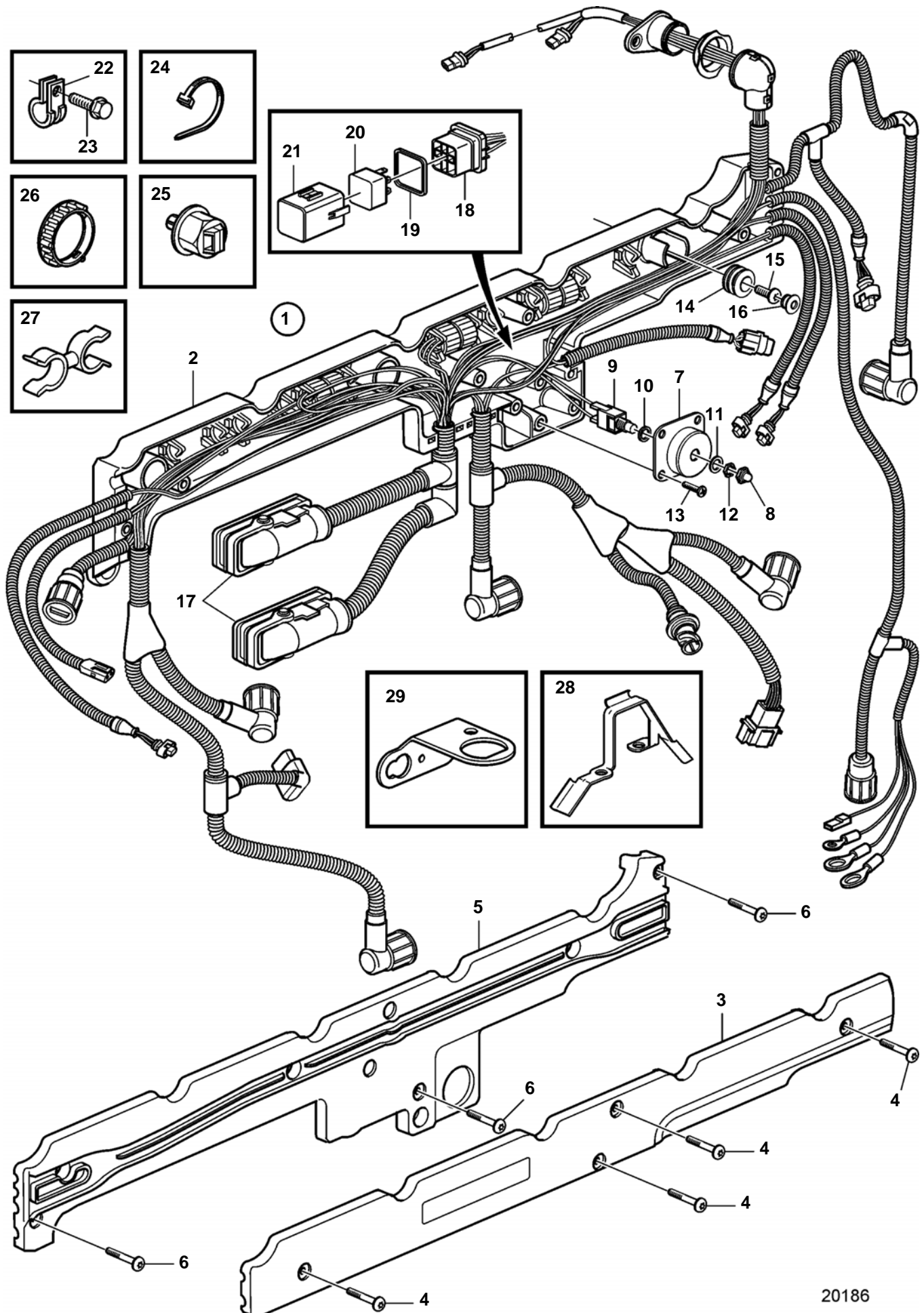


20937

TAD1640GE, TAD1641GE, TAD1642GE, TWD1643GE

REF	PART NO.	QTY	DESCRIPTION
1	3807892	1	Display
2	830928	4	· Stud
3	830930	4	· Nut
4	3807982	1	Cable harness

TAD1640GE, TAD1641GE, TAD1642GE

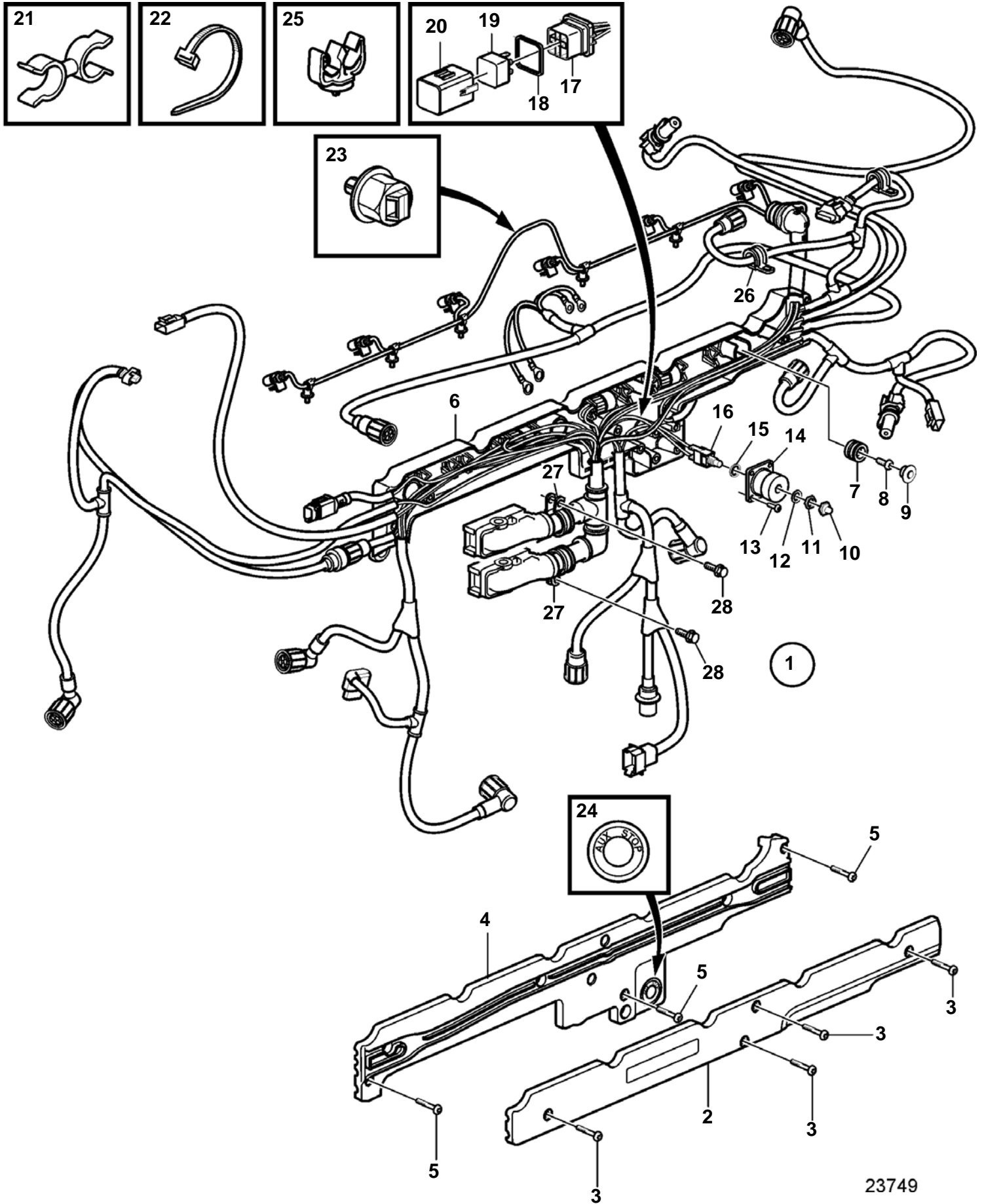


20186

TAD1640GE, TAD1641GE, TAD1642GE

REF	PART NO.	QTY	DESCRIPTION	SEE SEC.	NOTES
1	3886597	1	Cable harness		(3843030)
2		1	• Box		
3	8131657	1	• Cover		
4	3985652	4	• • Screw		
5	8131656	1	• Box		
6	3985652	3	• Screw		
7	3838949	1	• Cover		
8	828586	1	• Nut		
9	873959	1	• Breaker		
10		1	• Nut		
11		1	• Washer		
12		1	• Nut		
13	969408	4	• Screw		
14	1079687	5	• Rubber cushion		
15	1079677	5	• Plug		
16	969598	5	• 6 point socket screw		
17		2	• Switch	6944	
18	3587172	1	• Lower section		
19		1	• • Gasket		
20	20374662	1	• Relay		
21	3587173	1	• Box		
22	949997	1	Clamp		D=31,8mm
	949746	2	Clamp		D=12,7mm
23	946440	X	Flange screw		M8x16mm
24	948211	X	Strip clamp		D=67mm
	983472	X	Strip clamp		D=35mm
25	8131393	X	Retainer		
26	3963413	1	Attaching ring		
27	3121512	2	Retainer		
28		1	Bracket		
29	3988328	1	Bracket		

TWD1643GE

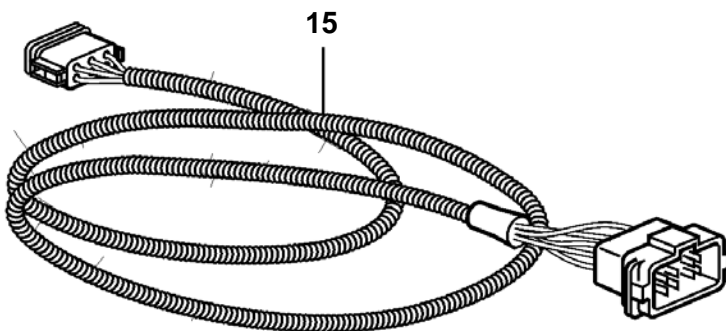
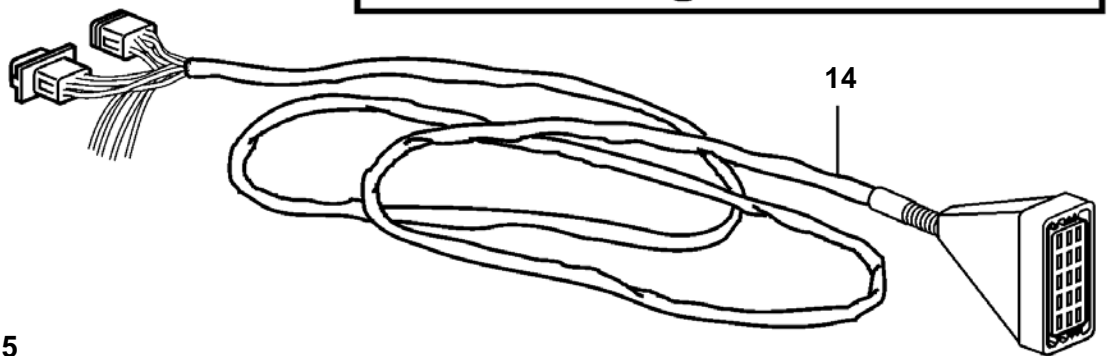
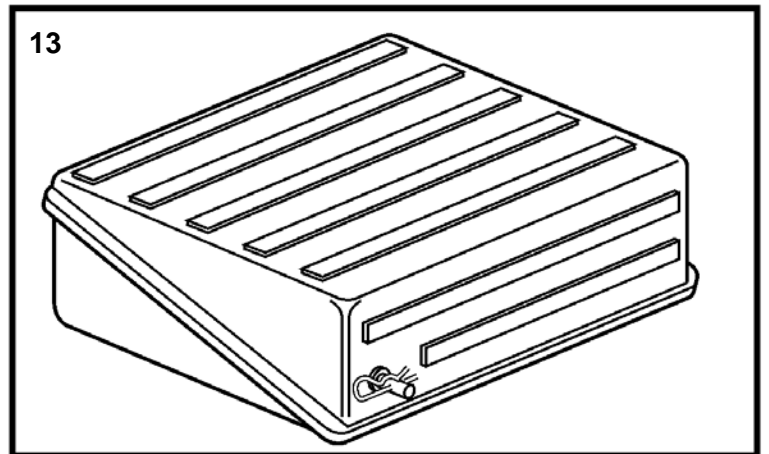
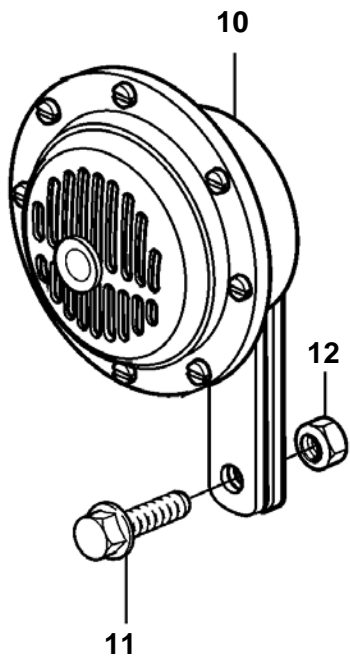
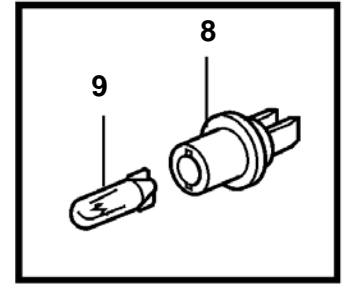
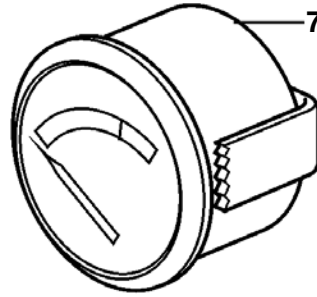
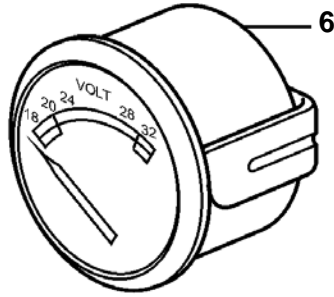
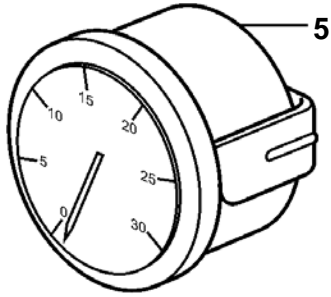
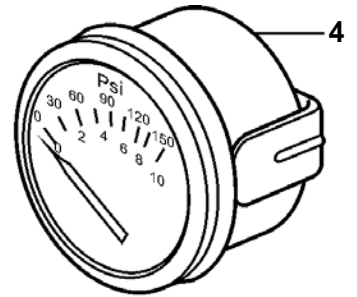
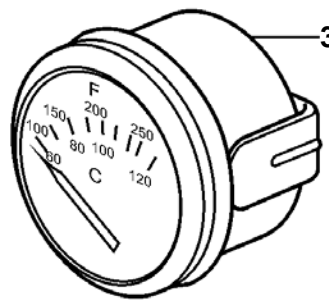
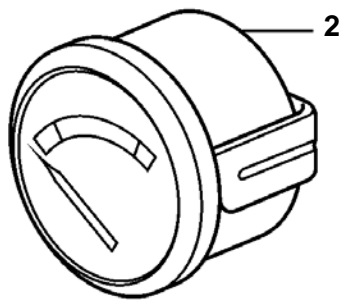
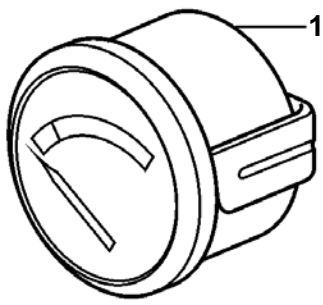


23749

TWD1643GE

REF	PART NO.	QTY	DESCRIPTION	NOTES
1	3847770	1	Cable harness	
2		1	· Cover	
3	3985652	4	· · Screw	
4		1	· Intermediate section	
5	3985652	3	· Screw	
6		1	· Box	
7	1079687	5	· Rubber cushion	
8	969598	5	· 6 point socket screw	
9	1079677	5	· Plug	
10	828586	1	· Nut	
11		1	· Nut	
12		1	· Washer	
13	969408	4	· Screw	
14	3838949	1	· Cover	
15		1	· Nut	
16	873959	1	· Breaker	
17	3587172	1	· Lower section	
18		1	· · Gasket	
19	20374662	1	· Relay	
20	3587173	1	· Box	
21	3121512	2	Retainer	
22	948211	X	Strip clamp	
23	8131393	X	Retainer	
24	3809463	1	Decal	
25	20440940	4	Clamp	
26	981664	X	Clamp	ID=15,9mm
	949746	X	Clamp	ID=12,7mm
27	949997	2	Clamp	ID=31,8mm
28	946440	2	Flange screw	

TAD1640GE, TAD1641GE, TAD1642GE

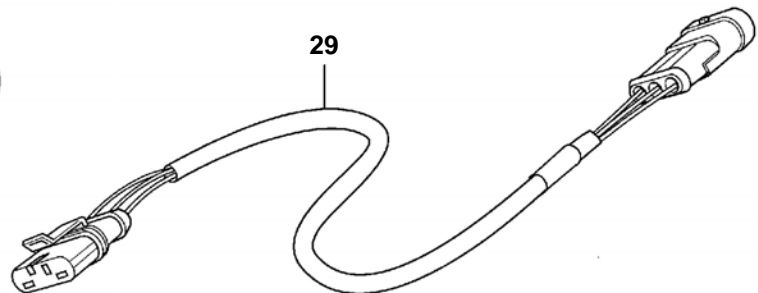
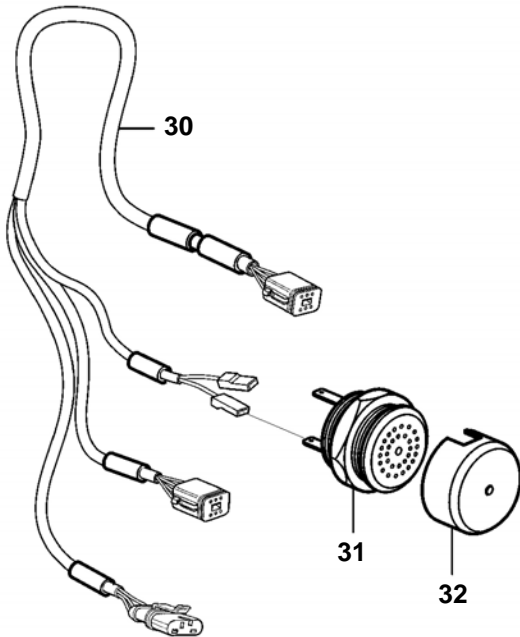
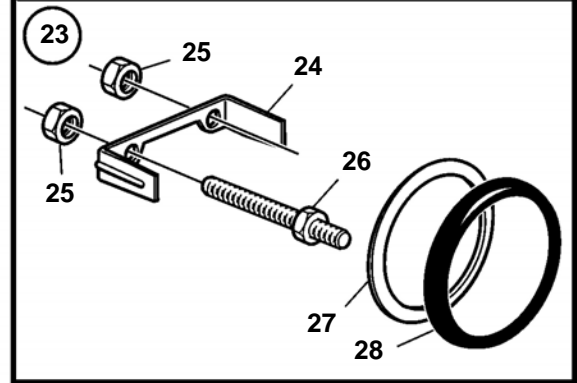
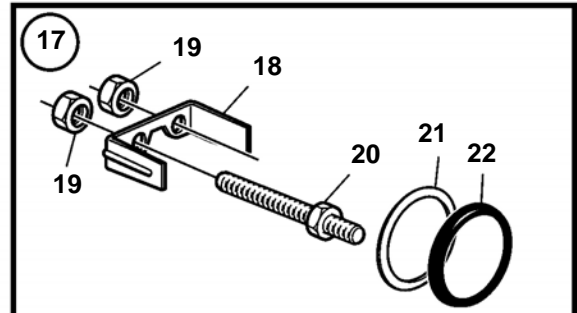
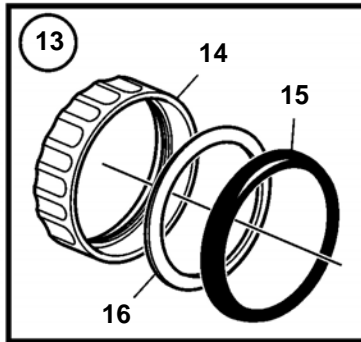
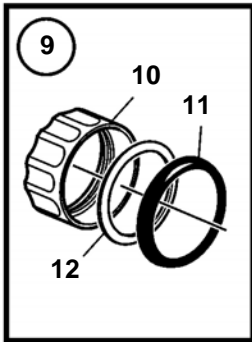
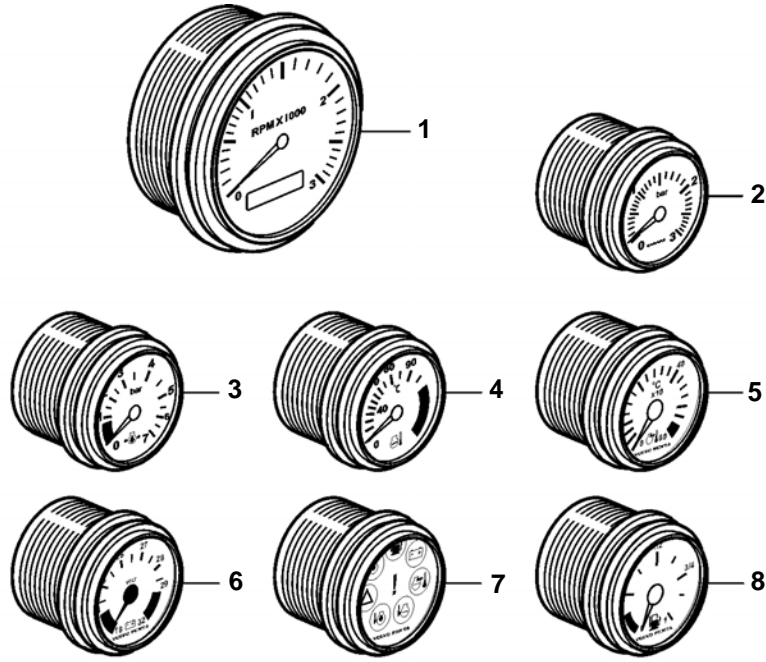


20938

TAD1640GE, TAD1641GE, TAD1642GE

REF	PART NO.	QTY	DESCRIPTION	SEE SEC.	NOTES
1	849849	1	Oil pressure gauge		
2	849848	1	Thermometer		
3	873196	1	Temperature gauge		
4	873198	1	Oil pressure gauge		
5	873998	1	Rev counter kit		
6	862096	1	Voltmeter		
7	863408	1	Thermometer, oil		
8	808175	1	Bulb socket		For 849849, 849848, 862096, 863408.
	863945	1	Bulb socket		For 873196, 873198, 873998.
9	182059	1	Bulb		For 849849, 849848.
	863947	1	Bulb		Included in 873196, 873198, 873998, 872479.
	828818	1	Bulb		For 862096, 863408.
10	874050	1	Horn		
11	946440	1	Flange screw		
12	945408	1	Flange nut		
13		1	Battery box	4655	
14	3808418	1	Cable harness		Cable kit CIU.
15	874414	1	Extension cable		Connection cable EDC, CIU., L=3.0m
	874119	1	Extension cable		Connection cable EDC, CIU., L=5.0m
	874386	1	Extension cable		Connection cable EDC, CIU., L=7.0m
	874387	1	Extension cable		Connection cable EDC, CIU., L=9.0m
	874388	1	Extension cable		Connection cable EDC, CIU., L=11.0m

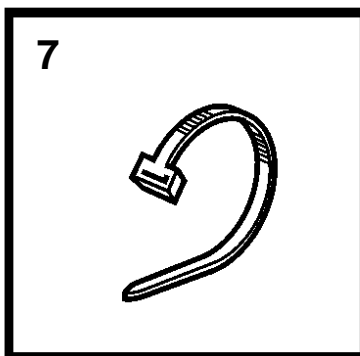
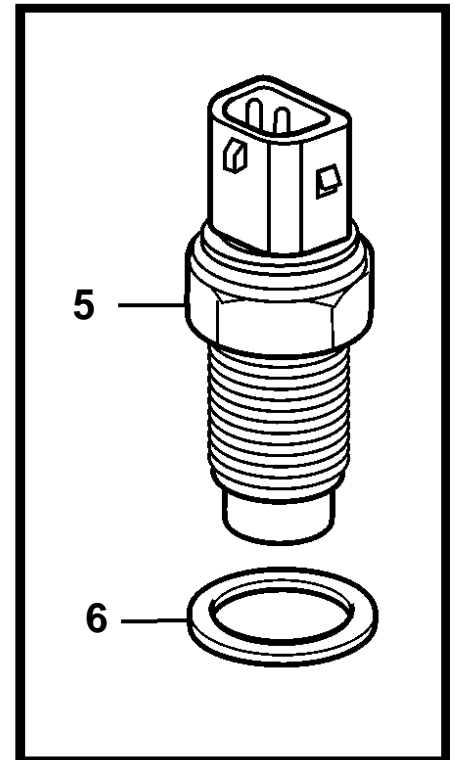
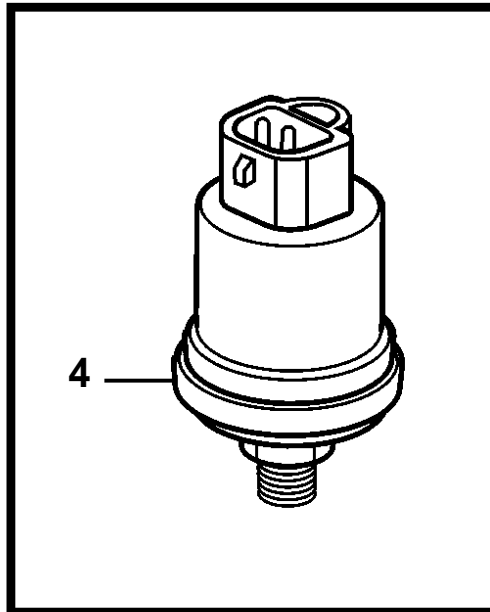
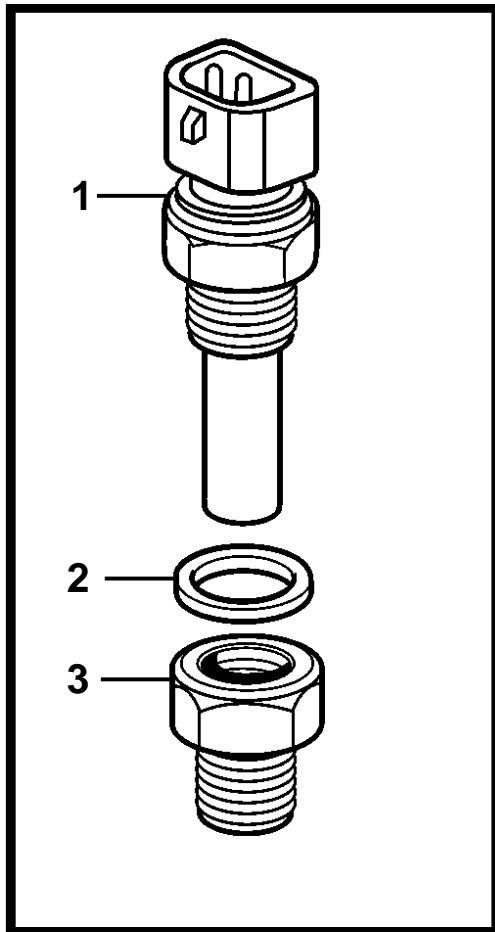
TAD1640GE, TAD1641GE, TAD1642GE, TWD1643GE



TAD1640GE, TAD1641GE, TAD1642GE, TWD1643GE

REF	PART NO.	QTY	DESCRIPTION	NOTES
1	874903	1	Tachometer	BLACK D=85mm
	874928	1	Tachometer	WHITE D=85mm
2	874910	1	Turbo pressure gauge	BLACK 0-3 bar
	874920	1	Turbo pressure gauge	BLACK 0-45 psi
	874911	1	Pressure gauge, freshwater	BLACK 0-3 bar
	874912	1	Pressure gauge, sea water	BLACK 0-3 bar
3	874908	1	Oil pressure gauge, engine	BLACK 0-7 bar
	874919	1	Oil pressure gauge, engine	Black 0-100 psi
	874909	1	Oil pressure gauge, reverse gear	BLACK 0-25 bar
	874951	1	Oil pressure gauge, reverse gear	BLACK 0-350 psi
4	874904	1	Thermometer, coolant water	Black 0-120°C
	874918	1	Thermometer, coolant water	BLACK 40-250 °F
	874905	1	Thermometer, oil-engine	BLACK 0-150°C
	881857	1	Thermometer, oil-engine	BLACK 40-300 °F
	874906	1	Thermometer, reverse gear	Black 0-120°C
5	874907	1	Thermometer, exhaust temp	BLACK 0-600 °C
6	874913	1	Voltmeter	Black
7	874915	1	Instrument, alarm	BLACK
8	874914	1	Fuel gauge	BLACK
9	874709	1	Mounting kit	BLACK D=52mm
10	874450	1	· Attaching ring	
11	874448	1	· Ring	
12	874707	1	· Gasket	
13	874708	1	Mounting kit	BLACK D=85mm
14	874449	1	· Attaching ring	
15	874447	1	· Ring	
16	874706	1	· Gasket	
17	881611	1	Brace kit	BLACK D=52mm
18	881607	1	· Brace	
19	881610	2	· Nut	
20	881609	2	· Stud	
21	874707	1	· Gasket	
22	874448	1	· Ring	
23	881612	1	Brace kit	BLACK D=85mm
24	881608	1	· Brace	
25	881610	2	· Nut	
26	881609	2	· Stud	
27	874706	1	· Gasket	
28	874447	1	· Ring	
29	874759	1	Extension cable, instrument	L=1000mm
30	3808852	1	Cable kit, instrument	
31	828587	1	Buzzer	
32	858795	1	Protecting casing	

TAD1640GE, TAD1641GE, TAD1642GE

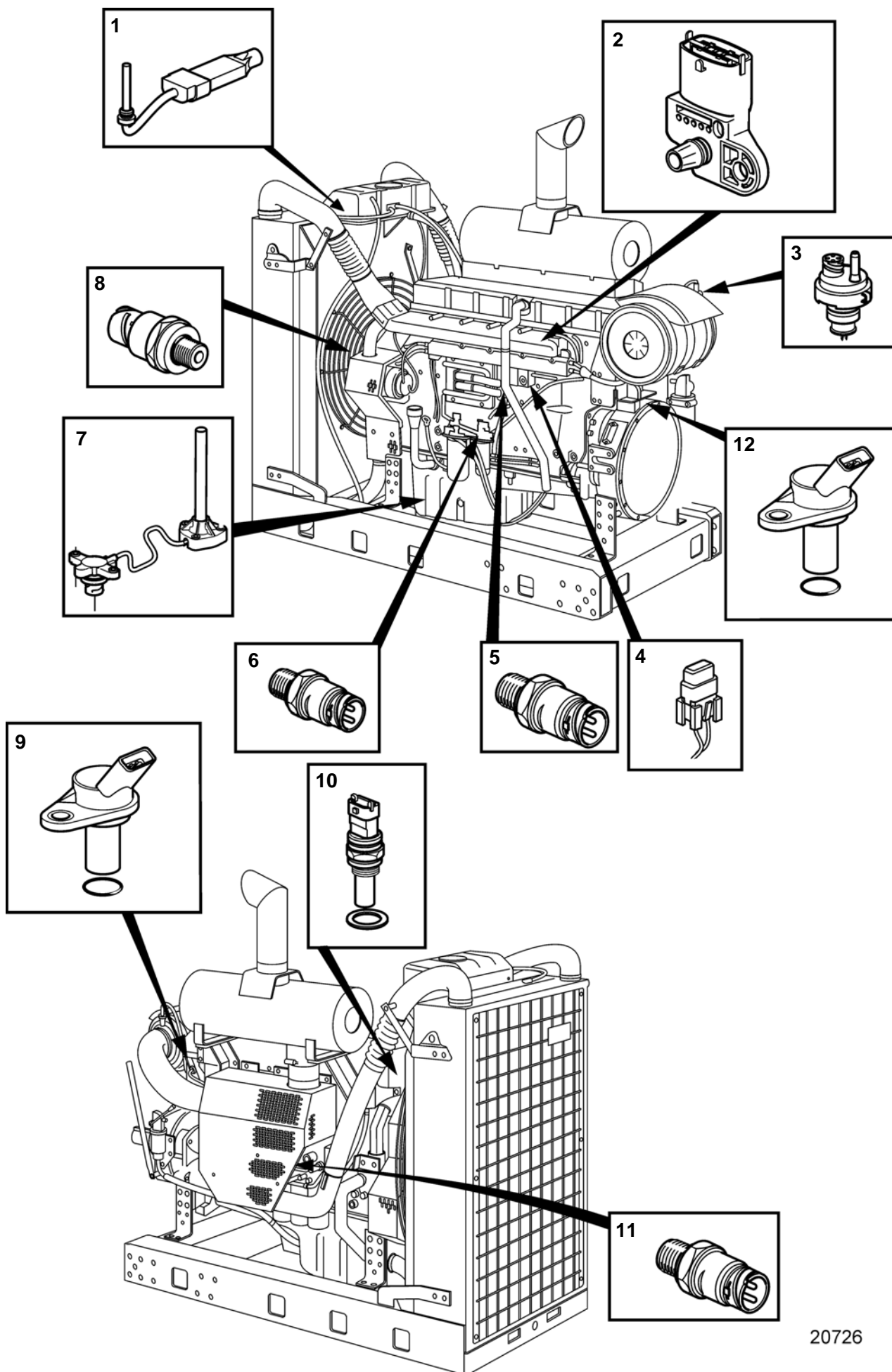


20939

TAD1640GE, TAD1641GE, TAD1642GE

REF	PART NO.	QTY	DESCRIPTION	SEE SEC.	NOTES
1	862154	1	Temperature sensor		
2	11998	1	Gasket		
3	3832778	1	Reduction nipple		
4	866835	1	Pressure sensor		
			• Bulletin P-38-6-1	P-38-6-1-EN	Vibration Damping Kit
5	862251	1	Tachometer sensor		
6	948884	1	Washer		
7	948211	X	Strip clamp		

TAD1640GE, TAD1641GE, TAD1642GE

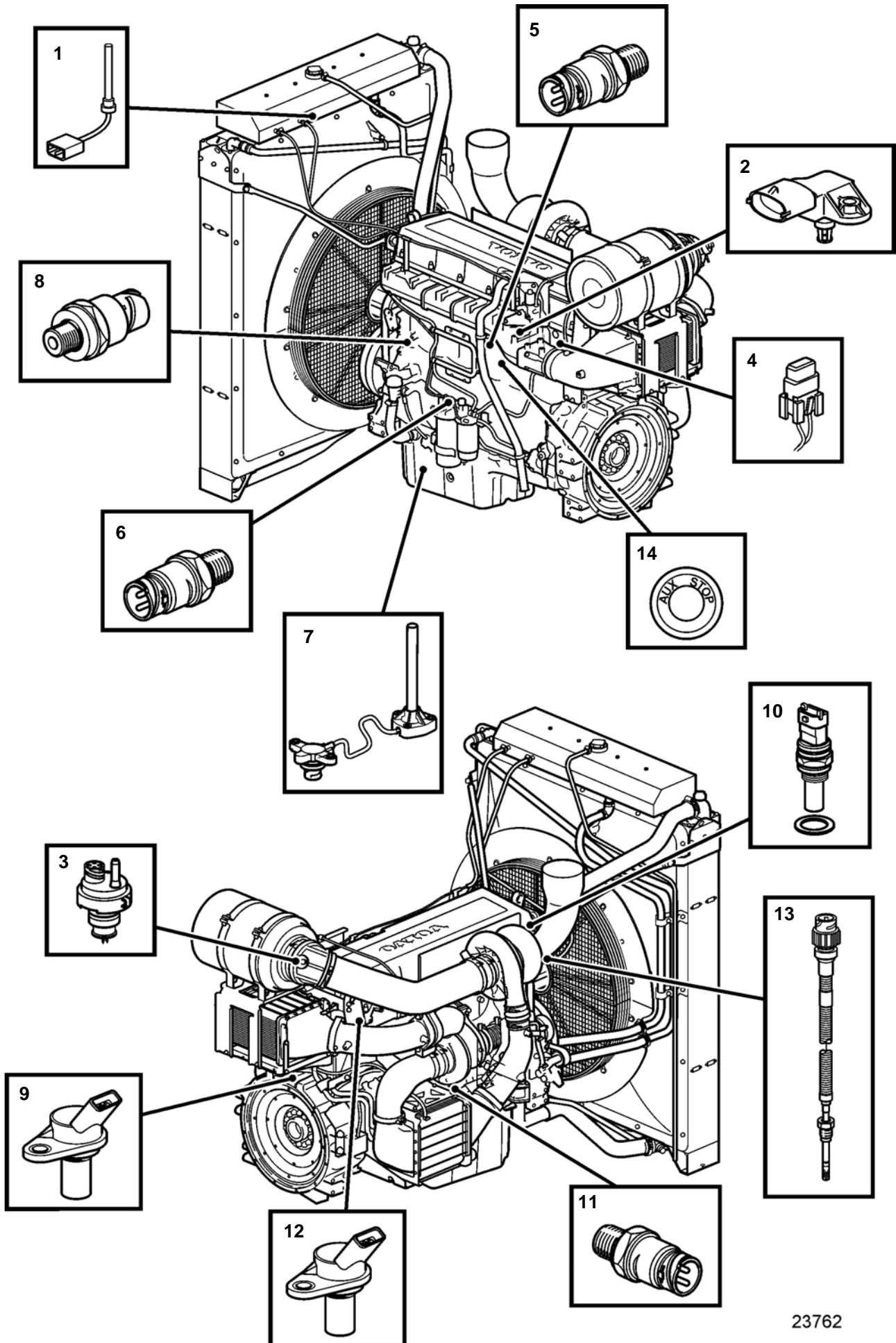


20726

TAD1640GE, TAD1641GE, TAD1642GE

REF	PART NO.	QTY	DESCRIPTION	SEE SEC.	NOTES
1	8140024	1	Level sensor, expansion tank		
2	20524936	1	Sender, pressure/temp		
3		1	Sender, pressure/temp	6758	
4	969161	1	Fuse		
5	20898038	1	Pressure sensor, oil pressure/temperature		(20886108)
6	20898038	1	Pressure sensor, fuel pressure		(20886108)
7	21042447	1	Sender, level		(24424110)
8	20796744	1	Pressure sensor, crankcase pressure		(20499340)
9	20513343	1	Tachometer sensor		
10	20513340	1	Temperature sensor, coolant water temp.		
11	874673	1	Pressure monitor, piston cooling		
12	20513343	1	Tachometer sensor		

TWD1643GE

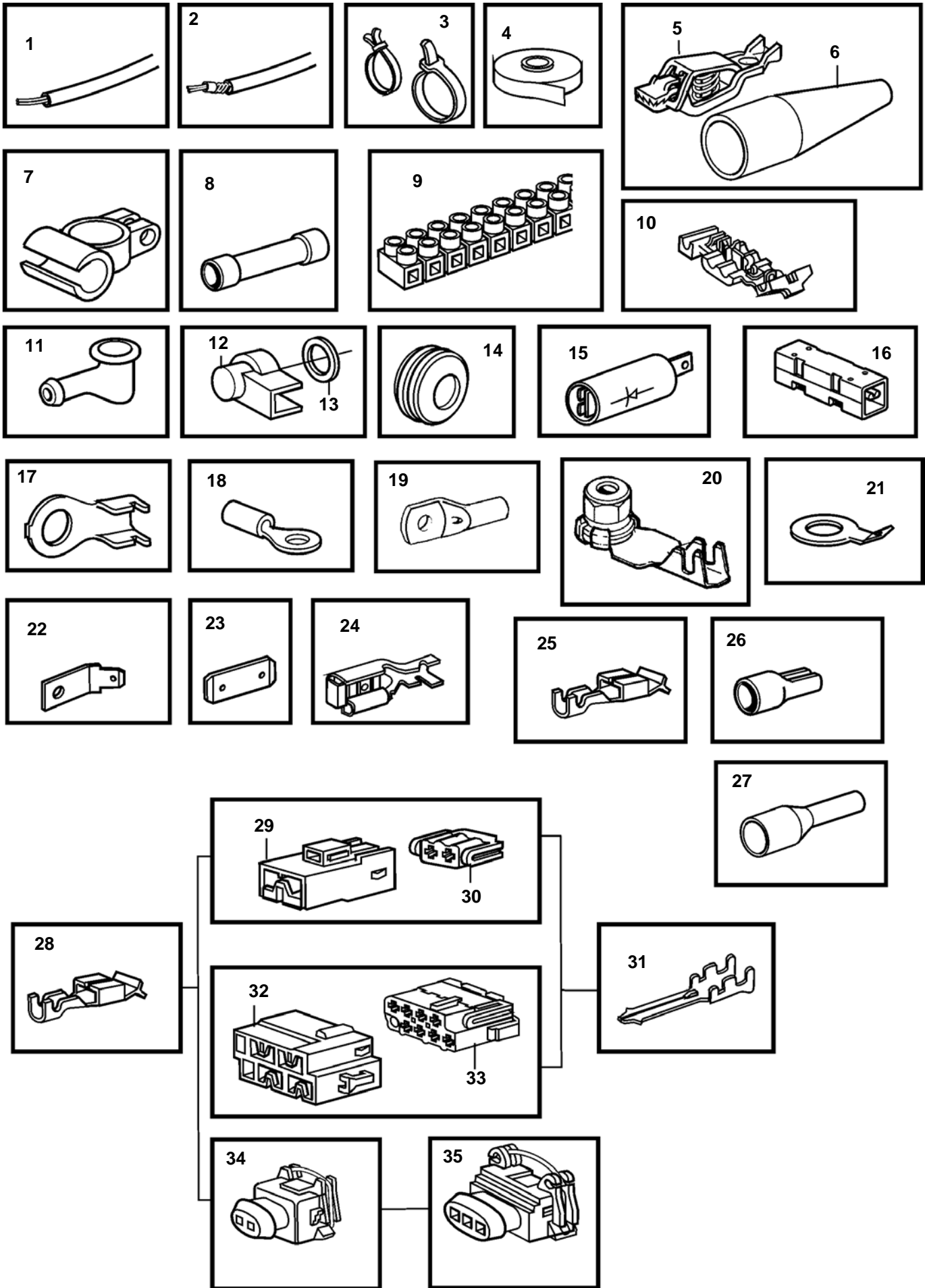


23762

TWD1643GE

REF	PART NO.	QTY	DESCRIPTION	SEE SEC.
1	8140024	1	Level sensor, expansion tank	
2	3843012	1	Sender, charge pressure/temperature	
3		1	Sender, air filter pressure	21675
4	969161	1	Fuse	
5	20886108	1	Pressure sensor, oil pressure/temperature	
6	20886108	1	Pressure sensor, fuel pressure	
7	24424110	1	Sender, level	
8	20796744	1	Pressure sensor, crankcase pressure	
9	20513343	1	Tachometer sensor, flywheel	
10	20513340	1	Temperature sensor, coolant water temp.	
11	874673	1	Pressure monitor, piston cooling	
12	20513343	1	Tachometer sensor, camshaft gear	
13	20889280	1	Temperature sensor, exhaust	
14	3809463	1	Decal	

TAD1640GE, TAD1641GE, TAD1642GE, TWD1643GE



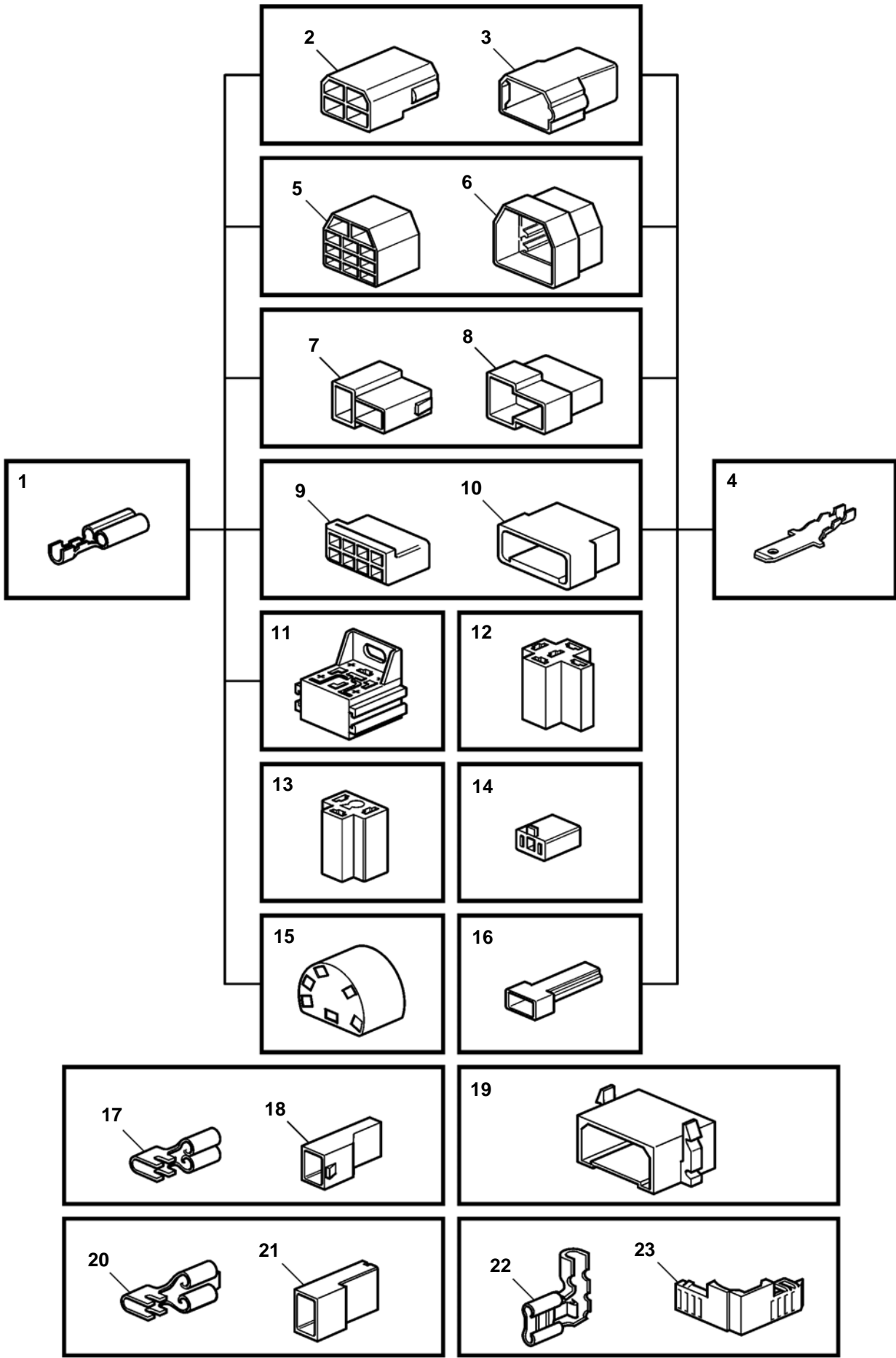
TAD1640GE, TAD1641GE, TAD1642GE, TWD1643GE

REF	PART NO.	DESCRIPTION	NOTES
1	970624	Cable, type RK	1,5sq.mm, BLACK
	970626	Cable, type RK	1,5sq.mm, RED
	970661	Cable, type R2	1,5sq.mm, RED
	970663	Cable, type R2	2,5sq.mm, BLACK
	970698	Cable, type R2	2,5sq.mm, RED
	970700	Cable, type RK	4,0sq.mm, BLACK
		Cable, type RK	6,0sq.mm, BLACK
	970711	Cable, type R2	6,0sq.mm, RED
	954485	Cable, type RK	16,0sq.mm, RED
	954500	Cable, type RK	25,0sq.mm, RED
	954502	Cable, type RK	35,0sq.mm, RED
2	874854	Cable	Non reinforced ship cable approved by classification societies., 2x1,5sq.mm
	863657	Cable	Reinforced ship cable approved by classification societies., 4,0sq.mm, RED
	874855	Cable	Non reinforced ship cable approved by classification societies., 2x2,5sq.mm
	842092	Cable	Non reinforced ship cable approved by classification societies., 3x1,5sq.mm
	874858	Cable	Non reinforced ship cable approved by classification societies., 6,0sq.mm, BLACK
		Cable	Non reinforced ship cable approved by classification societies., 16,0sq.mm, RED
	874861	Cable	Non reinforced ship cable approved by classification societies., 25,0sq.mm, RED
	874862	Cable	Non reinforced ship cable approved by classification societies., 35,0sq.mm, RED
	846639	Cable	Non reinforced ship cable approved by classification societies., 2x1,5sq.mm
	874870	Cable	Non reinforced ship cable approved by classification societies., 2x1,5sq.mm
	872679	Wiring harness	(846346)
	872939	Adapter	(846346)
	874346	Cable	Reinforced ship cable approved by classification societies., RFOU 0,6/1kv
3	948211	Strip clamp	3x1,5sq.mm
	949666	Strip clamp, with mount. hole	3x4,0sq.mm
	948616	Strip clamp	3x6,0sq.mm
	862832	Strip clamp, steel	4x1,5sq.mm
4	858283	Electrical tape	4x2,5sq.mm
5	844280	Cable terminal, battery cable +pole	16x1,5sq.mm
6		Isolator	Red
		Isolator	BLACK
7	954505	Cable terminal, battery cable -pole	D=77mm L=280mm
	954506	Cable terminal, battery cable +pole	D=42mm L=170mm
8	956956	Splice	D=102mm L=362mm
	956958	Splice	1,5-2,5sq.mm, BLUE
	956960	Splice	L=61mm
9	926219	Coupling piece	BLACK
10	944306	Clamp	BLUE
11	829200	Protective cap	0,5-1,0sq.mm, RED
12	1234326	Protective cap	1,5-2,5sq.mm, BLUE
13	960140	Washer	3-6sq.mm, YELLOW
14	941269	Cable grommet	MAX 20sq.mm, 12-POLE
	821053	Rubber bushing	I.D=35mm
	943920	Protecting plug	I.D=40mm
15	20382270	Diode	
16	20382270	Diode	
17	970788	Cable terminal	M5x1,1-2,5sq.mm
	970789	Cable terminal	M6x1,1-2,5sq.mm
		Cable terminal	M10x1,1-2,5sq.mm
18	881492	Cable terminal	M4x1,1-2,5sq.mm
	881493	Cable terminal	M5x1,1-2,5sq.mm
	881508	Cable terminal	M6x1,1-2,5sq.mm
	881494	Cable terminal	M8x1,1-2,5sq.mm
	881504	Cable terminal	M10x1,1-2,5sq.mm
	881506	Cable terminal	M4x2,6-6,0sq.mm
	881495	Cable terminal	M5x2,6-6,0sq.mm
	881496	Cable terminal	M6x2,6-6,0sq.mm
	881497	Cable terminal	M8x2,6-6,0sq.mm
	881498	Cable terminal	M10x2,6-6,0sq.mm
	940331	Cable terminal	M5x6,1-10,0sq.mm
	940332	Cable terminal	M6x6,1-10,0sq.mm
	940333	Cable terminal	M8x6,1-10,0sq.mm
		Cable terminal	M10x6,1-10,0sq.mm
	881512	Cable terminal	M5x10,1-16,0sq.mm
	940335	Cable terminal	M6x10,1-16,0sq.mm
	940336	Cable terminal	M8x10,1-16,0sq.mm
	940337	Cable terminal	M10x10,1-16,0sq.mm

TAD1640GE, TAD1641GE, TAD1642GE, TWD1643GE

REF	PART NO.	DESCRIPTION	NOTES
19	949587	Cable terminal	M10x10mm2
20	8140576	Nut	M4
21	865758	Cable terminal	I.D=12,5 D=23mm
22	944485	Spade terminal	6,3xM5x180
23	839328	Spade terminal	16,3x6,3x0,8
24	881491	Cable terminal	6,3x0,75-2,1sq.mm
25	853015	Cable terminal	For trim instrument., FOR 853866, YASAKI
26	942429	Cable terminal	FOR 853866, YASAKI
27	3829867	Cable terminal	
	3829868	Cable terminal	
28	970777	Cable terminal	
29	968377	Housing	2,8x2 NATURAL
	968379	Housing	2,8x2 GRAY
30	968376	Housing	4,8/2,8x2 NATURAL
	968378	Housing	4,8/2,8x2 GRAY
31	974313	Cable terminal	2,8x0,8x1,1-2,5sq.mm
32	968401	Housing	2,8x8 NATURAL
33	968400	Housing	4,8/2,8x8 NATURAL
34	976256	Switch	2-POLE
35	967713	Housing	3-POLE

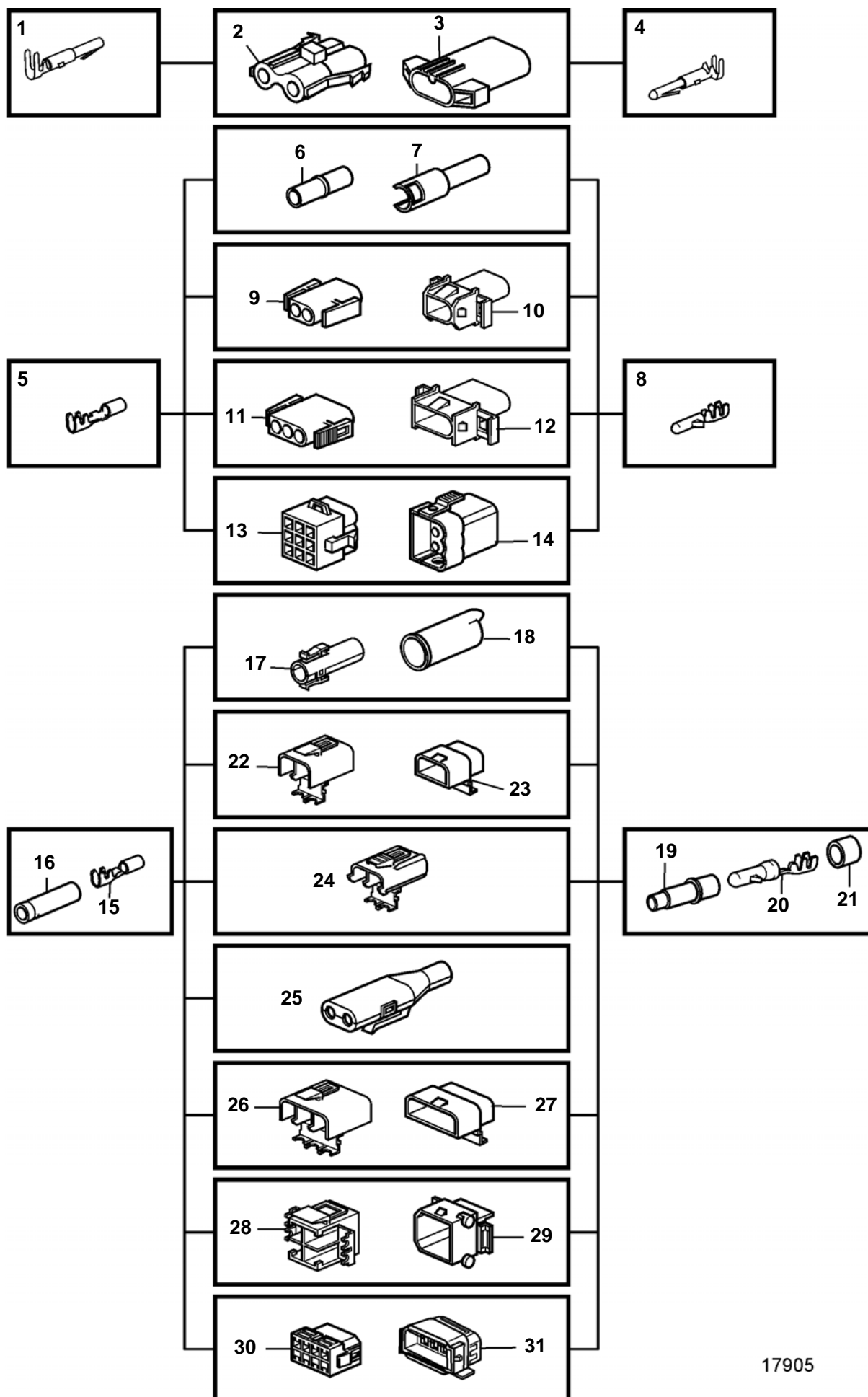
TAD1640GE, TAD1641GE, TAD1642GE, TWD1643GE



TAD1640GE, TAD1641GE, TAD1642GE, TWD1643GE

REF	PART NO.	DESCRIPTION	NOTES
1	973150	Cable terminal	6,3x0,8x1,1-2,5sq.mm
	949206	Cable terminal	6,3x0,8x4,0-6,0sq.mm
2	948856	Receptacle housing	6,3x4 NATURAL
3	948855	Tab housing	6,3x4 NATURAL
4	973117	Cable terminal	6,3x0,8x0,5-1,0mm ²
	881487	Cable terminal	6,3x0,8x0,75-2,5sq.mm
	881488	Cable terminal	6,3x0,8x4,0-6,0sq.mm
5	945830	Receptacle housing	6,3x11 NATURAL
6	945831	Tab housing	6,3x11 NATURAL
7	958210	Receptacle housing	6,3x2 BLACK
8	958209	Tab housing	6,3x2 BLACK
9	944076	Receptacle housing	6,3x8 NATURAL
10	948857	Tab housing	6,3x8 NATURAL
11	977184	Tab housing	6,3x5x4,8/2,8x4
12	1214948	Receptacle housing	6,3x5 BLACK
13	945469	Receptacle housing	6,3x3 BLACK
14	1578937	Receptacle housing	6,3x2 NATURAL
15	828624	Receptacle housing	6,3x6
16	958207	Tab housing	6,3x1 BLACK
17	949405	Cable terminal	4,8x1,1-2,5sq.mm
18	947848	Receptacle housing	4,8x1 NATURAL
19	944077	Housing	6,3x8 NATURAL
20	881483	Cable terminal	6,3x0,8x1,1-2,5sq.mm
	881484	Cable terminal	6,3x0,8x4,0-6,0sq.mm
21	949597	Housing	6,3x1 NATURAL
	943511	Receptacle housing	6,3x1 NATURAL
22	881489	Cable terminal	6,3x0,8x1,1-2,5
23	944221	Receptacle housing	6,3x1 NATURAL

TAD1640GE, TAD1641GE, TAD1642GE, TWD1643GE

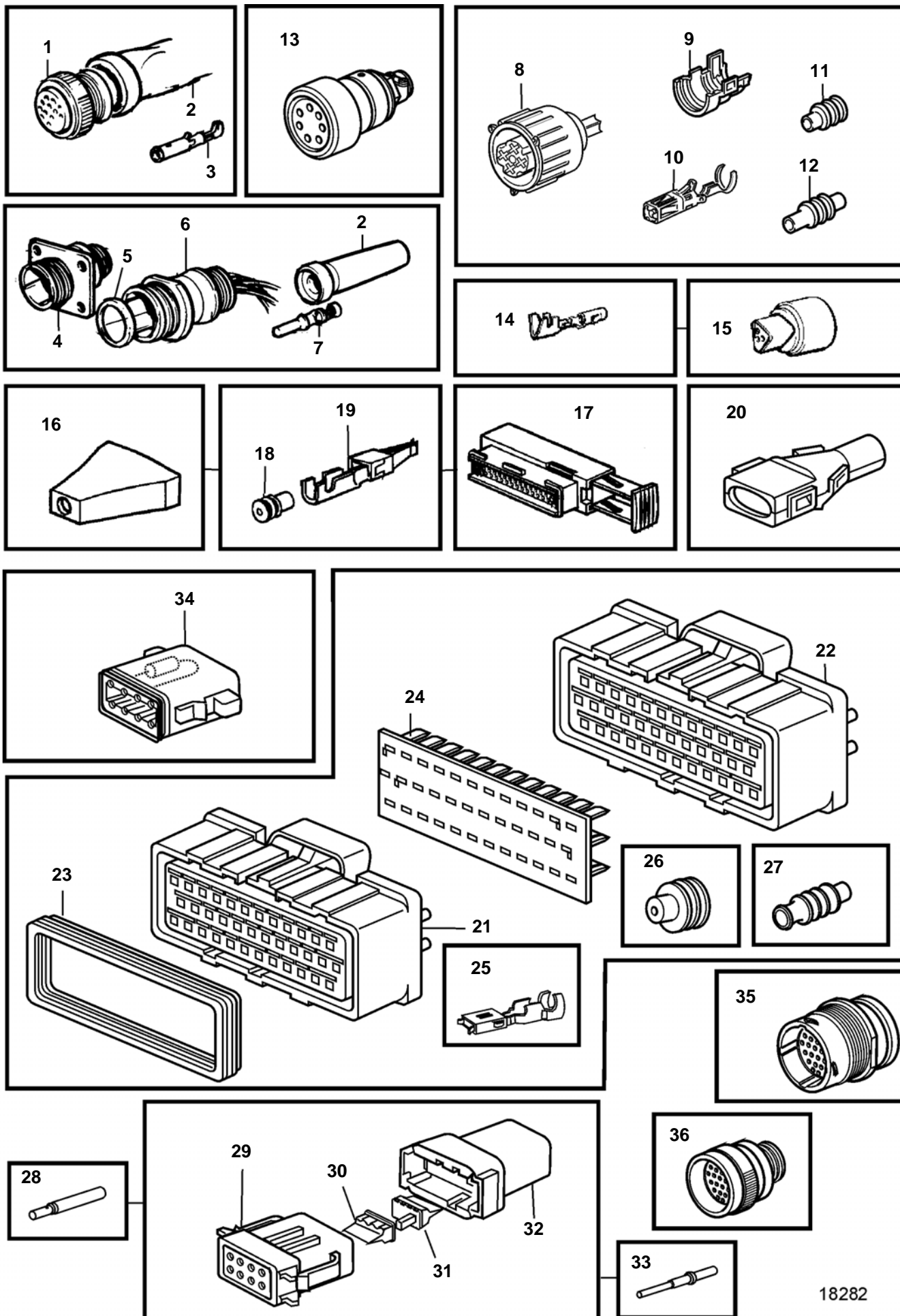


17905

TAD1640GE, TAD1641GE, TAD1642GE, TWD1643GE

REF	PART NO.	DESCRIPTION	NOTES
1	946038	Cable terminal	2,1x0,5-1mm ²
2	944224	Receptacle housing	2-POLE
3	944223	Receptacle housing	2-POLE
4		Cable terminal	Not marketed by Volvo Penta., 2,1x0,5-1mm ²
5	965822	Cable terminal	3,5x1,1-2,5sq.mm
	948289	Cable terminal	3,5x2,5-4,0sq.mm
6	949584	Insulator	3,5x1 NATURAL
7	949583	Insulator	3,5x1 NATURAL
8	969831	Cable terminal	3,5x0,5-1mm ²
	965824	Cable terminal	3,5x1,1-2,5sq.mm
	965825	Cable terminal	3,5x2,6-4,0sq.mm
9	948996	Receptacle housing	3,5x2 NATURAL
10	948995	Tab housing	3,5x2 NATURAL
11	948296	Housing	3,5x3 NATURAL
12	948297	Insulator	3,5x3 NATURAL
13	948294	Receptacle housing	3,5x9 NATURAL
14	948295	Tab housing	3,5x9 NATURAL
15	949371	Cable terminal	3,5x0,75-1,5mm ²
	1598753	Isolator	3,5x2,5-4,5sq.mm
16	1598753	Isolator	
17	1307035	Insulator	1-POLE
18	1308436	Insulator	1-POLE
19	1608765	Isolator	
20	965824	Cable terminal	3,5x2,5-4,5sq.mm
21	1608766	Seal	
22	1307048	Receptacle housing	2-POLE
23	1307049	Tab housing	2-POLE
24	970753	Receptacle housing	2-POLE
25	1624477	Switch	2-POLE
26	1259828	Housing	3-POLE
27	3523442	Housing	3-POLIG (1259829)
28	1259830	Receptacle housing	4-POLE
29	1259831	Housing	4-POLE
30	966812	Receptacle housing	8-POLE
31	967809	Pin housing	8-POLE

TAD1640GE, TAD1641GE, TAD1642GE, TWD1643GE

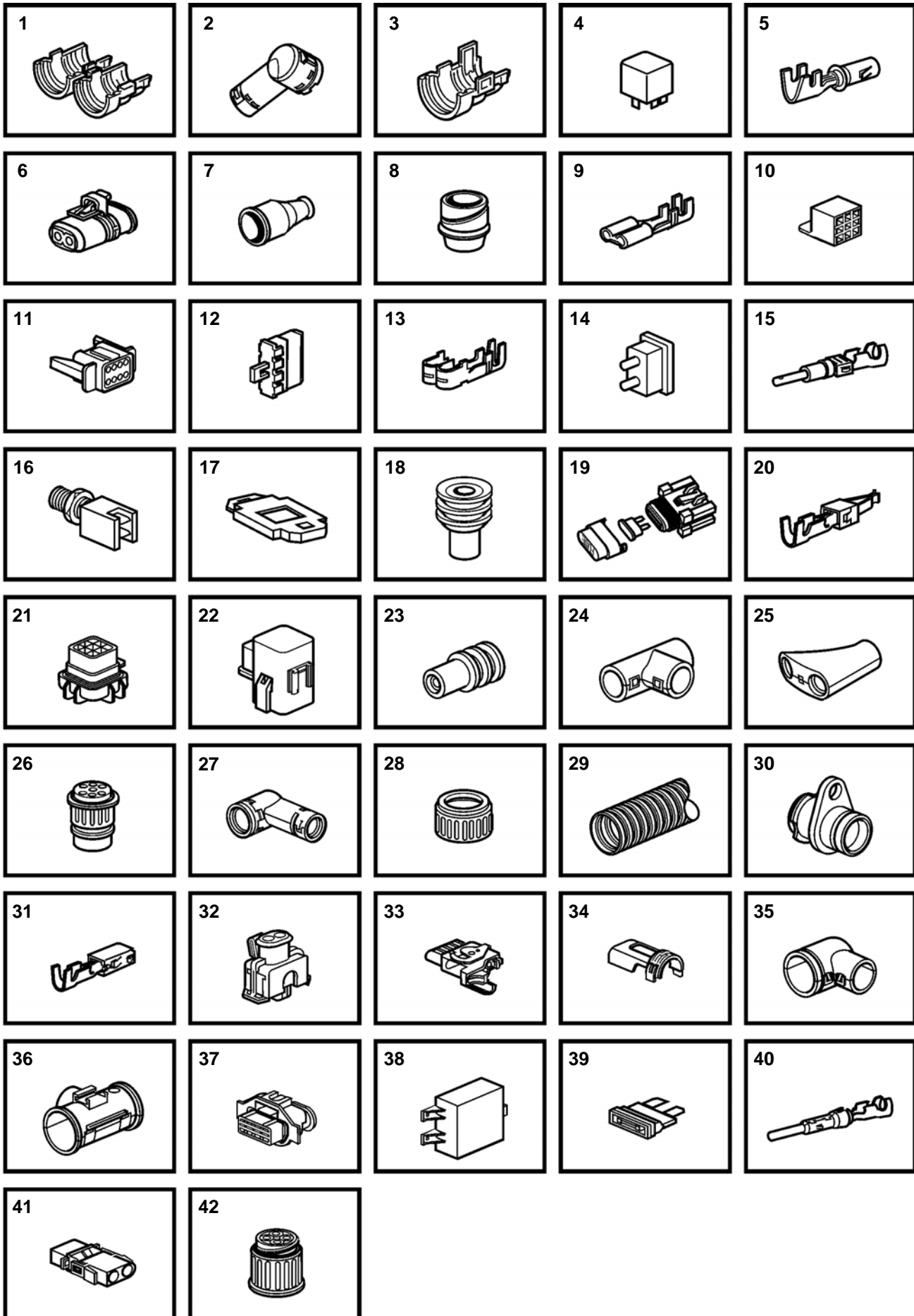


18282

TAD1640GE, TAD1641GE, TAD1642GE, TWD1643GE

REF	PART NO.	DESCRIPTION	NOTES
1	846612	Sleeve connector	16-POLE
2	847005	Sealing collar	L=100mm D=20mm
3	849959	Cable terminal	
4	846611	Sleeve connector	16-POLE
5	846615	Sealing ring	
6	846647	Pin connector	16-POLE
7	849958	Cable terminal	1,6x0,5-1,5sq.mm
8	8159013	Tab housing	4-POLE
9		Adapter	
10	8155901	Cable terminal	
11	8155900	Seal	
12	8155899	Sealing plug	
13	1618737	Switch	7-POLE
14	853521	Cable terminal	
15	853498	Receptacle housing	3-POLE
16	873632	Rubber guard	
17	9148263	Switch	42-POLE
18	970772	Seal	1,2-2,1sq.mm BLUE
	9148107	Seal	1,4-2,0 GREY
	970773	Seal	2,2-3sq.mm WHITE
19	9148135	Switch	1,6x0,5-1sq.mm
	970778	Cable terminal	4,8/2,8x0,5-1sq.mm
	970779	Cable terminal	4,8/2,8x1,1-2,5sq.mm
20	8142100	Adapter	
21	977532	Receptacle housing	24-POLE BLACK
22	977897	Receptacle housing	24-POLIG RED
23		• Seal	
24	977533	Receptacle housing	
25	977539	Cable terminal	
26	1079234	Seal	BROWN
27	977540	Plug	GREY
28	874146	Sleeve	
29	874142	Receptacle housing	8-POLE
30	874144	Key	ORANGE
31	874145	Key	ORANGE
32	874143	Tab housing	8-POLE
33	874147	Pin	
34	874271	Resistor, end terminator	
35	874112	Connector unit	From control panel to engine. 23-pole.
36	874092	Connector unit	From engine to control panel. 23-pole.

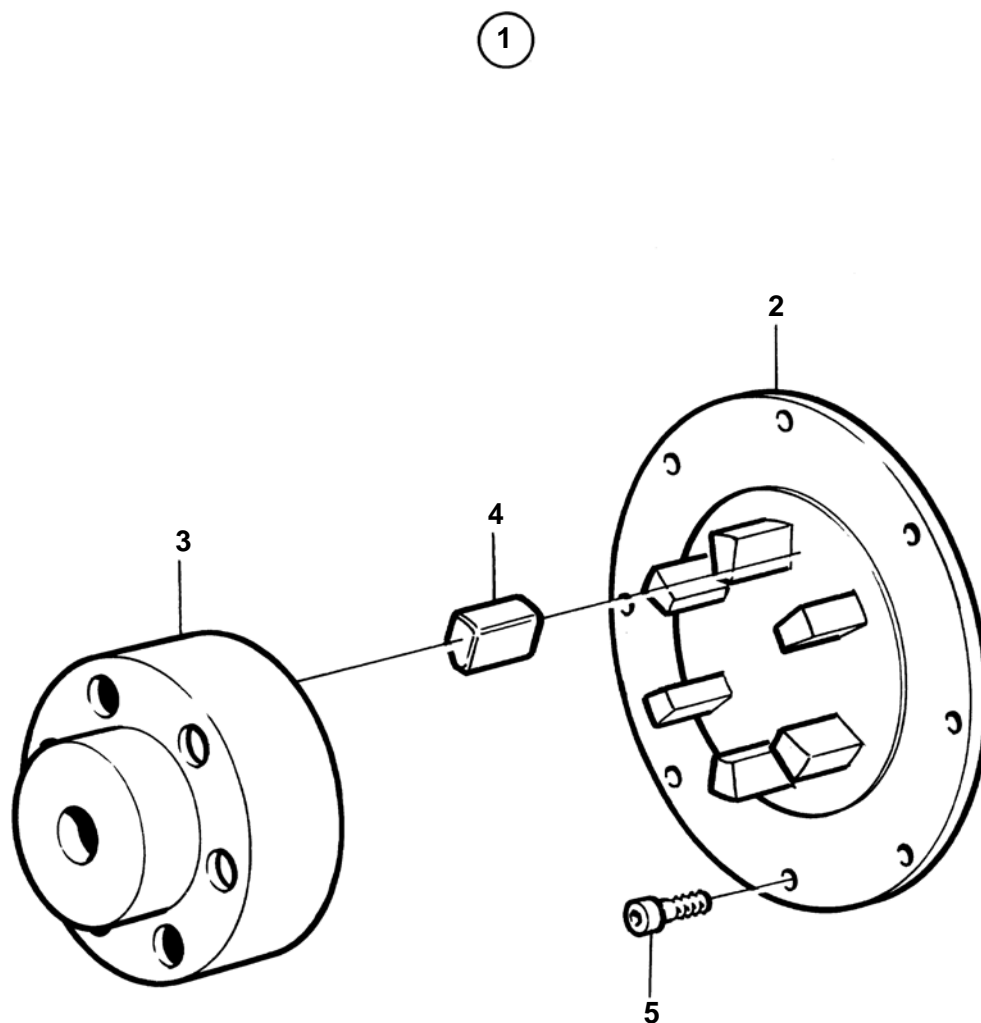
TAD1640GE, TAD1641GE, TAD1642GE, TWD1643GE



TAD1640GE, TAD1641GE, TAD1642GE, TWD1643GE

REF	PART NO.	QTY	DESCRIPTION	NOTES
1	3985597	1	Adapter	L=32mm
	3985620	1	Adapter	
2	3987768	2	Adapter	
3	8159018	2	Adapter	
4	20374662	1	Relay	
5	20375186	12	Cable terminal	
	3963409	3	Cable terminal	
	3986767	X	Cable terminal	O.D=0,3mm
	11039671	3	Cable terminal	
6	20409386	6	Housing	
7	11039397	1	Rubber sleeve	
8	1079283	1	Connector	
9	973122	5	Cable terminal	
10	973121	1	Cable terminal	
11	874114	1	Connector unit	
12	874115	1	Key	
13	874220	2	Cable terminal	
14	874250	2	Pin	FOR 874114
15	874033	6	Cable terminal	
	192396	X	Cable terminal	
16	873959	1	Breaker	STOP
17	873944	1	Retainer	FOR FUSE 980555
18	873854	2	Sealing sleeve	
19	874111	1	Fuse holder	10 AMP
20	3587154	3	Cable terminal	
	3587151	1	Cable terminal	
21	3587172	1	Lower section	
22	3587173	1	Box	
23	3587461	X	Seal	
	3587158	1	Seal	
	3587170	3	Seal	
	970771	X	Seal	I.D=3,4mm Y.D=6,0mm
	8159012	X	Seal	I.D=0,1mm Y.D=3,9mm
24	9806110	2	Coupling piece	
	3171511	X	Coupling piece	D=10mm
	3171768	X	Coupling piece	D=13mm
	7807398	1	Coupling piece	
	7807403	1	Coupling piece	
25	3943200	2	Branch pipe	L=68,8mm
	3986692	1	Coupling piece	
	3987598	1	Branch pipe	L=48,2mm
	3988390	1	Branch pipe	L=57,9mm
	3986692	1	Coupling piece	
26	3963412	1	Receptacle housing	
27	3985598	1	Adapter	D=25,8mm
	3987766	2	Adapter	D=24mm
28	8141886	1	Adapter	D=22mm
29	874558	X	Hose	I.D=8,5mm
	874559	X	Hose	I.D=10mm
	874560	X	Hose	I.D=13mm
	874561	X	Hose	I.D=17mm
	874562	X	Hose	I.D=22mm
	874563	X	Hose	I.D=26mm
30	20429993	1	Grommet	
31	8155903	X	Cable terminal	
32	874368	1	Switch	
33	20429872	1	Housing	
34	20429873	X	Outer casing	
35	20450150	1	Adapter	
36	3943090	X	Coupling piece	
37	874456	1	Switch	
38	881788	X	Cable terminal	
39	969161	1	Fuse	10A
40	984945	X	Cable terminal	(3963408)
41	948995	1	Tab housing	
42	8159013	X	Tab housing	

TAD1640GE, TAD1641GE, TAD1642GE, TWD1643GE

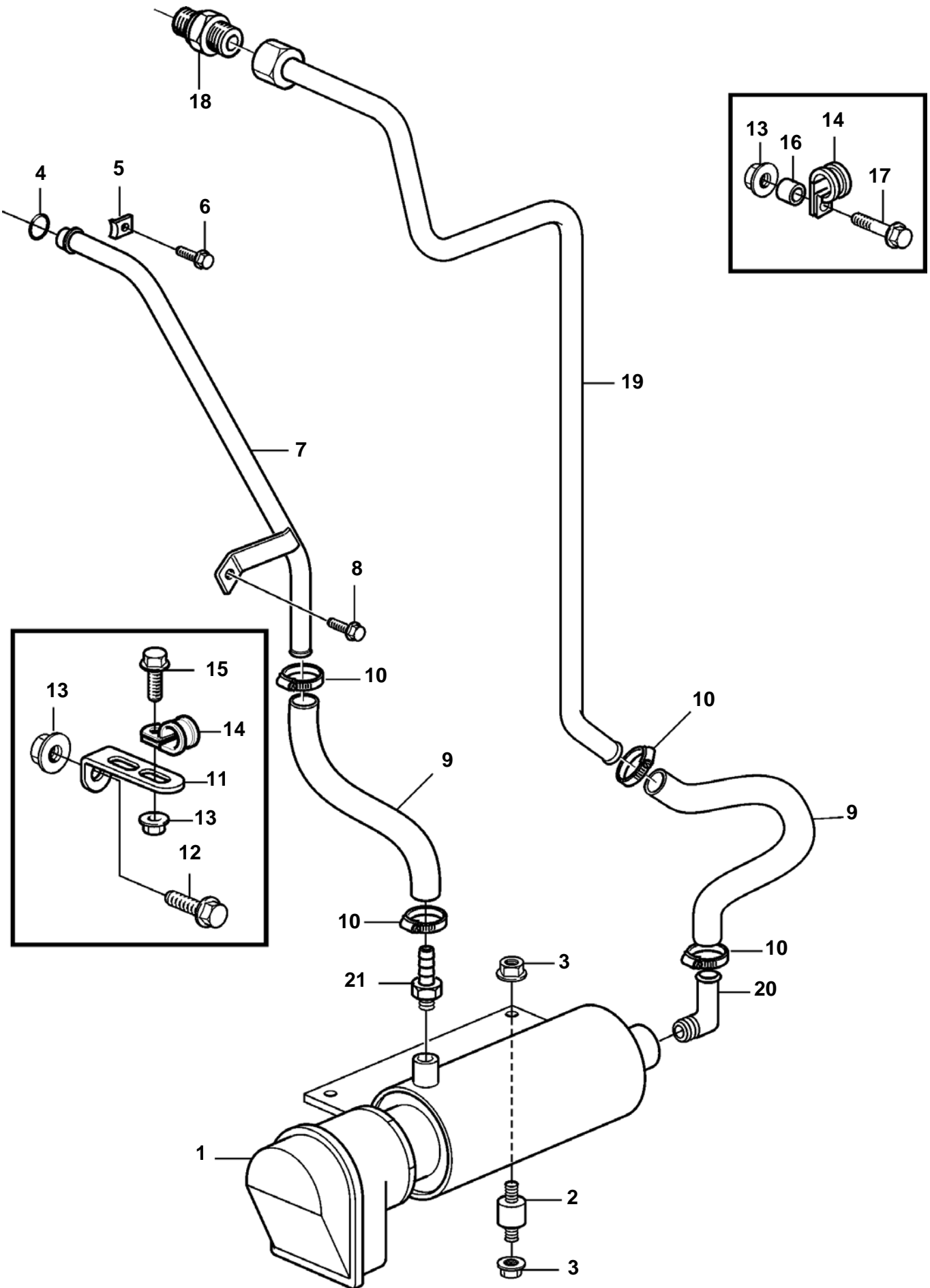


9731

TAD1640GE, TAD1641GE, TAD1642GE, TWD1643GE

REF	PART NO.	QTY	DESCRIPTION	NOTES
1		1	Elastic clutch	CF D-275
2	864155	1	• Companion flange	
3	864156	1	• Hub	
4	864157	1	• Rubber cushion, kit	Contains 16 pcs of rubber cushions.
5	956614	8	• Screw	

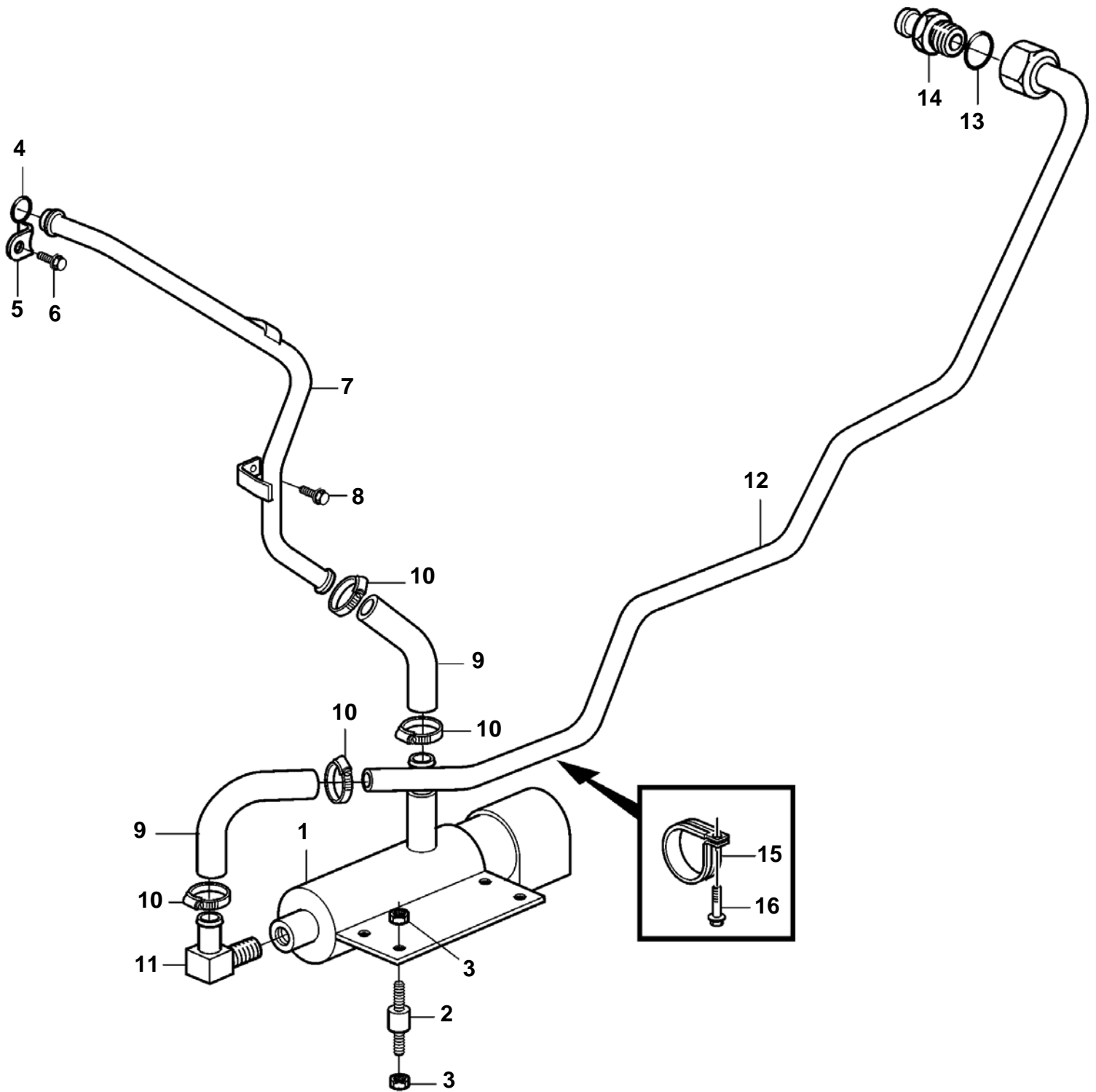
TAD1640GE, TAD1641GE, TAD1642GE



TAD1640GE, TAD1641GE, TAD1642GE

REF	PART NO.	QTY	DESCRIPTION	NOTES
1	3828447	1	Engine heater	220-240V, 750W
	3828643	1	Engine heater	220-240V, 2000W
2	866461	4	Vibration damper	
3	945407	8	Flange nut	
4	1547252	1	Sealing ring	
5	1546531	1	Lock brace	
6	946544	1	Flange screw	
7	3830493	1	Pipe	Replaced by pipe 3884715 och hose 943369
	3884715	1	Water pipe	
8		1	Screw	
9	943369	X	Hose	
10	961666	4	Hose clamp	
11	965555	1	Bracket	
12	946173	1	Flange screw	
13	945408	3	Flange nut	
14	945081	2	Clamp	
15	946440	1	Flange screw	
16	829653	1	Spacer sleeve	
17	946470	1	Flange screw	
18	982254	1	Nipple	
19	3587616	1	Pipe	
20	961611	1	Elbow nipple	
21	943268	1	Hose nipple	

TWD1643GE

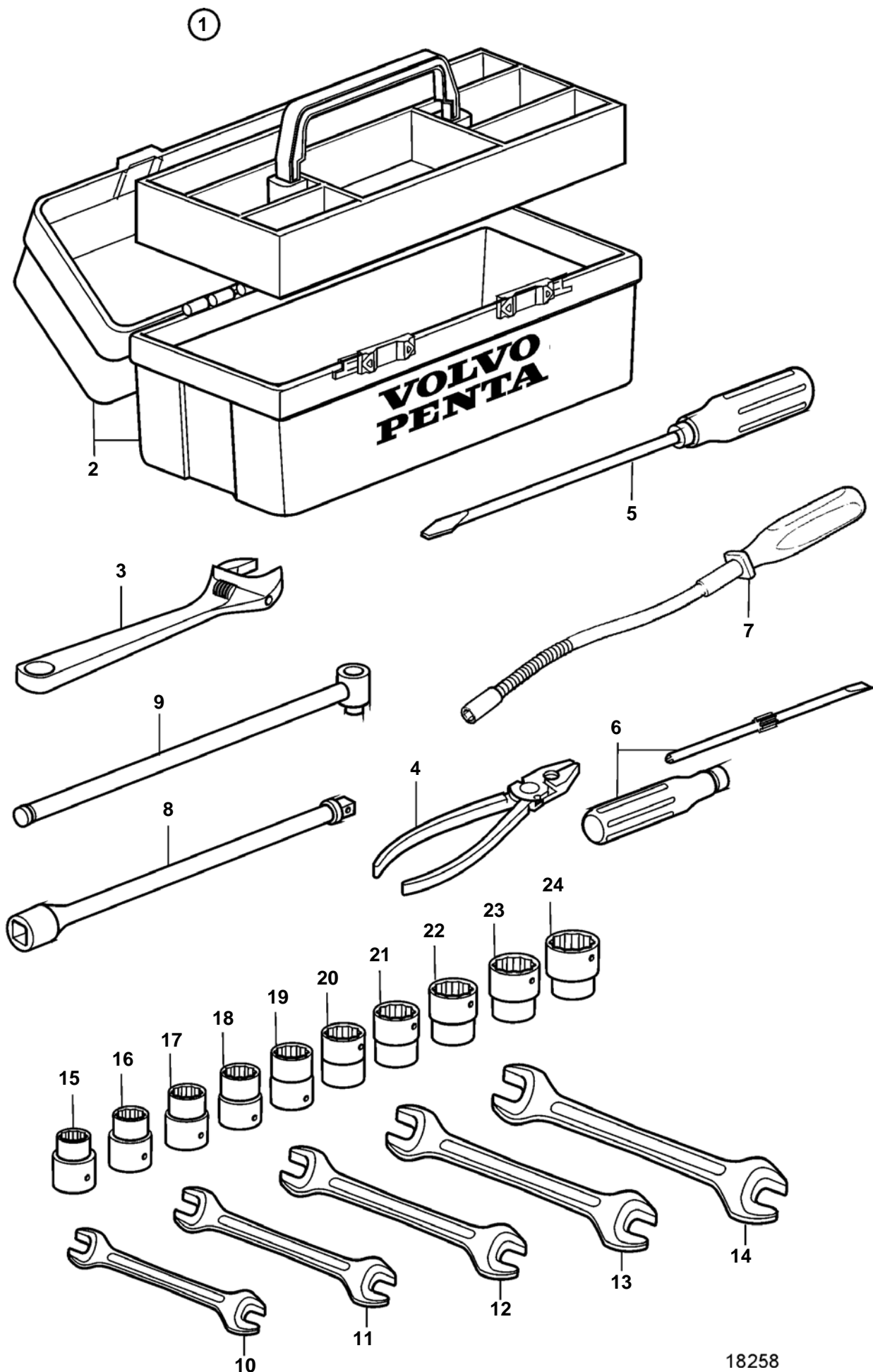


23721

TWD1643GE

REF	PART NO.	QTY	DESCRIPTION	NOTES
1	3828447	1	Engine heater	220-240V, 750W
	3828643	1	Engine heater	220-240V, 2000W
2	866461	4	Vibration damper	
3	945407	8	Flange nut	
4	1547252	1	Sealing ring	
5	1546531	1	Lock brace	
6	946440	1	Flange screw	
7	3884767	1	Pipe	
8	947107	1	Flange screw	
9	943369	X	Hose	
10	943474	4	Hose clamp	
11	961611	1	Elbow nipple	
12	3884765	1	Pipe	
13	957185	1	Gasket	
14	982254	1	Nipple	
15	1545432	2	Clamp	
16	946440	2	Flange screw	

TAD1640GE, TAD1641GE, TAD1642GE



TAD1640GE, TAD1641GE, TAD1642GE

REF	PART NO.	QTY	DESCRIPTION	NOTES
1	3832808	1	Tool kit	
2	3841091	1	• Tool box	(842021)
3		1	• Adjustable wrench	
4		1	• Pliers	
5	804771	1	• Screwdriver	
6		1	• Screwdriver	
7	884573	1	• Tool	
8		1	• Extension	
9		1	• Jointed handle	
10		1	• Open-end wrench	10-11mm
11		1	• Open-end wrench	12-13mm
12		1	• Open-end wrench	14-15mm
13		1	• Open-end wrench	17-19mm
14		1	• Open-end wrench	22-24mm
15		1	• Sleeve	10mm
16		1	• Sleeve	11mm
17		1	• Sleeve	12mm
18		1	• Sleeve	13mm
19		1	• Sleeve	14mm
20		1	• Sleeve	15mm
21		1	• Sleeve	17mm
22		1	• Sleeve	19mm
23		1	• Sleeve	22mm
24		1	• Sleeve	30mm

TAD1640GE

REF	PART NO.	QTY	DESCRIPTION	SEE SEC.	NOTES
1	3886754	6	Cylinder liner kit	7639	
	3589667	6	· Piston ring kit		
	20520607	6	· Sealing ring kit		
	8131232	6	· Piston pin		
	945483	12	· Snap ring		
		6	· Cylinder liner		
		6	· Piston		
2					
	3589667	6	Piston ring kit		
		6	· Piston ring		
		6	· Compression ring		
		6	· Oil scraper ring		
3	20520607	6	Sealing ring kit, cylinder liner		
		6	· Sealing ring		
		6	· Sealing ring		
		6	· Sealing ring		
4					
	20586595	7	Main bearing kit		SN-002476., Std
	20578851	6	Main bearing kit		SN002477-., Std
	20586596	7	Main bearing kit		SN-002476., O.S=0,25mm
	20700881	6	Main bearing kit		SN002477-., O.S=0,25mm
	20586597	7	Main bearing kit		SN-002476., O.S=0,50mm
	20700882	6	Main bearing kit		SN002477-., O.S=0,50mm
		6	Main bearing kit		SN002477-., O.S=0,75mm
	20586599	7	Main bearing kit		SN-002476., O.S=1,00mm
	20700886	6	Main bearing kit		SN002477-., O.S=1,00mm
	20578853	1	Main bearing kit		SN002477- Bearing no 7., Std
	20700890	1	Main bearing kit		SN002477- Bearing no 7., O.S=0,25mm
	20700891	1	Main bearing kit		SN002477- Bearing no 7., O.S=0,50mm
	20700893	1	Main bearing kit		SN002477- Bearing no 7., O.S=1,00mm
5	20586602	6	Big end bearing kit		Std
	20586603	6	Big end bearing kit		O.S=0,25mm
	20586604	6	Big end bearing kit		O.S=0,50mm
	20586606	6	Big end bearing kit		O.S=1,00mm
6					
	270929	1	Thrust washer kit		Std
	270930	1	Thrust washer kit		O.S=0,10mm
	270931	1	Thrust washer kit		O.S=0,20mm
7	276630	1	Camshaft bearing kit, camshaft		Std
	276631	1	Camshaft bearing kit, camshaft		O.S=0,25mm
	276632	1	Camshaft bearing kit, camshaft		O.S=0,50mm
	276633	1	Camshaft bearing kit, camshaft		O.S=0,75mm
8					
9	3184068	1	Bearing housing, camshaft		
	3184012	1	· Bearing housing, camshaft		Rear
	3184015	5	· Bearing housing, camshaft		Cylinder 2-6
	3184018	1	· Bearing housing, camshaft		Front
10					
11	20503200	1	Camshaft bearing kit		Std
	20503201	1	Camshaft bearing kit		O.S=0,25mm
	20503202	1	Camshaft bearing kit		O.S=0,50mm
	20503203	1	Camshaft bearing kit		O.S=0,75mm
12					
13	20523555	1	Shim		TH = 0,2mm
	20523556	1	Shim		TH = 0,3mm
	20523557	1	Shim		TH=0,5mm
14					
15	85110558	1	Copper sleeve kit, fuel injector		(85104134)
16					
17	3589674	1	De-carbonizing kit, decarbonizing		
	20736230	1	· Sealing strip		
	8131799	24	· Valve stem seal		
	20536487	6	· O-ring		(3165747)
18	3840397	1	Overhaul kit, cylinder head		SN-2016002476

TAD1640GE

REF	PART NO.	QTY	DESCRIPTION	SEE SEC.	NOTES
18	20735572	12	• Inlet valve		
	20513285	12	• Exhaust valve		
	8170995	48	• Valve cotter		
	20916916	24	• Valve guide		
	3965955	12	• Valve seat, intake		
	8131798	12	• Valve seat, exhaust		
19	3886521	1	Overhaul kit, cylinder head		SN2016002477-
	20739057	12	• Inlet valve		
	20513285	12	• Exhaust valve		
	8170995	48	• Valve cotter		
	20916916	24	• Valve guide		
	20709467	12	• Valve seat, intake		
	20564028	12	• Valve seat, exhaust		
20					
21	3589670	1	Gasket kit, inlet, exhaust pipe		
		1	• Seal		
	477314	2	• Gasket		
	975675	2	• O-ring		
	949647	2	• O-ring		
	20744865	6	• Gasket		(8131215)
	11158143	2	• Sealing ring		
	1161231	1	• Sealant		
22					
23	3589673	1	Gasket kit, connection, turbo		
	20784537	1	• Gasket		(470939)
	420641	1	• Gasket		
	470993	1	• Gasket		
	469601	1	• Sealing ring		
	1547255	1	• Sealing ring		
	948980	1	• O-ring		
24					
25	3589675	1	Gasket kit, overhaul		
	11994	2	• Gasket		
	11996	9	• Gasket		
	11998	6	• Gasket		
	1543578	1	• Sealing ring		
	1547252	3	• Sealing ring		
	85108423	1	• Crankshaft seal		
	1677370	2	• Sealing ring		
	18813	1	• Gasket		
	20818346	1	• Gasket		
	85108352	1	• Sealing ring		(1543896)
	20823322	1	• Gasket		(20546571)
	20526428	1	• Sealing ring		
	20551483	2	• Sealing ring		
	20579690	1	• Gasket		
	20555696	4	• Sealing ring		(421629)
	20799996	1	• Sealing ring		(425137)
	469846	3	• Sealing ring		
	471708	1	• Sealing ring		
	477314	2	• Gasket		
	4804167	1	• Gasket		
	8131070	1	• Sealing strip		
	8131097	1	• Sealing ring		
	20734156	1	• Sealing strip		
	20815558	1	• Sealing strip		(20747434)
	8131154	1	• Sealing ring		
	8131970	2	• Seal		
	20572441	2	• Seal		
	943177	1	• O-ring		
	944126	1	• O-ring		
	947281	7	• Gasket		
	947627	2	• Gasket		
	947629	3	• Gasket		
	948977	2	• O-ring		
	949187	2	• O-ring		
	949722	1	• O-ring		

TAD1640GE

REF	PART NO.	QTY	DESCRIPTION	SEE SEC.	NOTES
25	949656	3	• O-ring		
	949659	3	• O-ring		
	955982	6	• O-ring		
	968208	1	• O-ring		
	969011	10	• Gasket		
	974673	1	• O-ring		
	975675	1	• O-ring		
	20723207	1	• Sealing ring		
	977030	1	• O-ring		
	979099	1	• Gasket		
	982721	2	• Gasket		
	984127	1	• O-ring		
	466922	6	• O-ring		
	20818346	1	• Gasket		
	1547255	1	• Sealing ring		
	18677	2	• Gasket		
	20869259	2	• Gasket		
	20852762	4	• Gasket		
	20852764	14	• Gasket		
	20852765	22	• Gasket		
26	3840395	1	Overhaul kit, reconditioning		SN-2016002476
	3886754	6	• Cylinder liner kit		
	20586595	7	• Main bearing kit		
	270929	1	• Thrust washer kit		
	20586602	6	• Big end bearing kit		
	3589673	1	• Gasket kit		
	20738123	1	• Cyl.head.gasket		
	85110558	6	• Copper sleeve kit		
	3589670	1	• Gasket kit, inlet, exhaust pipe		
	3589675	1	• Gasket kit, overhaul		
	3589674	1	• De-carbonizing kit		
	276630	6	• Camshaft bearing kit		
	20503200	1	• Camshaft bearing kit		
27	3840396	1	Overhaul kit, reconditioning		SN2016002477-
	3886754	6	• Cylinder liner kit		
	20578851	6	• Main bearing kit		
	20578853	1	• Main bearing kit		
	270929	1	• Thrust washer kit		
	20586602	6	• Big end bearing kit		
	3589673	1	• Gasket kit, connection, turbo		
	20738123	1	• Cyl.head.gasket		
	85110558	6	• Copper sleeve kit		
	3589670	1	• Gasket kit		
	3589675	1	• Gasket kit, overhaul		
	3589674	1	• De-carbonizing kit		
	276630	6	• Camshaft bearing kit		
	20503200	1	• Camshaft bearing kit		

TAD1641GE, TAD1642GE

REF	PART NO.	QTY	DESCRIPTION	SEE SEC.	NOTES
1	3886442	6	Cylinder liner kit	7639	
	3886753	6	· Piston ring kit		
	20520607	6	· Sealing ring kit		
	8131232	6	· Piston pin		
	945483	12	· Snap ring		
		6	· Cylinder liner		
		6	· Piston		
2					
	3886753	6	Piston ring kit		
		6	· Piston ring		
		6	· Compression ring		
		6	· Oil scraper ring		
3	20520607	6	Sealing ring kit, cylinder liner		
		6	· Sealing ring		
		6	· Sealing ring		
		6	· Sealing ring		
4					
	20586595	7	Main bearing kit		SN-002476., Std
	20578851	6	Main bearing kit		SN002477-., Std
	20586596	7	Main bearing kit		SN-002476., O.S=0,25mm
	20700881	6	Main bearing kit		SN002477-., O.S=0,25mm
	20586597	7	Main bearing kit		SN-002476., O.S=0,50mm
	20700882	6	Main bearing kit		SN002477-., O.S=0,50mm
		6	Main bearing kit		SN002477-., O.S=0,75mm
	20586599	7	Main bearing kit		SN-002476., O.S=1,00mm
	20700886	6	Main bearing kit		SN002477-., O.S=1,00mm
	20578853	1	Main bearing kit		SN002477- Bearing no 7., Std
	20700890	1	Main bearing kit		SN002477- Bearing no 7., O.S=0,25mm
	20700891	1	Main bearing kit		SN002477- Bearing no 7., O.S=0,50mm
	20700893	1	Main bearing kit		SN002477- Bearing no 7., O.S=1,00mm
5	20586602	6	Big end bearing kit		Std
	20586603	6	Big end bearing kit		O.S=0,25mm
	20586604	6	Big end bearing kit		O.S=0,50mm
	20586606	6	Big end bearing kit		O.S=1,00mm
6					
	270929	1	Thrust washer kit		Std
	270930	1	Thrust washer kit		O.S=0,10mm
	270931	1	Thrust washer kit		O.S=0,20mm
7	276630	1	Camshaft bearing kit, camshaft		Std
	276631	1	Camshaft bearing kit, camshaft		O.S=0,25mm
	276632	1	Camshaft bearing kit, camshaft		O.S=0,50mm
	276633	1	Camshaft bearing kit, camshaft		O.S=0,75mm
8					
9	3184068	1	Bearing housing, camshaft		
	3184012	1	· Bearing housing, camshaft		Rear
	3184015	5	· Bearing housing, camshaft		Cylinder 2-6
	3184018	1	· Bearing housing, camshaft		Front
10					
11	20503200	1	Camshaft bearing kit		Std
	20503201	1	Camshaft bearing kit		O.S=0,25mm
	20503202	1	Camshaft bearing kit		O.S=0,50mm
	20503203	1	Camshaft bearing kit		O.S=0,75mm
12					
13	20523555	1	Shim		TH = 0,2mm
	20523556	1	Shim		TH = 0,3mm
	20523557	1	Shim		TH=0,5mm
14					
15	85110558	1	Copper sleeve kit, fuel injector		(85104134)
16					
17	3589674	1	De-carbonizing kit, decarbonizing		
	20736230	1	· Sealing strip		
	8131799	24	· Valve stem seal		
	20536487	6	· O-ring		(3165747)
18	3840397	1	Overhaul kit, cylinder head		SN-2016002476

TAD1641GE, TAD1642GE

REF	PART NO.	QTY	DESCRIPTION	SEE SEC.	NOTES
18	20735572	12	• Inlet valve		
	20513285	12	• Exhaust valve		
	8170995	48	• Valve cotter		
	20916916	24	• Valve guide		
	3965955	12	• Valve seat, intake		
	8131798	12	• Valve seat, exhaust		
	3886521	1	Overhaul kit, cylinder head		SN2016002477-
	20739057	12	• Inlet valve		
	20513285	12	• Exhaust valve		
	8170995	48	• Valve cotter		
	20916916	24	• Valve guide		
	20709467	12	• Valve seat, intake		
	20564028	12	• Valve seat, exhaust		
19	3589670	1	Gasket kit, inlet, exhaust pipe		
		1	• Seal		
	477314	2	• Gasket		
	975675	2	• O-ring		
	949647	2	• O-ring		
	20744865	6	• Gasket		(8131215)
	11158143	2	• Sealing ring		
	1161231	1	• Sealant		
20					
21	3589673	1	Gasket kit, connection, turbo		
	20784537	1	• Gasket		(470939)
	420641	1	• Gasket		
	470993	1	• Gasket		
	469601	1	• Sealing ring		
	1547255	1	• Sealing ring		
	948980	1	• O-ring		
22					
23	3589675	1	Gasket kit, overhaul		
	11994	2	• Gasket		
	11996	9	• Gasket		
	11998	6	• Gasket		
	1543578	1	• Sealing ring		
	1547252	3	• Sealing ring		
	85108423	1	• Crankshaft seal		
	1677370	2	• Sealing ring		
	18813	1	• Gasket		
	20818346	1	• Gasket		
	85108352	1	• Sealing ring		(1543896)
	20823322	1	• Gasket		(20546571)
	20526428	1	• Sealing ring		
	20551483	2	• Sealing ring		
	20579690	1	• Gasket		
	20555696	4	• Sealing ring		(421629)
	20799996	1	• Sealing ring		(425137)
	469846	3	• Sealing ring		
	471708	1	• Sealing ring		
	477314	2	• Gasket		
	4804167	1	• Gasket		
	8131070	1	• Sealing strip		
	8131097	1	• Sealing ring		
	20734156	1	• Sealing strip		
	20815558	1	• Sealing strip		(20747434)
	8131154	1	• Sealing ring		
	8131970	2	• Seal		
	20572441	2	• Seal		
	943177	1	• O-ring		
	944126	1	• O-ring		
	947281	7	• Gasket		
	947627	2	• Gasket		
	947629	3	• Gasket		
	948977	2	• O-ring		
	949187	2	• O-ring		
	949722	1	• O-ring		

TAD1641GE, TAD1642GE

REF	PART NO.	QTY	DESCRIPTION	SEE SEC.	NOTES	
23	949656	3	• O-ring			
	949659	3	• O-ring			
	955982	6	• O-ring			
	968208	1	• O-ring			
	969011	10	• Gasket			
	974673	1	• O-ring			
	975675	1	• O-ring			
	20723207	1	• Sealing ring			
	977030	1	• O-ring			
	979099	1	• Gasket			
	982721	2	• Gasket			
	984127	1	• O-ring			
	466922	6	• O-ring			
	20818346	1	• Gasket			
	1547255	1	• Sealing ring			
	18677	2	• Gasket			
	20869259	2	• Gasket			
	20852762	4	• Gasket			
	20852764	14	• Gasket			
	20852765	22	• Gasket			
	24	3840392	1	Overhaul kit, reconditioning		SN-2016002476
		3886442	6	• Cylinder liner kit		
		20586595	7	• Main bearing kit		
270929		1	• Thrust washer kit			
20586602		6	• Big end bearing kit			
3589673		1	• Gasket kit, connection, turbo			
20738123		1	• Cyl.head.gasket			
85110558		1	• Copper sleeve kit			
3589670		1	• Gasket kit, inlet, exhaust pipe			
3589675		1	• Gasket kit, overhaul			
3589674		1	• De-carbonizing kit			
276630		6	• Camshaft bearing kit			
20503200		1	• Camshaft bearing kit			
25	3840394	1	Overhaul kit, reconditioning		SN2016002477-	
	3886442	6	• Cylinder liner kit			
	20578851	6	• Main bearing kit			
	20578853	1	• Main bearing kit			
	270929	1	• Thrust washer kit			
	20586602	6	• Big end bearing kit			
	3589673	1	• Gasket kit, connection, turbo			
	20738123	1	• Cyl.head.gasket			
	85110558	1	• Copper sleeve kit			
	3589670	1	• Gasket kit, inlet, exhaust pipe			
	3589675	1	• Gasket kit, overhaul			
	3589674	1	• De-carbonizing kit			
	276630	6	• Camshaft bearing kit			
20503200	1	• Camshaft bearing kit				

TWD1643GE

REF	PART NO.	QTY	DESCRIPTION	SEE SEC.	NOTES
1	3594319	6	Cylinder liner kit	21874	
	3589667	1	• Piston ring kit		
	20520607	1	• Sealing ring kit		
	8131232	1	• Piston pin		
	945483	2	• Snap ring		
		1	• Cylinder liner		
		1	• Piston		
2					
3	3589667	6	Piston ring kit		
		1	• Piston ring		
		1	• Compression ring		
		1	• Oil scraper ring		
4					
5	20520607	6	Sealing ring kit, cylinder liner		
		1	• Sealing ring		
		1	• Sealing ring		
		1	• Sealing ring		
6					
7	20578851	6	Main bearing kit		Std
	20700881	6	Main bearing kit		O.S=0,25mm
	20700882	6	Main bearing kit		O.S=0,50mm
		6	Main bearing kit		O.S=0,75mm
	20700886	6	Main bearing kit		O.S=1,00mm
8	20578853	1	Main bearing kit		Std, Bearing no 7
	20700890	1	Main bearing kit		O.S=0,25mm, Bearing no 7
	20700891	1	Main bearing kit		O.S=0,50mm, Bearing no 7
	20700893	1	Main bearing kit		O.S=1,00mm, Bearing no 7
9					
10	20586602	6	Big end bearing kit		Std
	20586603	6	Big end bearing kit		O.S=0,25mm
	20586604	6	Big end bearing kit		O.S=0,50mm
	20586606	6	Big end bearing kit		O.S=1,00mm
11					
12	270929	1	Thrust washer kit		Std
	270930	1	Thrust washer kit		O.S=0,10mm
	270931	1	Thrust washer kit		O.S=0,20mm
13					
14	21006109	1	Camshaft bearing kit, camshaft		Std, Rear
	21006103	6	Camshaft bearing kit, camshaft		Std, Cylinder 2-6
15					
16	3184068	1	Bearing housing, camshaft		
	3184012	1	• Bearing housing, camshaft		Rear
	3184015	5	• Bearing housing, camshaft		Cylinder 2-6
	3184018	1	• Bearing housing, camshaft		Front
17					
18	20523555	1	Shim		TH = 0,2mm
	20523556	1	Shim		TH = 0,3mm
	20523557	1	Shim		TH=0,5mm
19					
20	85110558	1	Copper sleeve kit, fuel injector		(85104134)
21					
22	3594341	1	De-carbonizing kit, decarbonizing		
	20736230	1	• Sealing strip		
	8131799	24	• Valve stem seal		
	20536487	6	• O-ring		(3165747)
23					
24	3886521	1	Overhaul kit, cylinder head		
	20739057	12	• Inlet valve		
	20513285	12	• Exhaust valve		
	8170995	48	• Valve cotter		
	20916916	24	• Valve guide		
	20709467	12	• Valve seat, intake		
	20564028	12	• Valve seat, exhaust		
25	3594443	1	Gasket kit, inlet, exhaust pipe		
	1161231	1	• Sealant		304ml
	477314	1	• Gasket		
	3812484	4	• O-ring		

TWD1643GE

REF	PART NO.	QTY	DESCRIPTION	SEE SEC.	NOTES
25	975675	4	• O-ring		
	20744865	6	• Gasket		(8131215)
	20883460	2	• Sealing ring		
	975610	1	• O-ring		
	945512	1	• O-ring		
26					
27	3594342	1	Gasket kit, connection, turbo		
	20784537	4	• Gasket		(470939)
	420641	1	• Gasket		
	969011	1	• Gasket		
	470993	2	• Gasket		
	469601	2	• Sealing ring		
	1547255	1	• Sealing ring		
28					
29	3589675	1	Gasket kit, overhaul, reconditioning		
	11994	2	• Gasket		
	11996	9	• Gasket		
	11998	6	• Gasket		
	1543578	1	• Sealing ring		
	1547252	3	• Sealing ring		
	85108423	1	• Crankshaft seal		
	1677370	2	• Sealing ring		
	18813	1	• Gasket		
	20818346	1	• Gasket		
	85108352	1	• Sealing ring		(1543896)
	20823322	1	• Gasket		(20546571)
	20526428	1	• Sealing ring		
	20551483	2	• Sealing ring		
	20579690	1	• Gasket		
	20555696	4	• Sealing ring		(421629)
	20799996	1	• Sealing ring		(425137)
	469846	3	• Sealing ring		
	471708	1	• Sealing ring		
	477314	2	• Gasket		
	4804167	1	• Gasket		
	8131070	1	• Sealing strip		
	8131097	1	• Sealing ring		
	20734156	1	• Sealing strip		
	20815558	1	• Sealing strip		(20747434)
	8131154	1	• Sealing ring		
	8131970	2	• Seal		
	20572441	2	• Seal		
	943177	1	• O-ring		
	944126	1	• O-ring		
	947281	7	• Gasket		
	947627	2	• Gasket		
	947629	3	• Gasket		
	948977	2	• O-ring		
	949187	2	• O-ring		
	949722	1	• O-ring		
	949656	3	• O-ring		
	949659	3	• O-ring		
	955982	6	• O-ring		
	968208	1	• O-ring		
	969011	10	• Gasket		
	974673	1	• O-ring		
	975675	1	• O-ring		
	20723207	1	• Sealing ring		
	977030	1	• O-ring		
	979099	1	• Gasket		
	982721	2	• Gasket		
	984127	1	• O-ring		
	466922	6	• O-ring		
	20818346	1	• Gasket		
	1547255	1	• Sealing ring		
	18677	2	• Gasket		
	20869259	2	• Gasket		
	20852762	4	• Gasket		

TWD1643GE

REF	PART NO.	QTY	DESCRIPTION	SEE SEC.	NOTES
29	20852764	14	• Gasket		
	20852765	22	• Gasket		
30	21141911	1	Overhaul kit, reconditioning		
	270929	1	• Thrust washer kit		
	21006109	1	• Camshaft bearing kit		
	21006103	6	• Camshaft bearing kit		
	3594342	1	• Gasket kit		
	3589675	1	• Gasket kit, overhaul		
	3594319	6	• Cylinder liner kit		
	20578851	6	• Main bearing kit		
	20578853	1	• Main bearing kit		
	20586602	6	• Big end bearing kit		
	20738123	1	• Cyl.head.gasket		
	85110558	6	• Copper sleeve kit		
	3594443	1	• Gasket kit		
	3594341	1	• De-carbonizing kit		
	21110401	1	• Sealing kit		

DESCRIPTION	SEE SEC.	NOTES
Cylinder Head SN-2016010024	7631	TAD1640GE, TAD1641GE, TAD1642GE
Cylinder Head SN2016010025-	21772	TAD1640GE, TAD1641GE, TAD1642GE, TWD1643GE
Valve cover	6730	TAD1640GE, TAD1641GE, TAD1642GE
Cylinder Block SN-2016010024	6723	TAD1640GE, TAD1641GE, TAD1642GE
Cylinder Block SN2016010025-	21794	TAD1640GE, TAD1641GE, TAD1642GE, TWD1643GE
Flywheel Housing	6725	TAD1640GE, TAD1641GE, TAD1642GE, TWD1643GE
Adapter Flywheel and Flywheelhousing SAE 0	6972	TAD1640GE, TAD1641GE, TAD1642GE, TWD1643GE
Valve Mechanism	6718	TAD1640GE, TAD1641GE, TAD1642GE
Valve Mechanism	21849	TWD1643GE
Timing Gear	6731	TAD1640GE, TAD1641GE, TAD1642GE, TWD1643GE
Camshaft	6729	TAD1640GE, TAD1641GE, TAD1642GE
Camshaft	21698	TWD1643GE
Crank Mechanism	7638	TAD1640GE
Crank Mechanism	7639	TAD1641GE, TAD1642GE
Crank Mechanism	21874	TWD1643GE
Engine Mounting and Frame	7635	TAD1640GE, TAD1641GE, TAD1642GE
Engine Mounting and Frame	21656	TWD1643GE

DESCRIPTION	SEE SEC.	NOTES
Lubricating System	21657	TAD1640GE, TAD1641GE, TAD1642GE, TWD1643GE
Oil Filter Housing and Oil Filter	6744	TAD1640GE, TAD1641GE, TAD1642GE, TWD1643GE
Oil Drain Pump and Installation Parts, Engine Mounted	6751	TAD1640GE, TAD1641GE, TAD1642GE, TWD1643GE

DESCRIPTION	SEE SEC.	NOTES
Fuel System	21707	TAD1640GE, TAD1641GE, TAD1642GE
Fuel System	21684	TWD1643GE
Fuel Pump	6876	TAD1640GE, TAD1641GE, TAD1642GE, TWD1643GE
Fuel Filter, Components	21694	TAD1640GE, TAD1641GE, TAD1642GE, TWD1643GE
Fuel Cleaner/ Water Separator, Single. Classifiable Fuel System	4487	TAD1640GE, TAD1641GE, TAD1642GE, TWD1643GE
Fuel Cleaner / Water Separator, Twin. Classifiable Fuel System. Later Production	9853	TAD1640GE, TAD1641GE, TAD1642GE, TWD1643GE
Fuel Cleaner/ Water Separator, twin.	4486	TAD1640GE, TAD1641GE, TAD1642GE
Air filter for fuel tank	4688	TAD1640GE, TAD1641GE, TAD1642GE
Unit injector	6733	TAD1640GE
Unit injector	7637	TAD1641GE, TAD1642GE
Unit injector	21666	TWD1643GE
Fuel System	22290	TAD1640GE, TAD1641GE, TAD1642GE, TWD1643GE
Fuel Cleaner/ Water Separator	21750	TAD1640GE, TAD1641GE, TAD1642GE, TWD1643GE

DESCRIPTION	SEE SEC.	NOTES
Intake and Exhaust Manifold	6747	TAD1640GE, TAD1641GE, TAD1642GE
Starter Element	7031	TAD1640GE, TAD1641GE, TAD1642GE
Intake and Exhaust Manifold	21714	TWD1643GE
Starter Element	21715	TWD1643GE
Heat Shield for Exhaust Manifold and Valve cover	6951	TAD1640GE, TAD1641GE, TAD1642GE
Heat Shield for Exhaust Manifold and Valve cover	21925	TWD1643GE
Turbocharger	6778	TAD1640GE
Turbocharger	7640	TAD1641GE, TAD1642GE
Turbocharger	21664	TWD1643GE
Wastegate	21685	TWD1643GE
Heat Shield for Turbo	6904	TAD1640GE, TAD1641GE, TAD1642GE
Heat Shield for Turbo	21670	TWD1643GE
Air Filter with Installation Components	21675	TWD1643GE
Crankhouse Ventilation	6826	TAD1640GE, TAD1641GE, TAD1642GE
Crankcase Ventilation, closed	6842	TAD1640GE, TAD1641GE, TAD1642GE
Crankcase Ventilation, closed	21713	TWD1643GE
Air Filter with Installation Components	6758	TAD1640GE, TAD1641GE, TAD1642GE
Air Filter and Installation Components, Heavy Duty	7641	TAD1640GE, TAD1641GE, TAD1642GE
Muffler	6872	TAD1640GE, TAD1641GE, TAD1642GE
Muffler, Engine Mounted	6776	TAD1640GE, TAD1641GE, TAD1642GE

DESCRIPTION	SEE SEC.	NOTES
Radiator and Fan. Pusher	6774	TAD1640GE, TAD1641GE, TAD1642GE
Radiator with Connection Components. Pusher Fan	7763	TAD1640GE, TAD1641GE, TAD1642GE
Belt Guard	7764	TAD1640GE, TAD1641GE, TAD1642GE
Radiator and Fan	21706	TWD1643GE
Radiator with installation components	21718	TWD1643GE
Belt Guard	21738	TWD1643GE
Oil Cooler, Engine	6907	TAD1640GE, TAD1641GE, TAD1642GE
Oil Cooler, Engine	21881	TWD1643GE
Expansion Tank with Installation Components	7643	TAD1640GE, TAD1641GE, TAD1642GE
Expansion Tank with Connection Components	21749	TWD1643GE
Protection Cover for Expansion Tank	6870	TAD1640GE, TAD1641GE, TAD1642GE
Water Pump, Thermostat Housing and Water Filter, Radiator Cooling	6805	TAD1640GE, TAD1641GE, TAD1642GE
Water Pump, Thermostat Housing and Water Filter, Radiator Cooling	21729	TWD1643GE
Belt Transmission and Belt Tensioner Device	6799	TAD1640GE, TAD1641GE, TAD1642GE
Belt Transmission and Belt Tensioner Device	21885	TWD1643GE
After Cooler and Installation Components	21716	TWD1643GE

DESCRIPTION	SEE SEC.	NOTES
Battery Box	4655	TAD1640GE, TAD1641GE, TAD1642GE, TWD1643GE
Alternator, single mounted	7683	TAD1640GE, TAD1641GE, TAD1642GE
Alternator, single mounted	21722	TWD1643GE
Starter Motor	6884	TAD1640GE, TAD1641GE, TAD1642GE, TWD1643GE
Starter Motor, Components	7746	TAD1640GE, TAD1641GE, TAD1642GE, TWD1643GE
Control Panel, DCU	6945	TAD1640GE, TAD1641GE, TAD1642GE
Control Panel, DCU	21765	TWD1643GE
CIU	9551	TAD1640GE, TAD1641GE, TAD1642GE, TWD1643GE
Control Unit and Connector	6944	TAD1640GE, TAD1641GE, TAD1642GE
Control Unit and Connector	22232	TWD1643GE
LCD Display	7687	TAD1640GE, TAD1641GE, TAD1642GE, TWD1643GE
Electrical System	6950	TAD1640GE, TAD1641GE, TAD1642GE
Electrical System	21745	TWD1643GE
Electrical Materials, Instrument	6965	TAD1640GE, TAD1641GE, TAD1642GE
Electrical Materials, Instrument EVC-A	7686	TAD1640GE, TAD1641GE, TAD1642GE, TWD1643GE
Contacts and Sensors, analog	7688	TAD1640GE, TAD1641GE, TAD1642GE
Contacts and Sensors	6968	TAD1640GE, TAD1641GE, TAD1642GE
Contacts and Sensors	21767	TWD1643GE
Electrical Materials	1963	TAD1640GE, TAD1641GE, TAD1642GE, TWD1643GE
Electrical Materials	1964	TAD1640GE, TAD1641GE, TAD1642GE, TWD1643GE
Electrical Materials	1965	TAD1640GE, TAD1641GE, TAD1642GE, TWD1643GE
Electrical Materials	4415	TAD1640GE, TAD1641GE, TAD1642GE, TWD1643GE
Electrical Materials	7003	TAD1640GE, TAD1641GE, TAD1642GE, TWD1643GE

DESCRIPTION	SEE SEC.	NOTES
Elastic Coupling	476	TAD1640GE, TAD1641GE, TAD1642GE, TWD1643GE

DESCRIPTION	SEE SEC.	NOTES
Engine Heater, Separately Mounted	21907	TAD1640GE, TAD1641GE, TAD1642GE
Engine Heater, Separately Mounted	21699	TWD1643GE
Tool Kit	4743	TAD1640GE, TAD1641GE, TAD1642GE

DESCRIPTION	SEE SEC.	NOTES
Repair Kits	21893	TAD1640GE
Repair Kits	22303	TAD1641GE, TAD1642GE
Repair Kits	21896	TWD1643GE

REF	DESCRIPTION	SEE SEC.
21	Engine	21
22	Lubricating System	22
23	Fuel System	23
25	Intake and Exhaust System	25
26	Cooling System	26
30	Electrical System	30
41	Clutch, Elastic Coupling	41
90	Miscellaneous Equipment	90
99	Repair Kits	99